



# inVENTer

Installation instructions

## aV200 ALD



ventilation device  
without heat recovery



## Trademarks, copyrights and property rights

inVENTer® and Inventin® are registered trademarks of inVENTer GmbH.

The copyright to this document remains with the manufacturer.  
Rights to all content and images: © inVENTer GmbH 2022.

All trademarks used in this document are the property of their respective manufacturers and are hereby acknowledged.

## Disclaimer

This documentation represents the original installation instructions. Once installation is complete, information regarding access to the installation instructions must be passed on to the user (tenant, owner, property management company, etc.).

The content of this documentation has been checked for compliance with the described components. Nevertheless deviations may still occur, therefore no guarantee of compliance can be provided.

This documentation describes the functionality of the standard scope.  
For reasons of clarity, the documentation does not purport to cover all details on all types of the product and cannot cover every conceivable scenario for installation and assembly.

The illustrations in this document may differ slightly from the design of the product that you have purchased. The same functionality is ensured despite any design deviations.

This documentation is updated regularly. Necessary corrections and appropriate supplements are always included in subsequent editions. You can also find the latest version at [www.inventer.eu/downloads](http://www.inventer.eu/downloads).

## Company information

Publisher:

inVENTer GmbH	Phone: +49 (0) 36427 211-0
Ortsstraße 4a	Fax: +49 (0) 36427 211-113
07751 Löberschütz	E-mail: <a href="mailto:info@inventer.de">info@inventer.de</a>
Germany	Web: <a href="http://www.inventer.de">www.inventer.de</a>

CEO: Annett Wettig  
VAT ID number: DE 815494982  
Jena District Court HRB 510380

## Table of contents

<b>1</b>	<b>User and safety instructions</b>	<b>4</b>
1.1	User information	4
1.2	Safety instructions	5
<b>2</b>	<b>System overview: aV200 ALD ventilation device</b>	<b>7</b>
2.1	Construction	8
2.2	Function	9
<b>3</b>	<b>Preparing for installation</b>	<b>10</b>
3.1	Installation position	10
3.2	Position of the wall opening	12
3.3	Sectional drawing of the ventilation device	13
3.4	Dimensional drawings of components	14
3.5	Dimensions	15
<b>4</b>	<b>Installation and assembly</b>	<b>16</b>
4.1	Check the scope of supply	16
4.2	Create wall opening	17
4.3	Installing the wall sleeve	18
4.4	Installing the exterior closure of the standard ventilation device variant	21
4.5	Install the Flair Zero ALD inner cover	26
<b>5</b>	<b>Technical data</b>	<b>28</b>
5.1	General specifications	28
<b>6</b>	<b>Scope of supply</b>	<b>29</b>
<b>7</b>	<b>Troubleshooting</b>	<b>30</b>
<b>8</b>	<b>Guarantee and warranty</b>	<b>30</b>
<b>9</b>	<b>Service</b>	<b>31</b>

## 1 User and safety instructions

Thank you for purchasing this high-quality product from inVENTer!

This section provides an overview of the basic safety precautions for safe and proper operation of your ventilation system.

### 1.1 User information

#### Safety and warning instructions

The safety and warning instructions in these installation instructions have a uniform structure and are marked with a symbol on the left side of the instruction.

A signal word in front of the text also indicates the hazard level. If several hazard levels exist, the highest level safety instruction is always used.

The safety and warning instructions contain the following information:



**SIGNAL WORD: Type and origin of the danger.** Possible consequences of the danger!

- Measures to avoid the danger.

The signal word indicates the severity of the potential danger unless the preventive measures are taken:



**DANGER** means: Imminent danger of serious injury or death.



**WARNING** means: Possible danger of serious injury or death.



**CAUTION** means: Direct danger of minor/significant injury.



**NOTICE** Means: Direct or possible risk of property damage due to an adverse event/state.

If you see these signs, ensure you observe the described measures to prevent possible hazards and/or damage.

#### Other symbols used in this documentation

In addition to the safety instructions, the following symbols are used:



This symbol indicates practical and useful tips for handling your ventilation system.



Before each step, any additional **tools and materials** required for the activity are listed.



**Red bar** over a graphic: graphic shows the interior wall.



**Blue bar** over a graphic: graphic shows the exterior wall.

▶ **Action required:** This prompts the user to perform a specific action.

⇨ **Check the results:** This requires you to check the results of the action you have performed.

👁️ **Action focus:** To be taken into account in the corresponding assembly step.

## 1.2 Safety instructions

The installation instructions are part of your ventilation system and must be available at all times (see [www.inventer.eu/downloads](http://www.inventer.eu/downloads)). When handing the equipment/system to a third party, the information regarding access to the installation instructions must be handed over also.

Before performing any work on the device/system, read the installation instructions carefully and observe all notices that refer to the installation process in this section. Also note the safety instructions that precede the described handling instructions. Non-observance of safety instructions could result in injury and/or property damage.

#### Intended use

The aV200 ALD exterior wall air outlet is used to allow exterior air to flow in according to DIN 18017-3 and DIN 1946-6 in residential devices and supplements the extract air device.

Any kind of use other than the intended use will exclude all liability claims.

#### General information

- Always observe the relevant standards, regulations and guidelines when installing the components for this variant. In particular also applicable building regulations, fire safety regulations and accident prevention regulations of the employers' liability insurance association.
- Only use the components in accordance with the usage scenarios described in this documentation. Changes or modifications to the components are not permitted.
- Your ventilation device has been developed exclusively for use in ambient temperatures between -20 and +50°C and the components of this installation variant must also only be used within this temperature range.
- Trouble-free and safe operation of the components of this installation variant depends on proper transportation, proper storage and installation, as well as careful cleaning and care.

#### Installation and assembly



- **CAUTION: The system may only be installed by qualified personnel.**

Before starting work, you should have a project plan showing the number of ventilation devices, the location of the ventilation devices, the ventilation principle (cross ventilation, single room ventilation, extract ventilation). The exact positioning of the individual devices must be checked at the installation site and, if necessary, adapted to the local conditions with the involvement of the responsible planner or user. For optimum functionality, it is recommended to install the device at an appropriate place in the upper wall area.



- **WARNING:** For joint operation with fireplaces, safety measures must be taken to prevent a negative pressure from developing in the building. The responsible chimney sweep and/or building planner decides which measures need to be carried out.

- **NOTICE:** The ventilation device is not suitable for drying out buildings. Do not put it into operation until the construction work has been completed.
- **NOTICE:** Contamination of components, e.g. by plaster residue, will damage the components! Seal the ventilation device/air outlets so they are dust-tight throughout the construction work. Do not remove any thread locks present until final assembly.
- **NOTICE:** Do not install the device near indoor air thermostats or in the immediate vicinity of sensitive pictures or furniture.
- **NOTICE:** Observe the specified minimum clearances on both sides of the wall and frontally to prevent unintentional mixing of different air flows and to ensure access to the device and its components. A minimum distance of 1.2 m must be maintained between adjacent air openings. (📐, page 11).
- **NOTICE:** The wall sleeve must be integrated into the building envelope (airtightness level) in accordance with the current state of the art, taking into account construction-related and physical specifications ("RAL installation"). Material for this is must be provided on site.
- **NOTICE:** Install the wall sleeve with a slope of 1 - 2° to the exterior wall to ensure the drainage of any condensate that may form.
- **NOTICE:** Store components standing outside the wall sleeve and do not throw them to avoid damage and breakage of the components.
- **NOTICE:** In order to avoid algae growth around the exterior closures, the instructions for installation must be followed exactly (apply all sealing tapes!). We recommend a biocidal pre-treatment/ water-repellent pre-treatment of the façade surface around the exterior closures. Consult your planner about this!
- **NOTICE:** When installing components in (exterior) walls with insulation, use insulation wallplugs to ensure that the components are securely fastened. Insulation wallplugs are not included in the scope of supply, they are available as an option!
- **NOTICE:** Only use permanently elastic sealing compound suitable for outdoor use to seal the joints at all external edges!
- **NOTICE:** The device has scratch-sensitive plastic surfaces. Do not touch the components with oily and/or dirty hands. Avoid contact with sharp or pointed objects, e.g. rings.

If your device has a fault, contact your nearest distributor or our technical service.

### Improper use

Any use that is not mentioned in the intended use section, is considered to be improper.

Especially do not install / operate the device in areas which the following may occur:

- Environment containing strong oils or lubricants.
- Flammable, aggressive and corrosive gases, liquids or vapours.
- Extreme dust exposure.
- Ambient temperatures outside the range of -20 to 50 °C.
- Prevent obstacles that hinder access to, or removal of, components of the ventilation device.

The ventilation device is not to be used as an opening to the outside and/or for the purpose of smoke removal/smoke extraction in basements without windows.

### Qualified personnel

Qualified personnel within the meaning of the safety notices in this documentation are persons who are authorised to install, put into operation and identify equipment and systems in accordance with established safety procedures.

## 2 System overview: aV200 ALD ventilation device

The aV200 ALD exterior-wall air outlets are used are used to provide outside-air ventilation in residential devices in accordance with DIN 18017-3 and DIN 1946-6. They are installed in the supply air space.

It comprises an adjustable inner cover, an insert with integrated storm shield and filter, as well as a round wall sleeve with sound insulation lining (Inventin®) and additional sound insulation. A freely selectable exterior closure completes the system.

The ALD insert, including all filters and the wind protection device, is easily accessible from the interior. The integrated filter cartridge with dust filter ensures that no pollen or dust from outside enters the interior. The sound insulation lining must be installed along the full length of the wall sleeve.

If required, the aV200 ALDs can be retrofitted as ventilation devices with heat recovery (wall sleeve diameter 200 mm, note wall thicknesses).

The standard length of the wall sleeve is 495 mm. For thicker walls, a wall sleeve with a length of 745 mm can be ordered. Both versions can be shortened on site.

### Components

- Flair Zero ALD inner cover
- Filter cartridge incl. ISO coarse filter (G1)
- Wall sleeve
- Inventin®
- Sound insulation lining
- Exterior closure<sup>1,2)</sup>
- Pollen filter (optional)

### Versions

The ventilation devices of the aV200 ALD product range differ in their exterior closures. This documentation only contains information on the standard version of the ventilation device. For information on the variants of the exterior closures, please refer to the separate installation instructions for the respective component.

- **Standard variant:** aV200 ALD ventilation devices (referred to in the further text as "Standard") with driving rain-proof Flex-Zero weather protection hood (white/grey/anthracite/North/custom colour).
- **Corner variant:** aV200 ALD Corner ventilation devices (referred to in the further text as the "Corner variant") for integration of the exterior closure into the window reveal (white/grey/anthracite/custom colour).
- **Nordic variant:** aV200 ALD Nordic ventilation devices (referred to in the further text as the "Nordic variant") for the integration of the exterior closure in clinker brick walls (white/grey/anthracite/custom colour).

<sup>1)</sup> Standard and corner exterior closures are available in stainless steel or optionally in aluminium [increased salt resistance].

<sup>2)</sup> Nordic exterior closure is only available in aluminium.

## 1.1 Construction

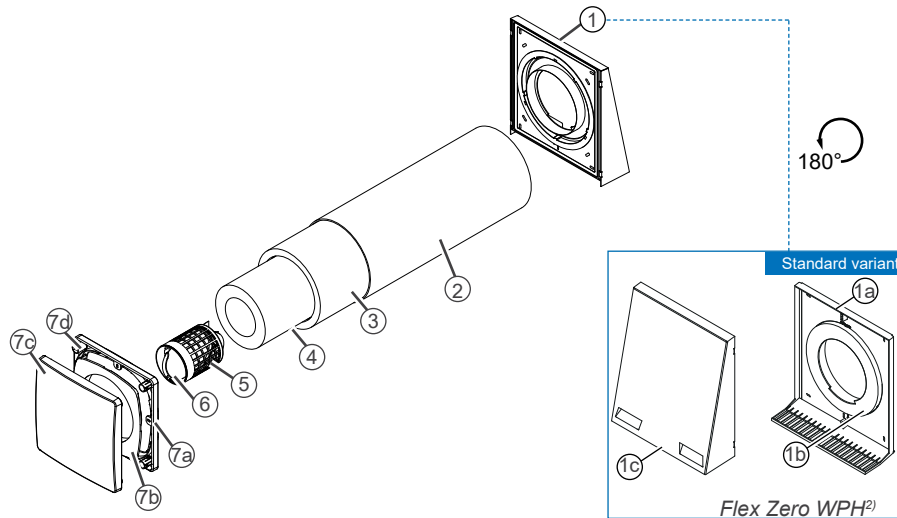


Figure 1: Overview of aV200 ALD Standard ventilation device

### Components

- |  |   |
|--|---|
| 1 Exterior closure <sup>1)</sup>           | 6 ISO coarse filter (G1) [pre-installed]              |
| 1a) Flex Zero WPH <sup>2)</sup> base plate | 7 Flair Zero ALD inner cover                          |
| 1b) Flex Zero ring insert (pre-installed)  | 7a) Inner cover base plate                            |
| 1c) Flex Zero WPH <sup>2)</sup> cover      | 7b) Flair Zero ALD inner cover insert (pre-installed) |
| 2 R-D200 wall sleeve                       | 7c) Flair Zero ALD inner cover panel                  |
| 3 Inventin <sup>®</sup>                    | 7d) Spacer (4x)                                       |
| 4 Sound insulation lining                  |   |
| 5 Filter cartridge with storm shield       |   |

<sup>1)</sup> The description of the components of all other possible exterior closures can be found in the separate installation instructions of the respective exterior closure.

<sup>2)</sup> WPH = Weather protection hood

## 1.1 Function

### Extract air devices and air flow openings

The aV200 ALDs are installed in the supply air space, which forms a spatial connection with the extract air device.

The vacuum created by the extract air device ensures that the outdoor air flows in on its own.

The outdoor air inlets have a filter system to ensure the minimum hygiene requirements and are equipped as standard with a storm shield.

The air volume is regulated in the area of the inner cover. There is a mechanism for changing the opening angle.

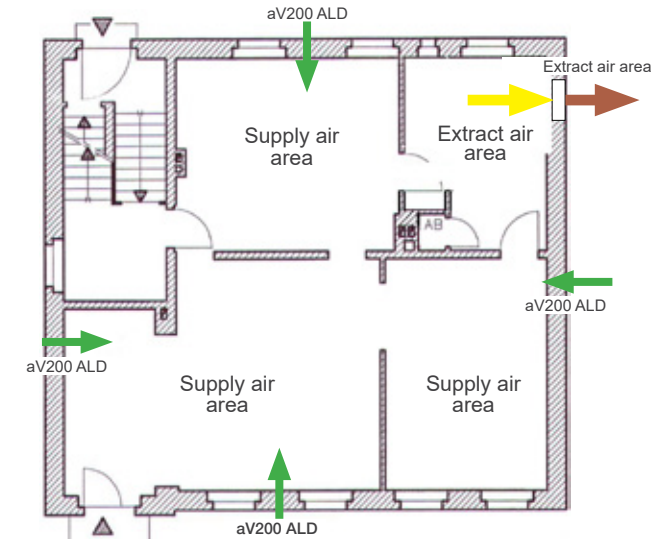


Figure 2: Installation example: Aventus extract air system in combination with aV200 ALD as the outdoor air supply

### 3 Preparing for installation

#### 3.1 Installation position

- The installation location can be derived from the position suggested by the ventilation planning. The exact positioning of the individual devices must be checked on site and, if necessary, adjusted. **Consult the responsible planner about this!** For optimum function, it is recommended that the ventilation device is installed at the appropriate point in the upper wall area (e.g. 1.80 m from the upper edge of the finished floor [OKFFB]).
- Do not place the ventilation device near radiators, indoor air thermostats, sensitive furniture or above pictures.

#### Minimum distances of the wall opening for the ventilation device:



**NOTICE: Incorrect positioning of the ventilation device will cause malfunctioning!**

- Note the insulation thickness and any shutters.
- Do not install near radiators.
- Observe the minimum distance of 1.2 m to adjacent air openings.

- The aV200 ALD must not be covered by cabinets or protruding constructions. The outdoor air must be able to flow in freely.
- Maintain a minimum circumferential clearance of 250 mm.
- Installation should take place near the ceiling (better distribution of air).

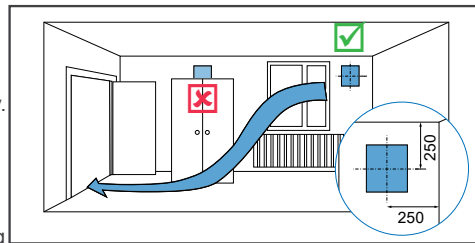


Figure 3: aV200 ALD installation position

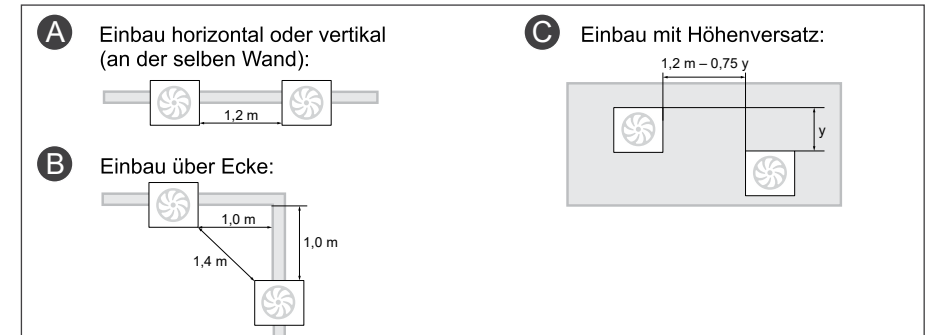
- Install the wall opening above a radiator. This ensures that the inflowing air is pre-heated when entering the interior.
- Position the ventilation device so that the area in which the user stays is not directly in the air stream. Maintain a distance of 1 - 1.2 m from the user's area.
- In order to ensure that the device does not interfere with other ventilation processes and that its functioning is not affected by them, it must always be installed in its own wall sleeve.
- The inflow speed should be low in order to prevent the formation of draughts.

#### Minimum distance from components

- on the interior and exterior wall:

Component termination	Distance from centre of hole on the		
	Exterior wall [mm]	Interior wall [mm]	Frontal [mm]
Flex Zero weather protection hood	450 (top) 250 (side, bottom)	–	–
Corner exterior closure	250 ... 385 to the reveal 250 (top, bottom, side)	–	–
Nordic exterior closure	250 circumferential	–	–
Flair Zero inner cover	–	250 circumferential	300

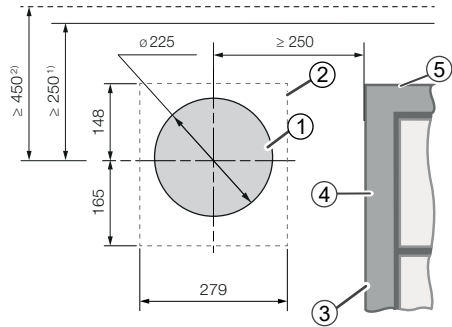
- between two adjacent ventilation devices (pair of devices) in one room:



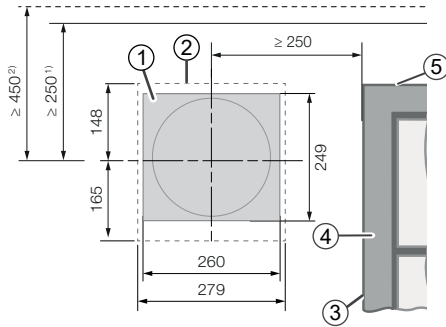
### 3.2 Position of the wall opening

For the positioning of the wall sleeve of other variants of your ventilation device, see the installation instructions for your specific exterior closure.

#### Standard variant ventilation device



Position of wall opening



Position of Simplex wall installation system

Figure 4: Scale drawing of aV200 ALD wall opening (interior view) with Flex Zero weather protection hood

- 1 Wall opening (Fig. 4, left)
- Simplex wall installation system (Fig. 4, right)
- 2 Flex Zero<sup>3)</sup> weather protection hood

- contour
- 3 Reveal
- 4 Door/window frame
- 5 Bottom edge of lintel<sup>4)</sup>

<sup>1)</sup> Min. distance to adjoining components on the int. wall

<sup>3)</sup> Recommendation: Attach the ext. closure at lintel height

<sup>2)</sup> Min. distance to adjoining building components on the ext. wall .....<sup>4)</sup> Note insulation thickness and any roller shutters

### 3.3 Sectional drawing of the ventilation device

For sectional drawings of other variants of your ventilation device, see the installation instructions for your specific exterior closure.

#### Sectional drawing of the aV200 ALD ventilation device, Standard variant

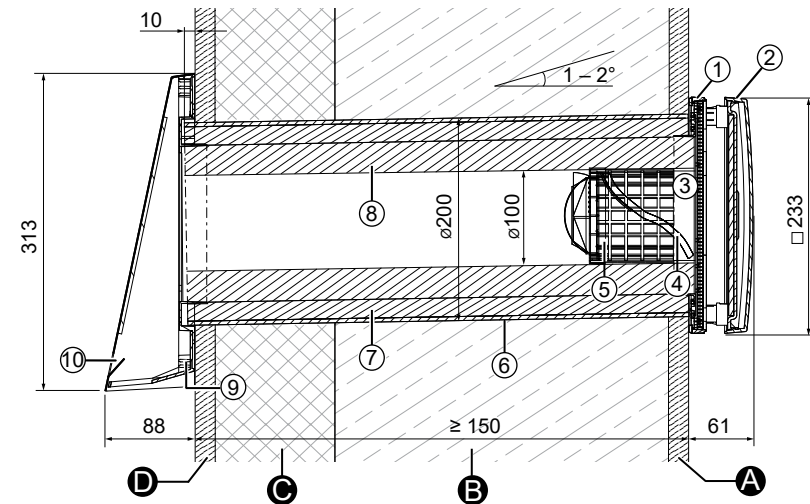


Figure 5: Sectional drawing of the aV200 ALD ventilation device with Flex Zero weather protection hood

- A Interior plaster/ interior structure
- B Masonry

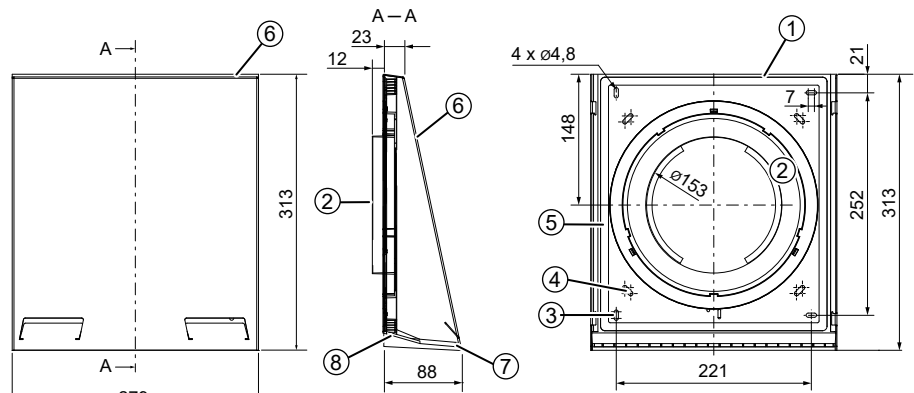
- C Insulation
- D Render

- 1 Flair Zero ALD inner cover base plate
- 2 Inner cover panel with SDE sound insulation insert
- 3 Flair Zero ALD ring insert (pre-installed)
- 4 ISO coarse dust filter (G1)
- 5 Filter cartridge with storm shield (pre-installed)
- 6 R-D200 wall sleeve
- 7 Inventin<sup>®</sup>
- 8 Sound insulation lining
- 9 Flex Zero WPH base plate with ring insert (pre-installed)
- 10 Flex Zero WPH<sup>1)</sup> cover

<sup>1)</sup> WPH = Weather protection hood

### 3.4 Dimensional drawings of components

#### Flex Zero weather protection hood



Flex weather protection hood cover

Flex Zero weather protection hood base plate

Figure 6: Dimensional drawing of the Flex Zero weather protection hood

- 1 Weather protection hood base plate
- 2 Flex Zero ring insert (pre-installed)
- 3 Fixing hole exterior wall (4x)
- 4 Simplex fixing hole (4x)
- 5 Sealing tape for guide
- 6 Weather protection hood cover
- 7 Protective grid
- 8 Drip rail

#### Flair Zero ALD inner cover

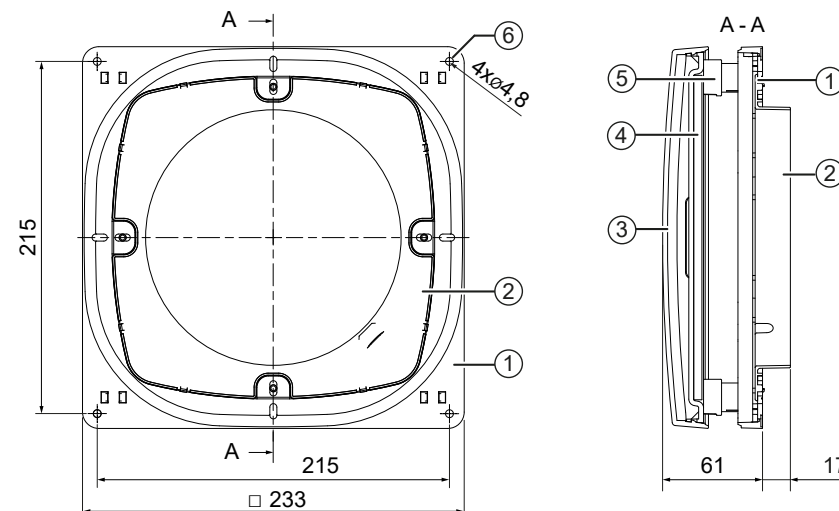


Figure 7: Scale drawing of Flair Zero ALD inner cover

- 1 Inner cover base plate
- 2 Flair Zero ALD insert (pre-installed)
- 3 Inner cover panel
- 4 SDE sound insulation insert
- 5 Spacer (4x)
- 6 Interior wall fixing borehole

### 3.5 Dimensions

Designation	Depth/length [mm]	Width [mm]	Height [mm]
Wall opening for wall sleeve	Wall thickness <sup>1)</sup>	Ø225	
R-D200x495 wall sleeve (745)	495 (745)	Ø200	
Flex Zero weather protection hood	23 – 88	279	313
Flair Zero ALD inner cover	61 <sup>2)</sup>	233	233

<sup>1)</sup> Standard variant: with render, insulation, masonry and plaster

<sup>2)</sup> Open



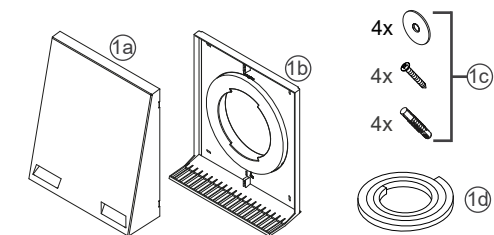
## 4 Installation and assembly

**i** Read the section carefully before installation to avoid installation errors. The installation and connection of the ventilation system must be carried out by qualified personnel.

### 4.1 Check the scope of supply

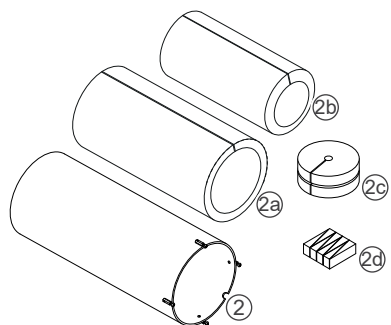
Check the delivery for completeness and transport damage upon receipt using the delivery note. Report missing items immediately.

These assembly instructions describe the standard version of the product. Details of the exterior closure variants' scope of supply can be found in the separately available installation instructions for the system components in question.

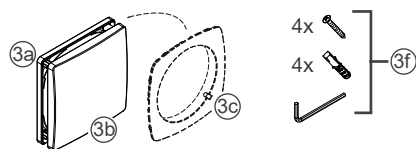


- 1 Exterior closure**  
 1 a: Flex Zero WPH<sup>1)</sup> cover  
 1 b: Flex Zero WPH<sup>1)</sup> base plate  
 1 c: Exterior wall fixing elements  
 1 d: Sealing tape

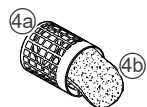
The Flex Zero weather protection hood is available in different colours and materials (stainless steel / aluminium [with increased salt resistance]) and must be ordered according to the desired colour and texture.



- 2 R-D200 wall sleeve**  
 2 a: Inventin®  
 2 b: Sound insulation lining  
 2 c: Styrofoam discs  
 2 d: Mounting wedge set



- 3 Flair Zero ALD inner cover**  
 3 a: Flair Zero ALD IC<sup>2)</sup> base plate  
 3 b: Flair Zero ALD IC<sup>2)</sup> cover  
 3 c: Flair Zero ALD insert (pre-installed)  
 3 f: Interior wall fixing material



- 4 Insert filter cartridge**  
 4 a: Filter cartridge  
 4 b: ISO coarse dust filter (G1)

1) WPH = Weather protection hood  
 2) IC = Inner cover

### 4.2 Create wall opening



**CAUTION**  
**Falling masonry when creating the wall opening** can lead to physical injuries and /or damage to property!

- Install protection against falling masonry on building exterior.
- Remove objects from the immediate vicinity of the building's exterior.

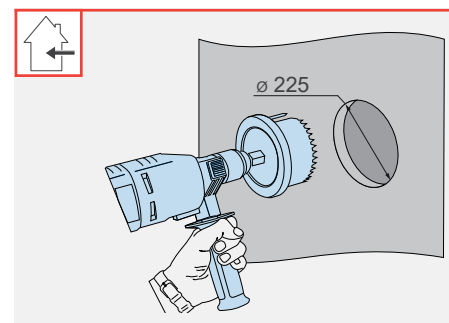
In new buildings we recommend the use of the optional Simplex D200 or Weinbaublock D230 wall installation system, or Woodplex for timber post and beam construction.

Observe the minimum distances and the installation position of the ventilation device. Consult your planner before installation if you are at all uncertain!

#### Create the wall opening through core drilling



Power drill with core drilling attachment or milling drill Ø 225 mm.



#### Requirement:

- The masonry must be dry and in a load-bearing condition.
- No load-bearing elements in the position of the drill hole.

► Create a wall opening, Ø 225 mm, at the installation location of the ventilation device.

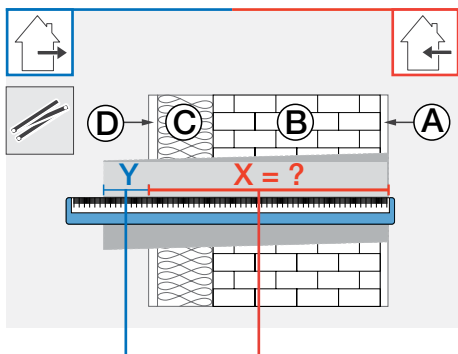
**Eye!** The wall sleeve for the ventilation device is installed with a slope of 1 - 2° to the outside. Alternatively, the borehole can be drilled with a slope.

⇒ The wall opening for the ventilation device has been created.

### 4.3 Installing the wall sleeve



Measuring tape, angle grinder, spirit level, non-pressing 2K polyurethane foam, cutter, mounting wedge set and Styrofoam discs

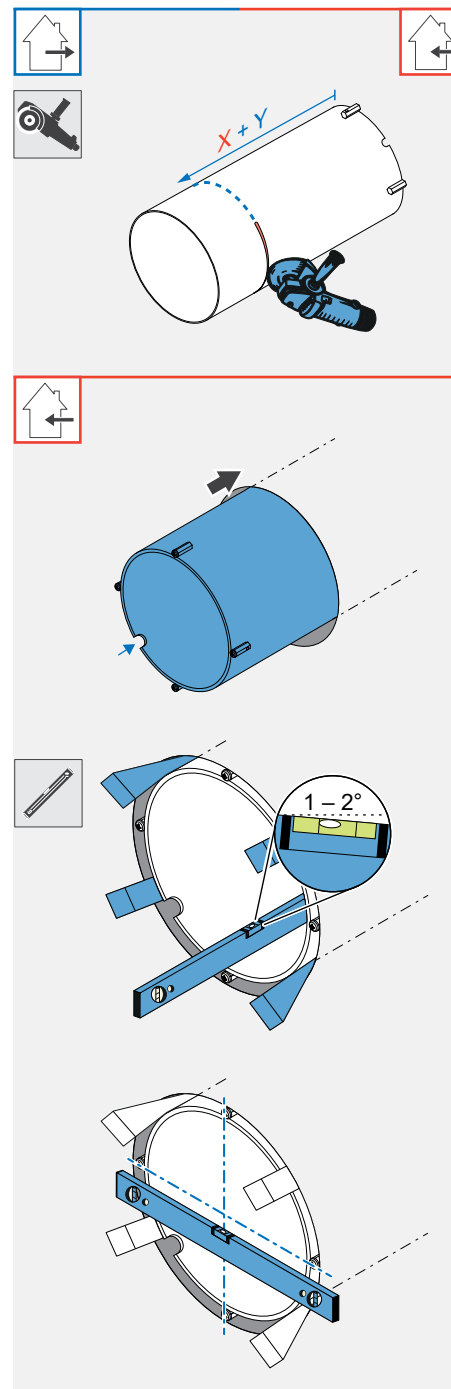


**Requirement:**

- The wall opening  $\varnothing$  225 mm is finished.
- Determine the exact wall thickness X:  
 D = Exterior rendering, incl. other superstructures if applicable.  
 C = Insulation, if necessary incl. air gap  
 B = Masonry, incl. relining if necessary  
 A = Interior plaster  
 Y = Protrusion of the wall sleeve in the outer area (depending on the installation situation exterior rendering or masonry)

		X in [mm] =	Y in [mm] =
Inner cover		Flair Zero ALD	
Exterior closure variant			
Standard		A + B + C + D	10
Corner		A + B	10
		A + B	UBP + 10 (for installation with UBP substructure panel)
Nordic	double-shell masonry (clinker brick)	A + B	C + D - 200 (min. 30 mm)
	single-shell masonry (TICS <sup>1)</sup> )	A + B	C + D - 95 (min. 30 mm)

<sup>1)</sup> TICS = Thermal insulation composite system



► Cut the wall sleeve to the **determined dimension X + a protrusion of Y** on the exterior wall.

► Deburr the edges.

► Remove the Styrofoam discs from the wall sleeve.

► Insert the wall sleeve into the wall opening so it is flush with the interior wall.  
 Note the thickness of the plaster.

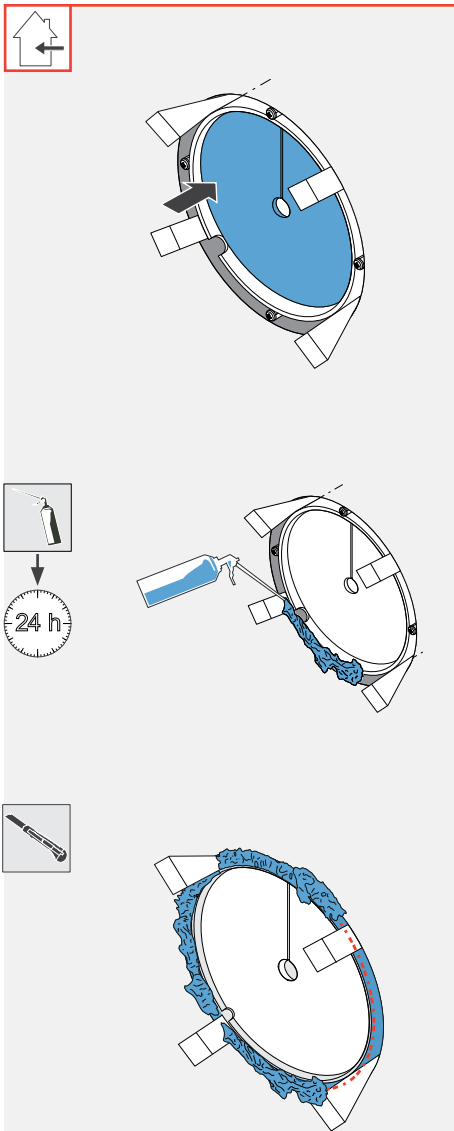
**NOTICE: Accumulation of condensation water in the wall sleeve.**  
 Damage to exterior wall and masonry and the building structure!  
 • Attach the wall sleeve with a slope of 1° to 2° to the exterior wall.

► Attach the wall sleeve inside and outside with the mounting wedges so that there is a slope of 1 – 2° to the exterior wall.

► Check the angle of the wall sleeve using a spirit level.

**NOTICE: Contamination of the wall sleeve by e.g. plaster residues** leads to damage of the components in the wall sleeve.  
 • Before foaming the free space between the wall sleeve and masonry, insert Styrofoam discs.

► Align the two lateral fastening elements of the wall sleeve horizontally.



► Insert the Styrofoam discs into the wall sleeve from the inside and outside.

**NOTICE: Interruption of the thermal insulation composite system!**  
Damage to the building structure!

- During installation, replace the wall structure as far as the wall sleeve.
- Observe the necessary barrier levels.

► Foam-seal the gap between the wall sleeve and masonry all the way around with non-pressing 2K polyurethane foam.

► Cut off the excess, hardened mounting foam and protruding mounting wedges as follows:

- Flush to the interior wall
- Flush to the exterior wall

⇒ The wall sleeve is installed.

#### 4.4 Installing the exterior closure of the standard ventilation device variant

The installation of the external closure is not part of these instructions. Please refer to the Installation instructions of your device.

**NOTICE**

**Installation on unfinished exterior walls leads to damage to the exterior wall!**

- Only install the exterior closure once the exterior wall is finished and has fully dried.

**NOTICE**

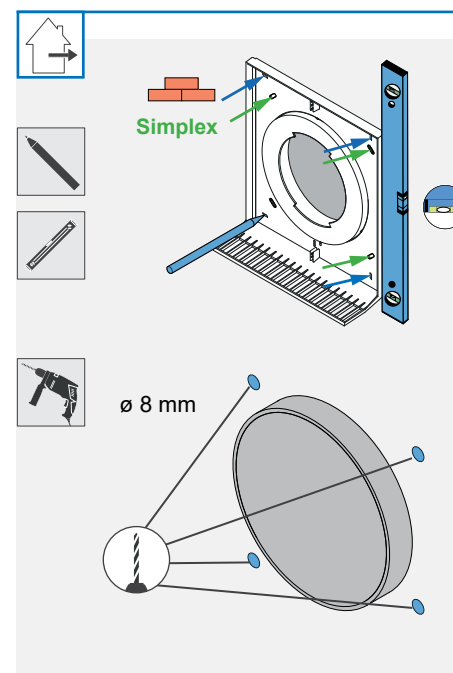
**Penetration of condensation water and/or algae accumulation around the exterior closure leads to damage to the masonry/exterior wall and/or discolouration of the façade!**

- Secure the sealing tape on the exterior closure before installing it.
- Before installation, carry out a biocidal pre-treatment/water-repellent pre-treatment of the surface around the weather protection hood (consult your planner regarding this!).

#### Install the Flex Zero weather protection hood



Spirit level, pen, power drill with Ø 8mm drill bit, cordless screwdriver, rawl plugs (wall-plugs for insulated exterior walls), permanently elastic external sealant, sealing tape, screws



**Requirement:**

- The exterior wall is completed and even.
- The wall sleeve is installed.

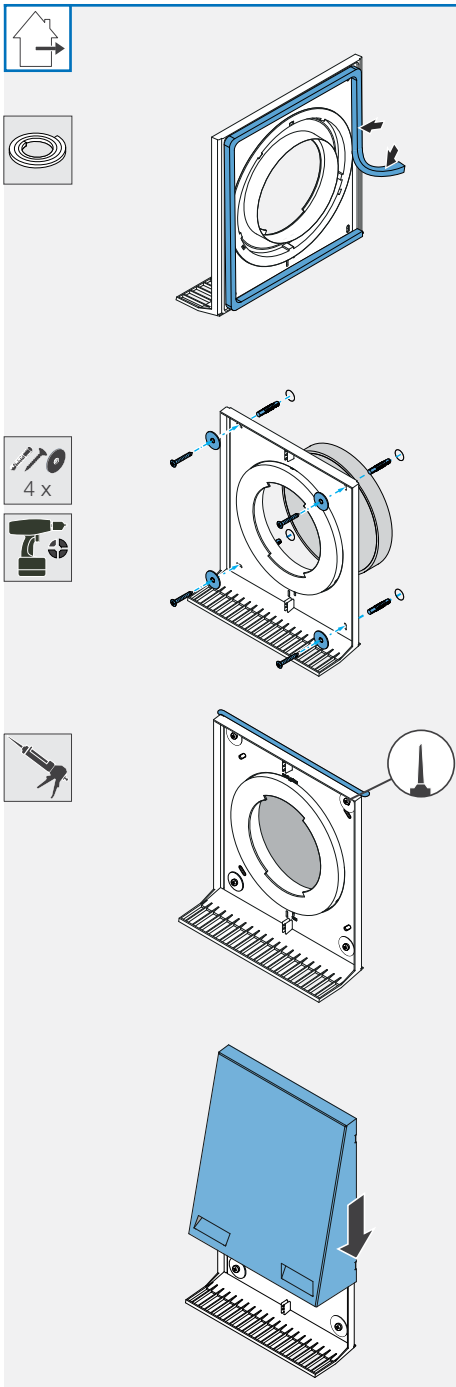
► Remove the Styrofoam discs from the wall sleeve on the exterior wall side.

► Slide the base plate onto the projecting wall sleeve. The protective grid is directed towards the floor.

► Level the base plate using a spirit level.

► Mark the four boreholes:  
Outer boreholes (blue arrow): Masonry.  
Inner boreholes (green arrow): Simplex.

► Drill the four holes with Ø 8 mm, min. 50 mm deep.



**i** Do not apply the sealing tape until immediately before installing the base plate. This prevents the sealing tape from swelling too much and makes installation easier.

▶ From the exterior wall side, attach the 9-mm sealing tape circumferentially flush with the guide on the base plate.

**!** Do not seal the fixing holes!

▶ Insert the rawl plugs into the boreholes.

▶ Screw the base plate onto the exterior wall using 4 screws and washers.

**i** When attaching the base plate to exterior walls with insulation or when using the wall installation block/Simplex wall installation system, use wallplugs for insulation for fixing purposes. These are not included in the scope of supply, they are available as an option.

**!** **NOTICE:** IF the gap between the base plate and the exterior wall is not sealed correctly, the cover cannot be fitted.

- Seal only the upper joint between the base plate and the exterior wall.

▶ Seal the upper joint between the base plate and the exterior wall with a permanently elastic exterior sealant.

▶ Place the panel onto the base plate from the top.

▶ Slide the panel downwards as far as the stop.

**!** The guides on the panel hook in behind the base plate.

⇒ The Flex Zero weather protection hood is installed.

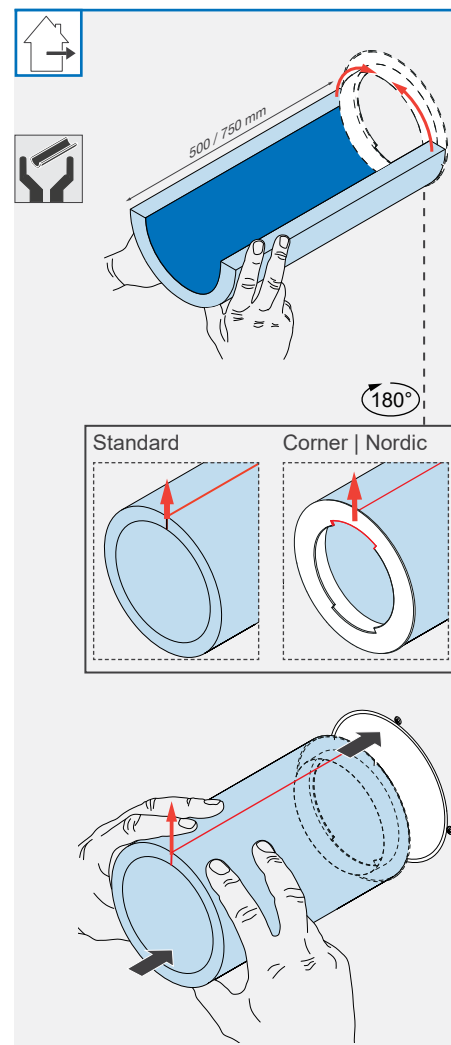
### Insert the sound insulation lining made of Inventin®

**i** Inventin® is a high-performing, patented material for use in decentralised ventilation devices. It absorbs sound waves from outside and from the device itself (sound transmission and inherent sound).

**NOTICE:** The sound-absorbing function can be impaired by improper handling.

- Handle the lining with care.

**!** Cutter



### Requirement:

- The exterior closure is fitted.

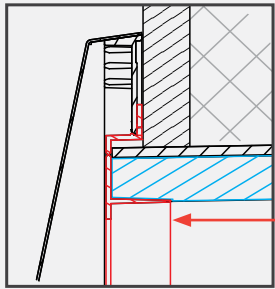
▶ Remove the Styrofoam disc from the wall sleeve.

▶ Place the front surfaces of the sound insulation lining against each other (standard) or around the inner ring of the ring insert (Corner | Nordic, dashed line).

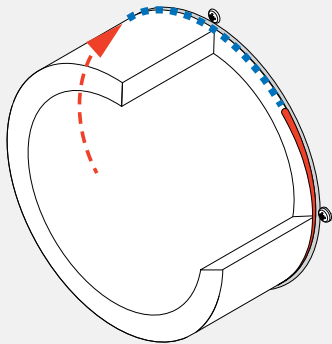
**!** The abutting surfaces, where present, are located on a cut-out in the ring insert.

▶ Push the sound insulation lining with light tension into the wall sleeve until it stops (any ring insert present is aligned with the exterior wall).

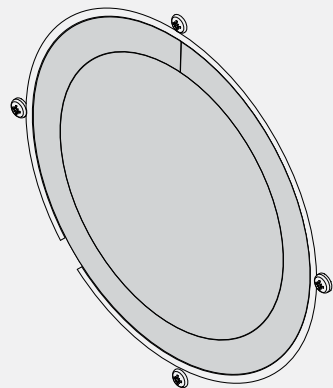
**!** Position the abutting surfaces (red arrow) in the upper section of the wall sleeve (approx. 12 o'clock [upper fixing element]).



► Make sure that the sound insulation lining made of Inventin is pushed into the ring insert on the weather protection hood.



► Cut the sound insulation lining on the inner wall side with a cutter so it is flush with the core drill hole.



⇒ The sound insulation lining made from Inventin is inserted.

### Inserting the sound insulation lining



The sound insulation lining absorbs sound waves from outside and from the device itself (sound transmission and inherent sound). It is designed especially for decentralised ventilation devices from inVENTer.

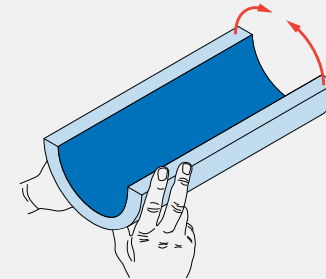


**NOTICE: The sound-absorbing function can be impaired by improper handling.**

- Handle the lining with care.



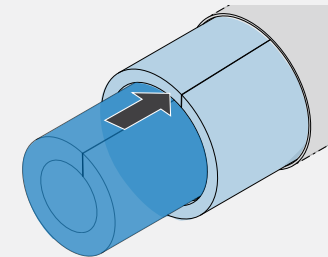
Cutter (optional)



#### Requirement:

- The exterior closure is fitted.
- The wall sleeve is installed.
- The sound insulation lining made from Inventin is inserted.

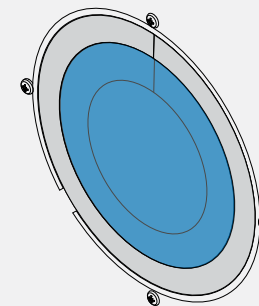
► Position the end faces of the sound insulation lining together



► Slide the sound insulation lining under slight tension until it stops into the pre-installed Inventin.



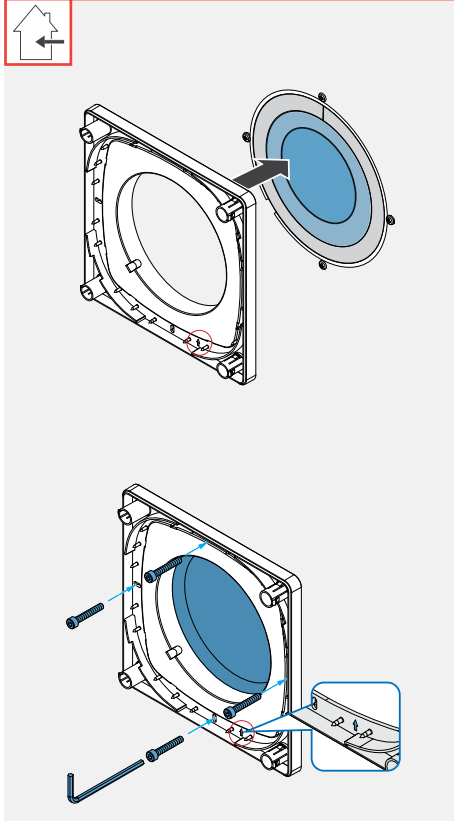
The sound insulation lining can be shortened. If it extends beyond the wall sleeve and Inventin on the interior wall side, then cut the sound insulation lining on the interior wall side using a cutter so that it is flush with the Inventin.



⇒ The sound insulation lining is inserted.

### 4.5 Install the Flair Zero ALD inner cover

The correct installation of the inner cover requires that the installation position of the base plate (installation position arrow pointing upwards) is not changed.



- Requirement:**
- The interior wall is completed and even.
  - The wall sleeve is installed.
  - The sound insulation lining made from Inventin is inserted.
  - The sound insulation lining is inserted.

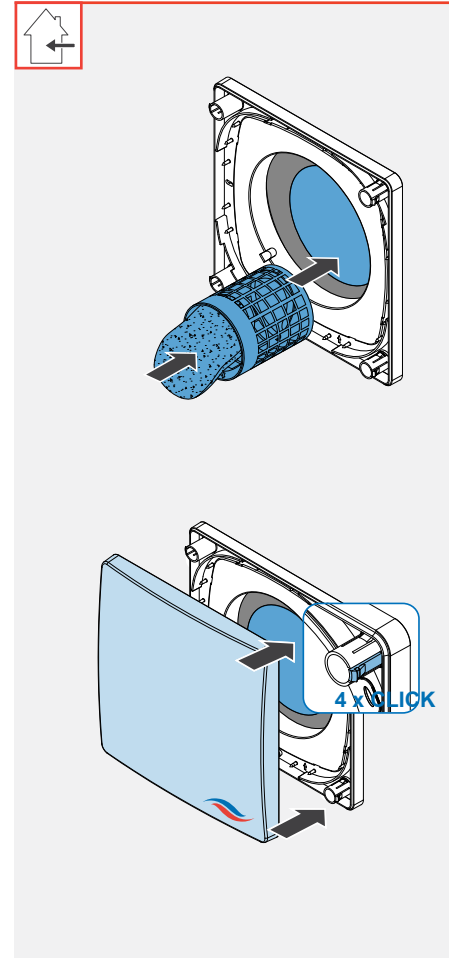
- ▶ Remove the thread locks from the fixing elements of the wall sleeve.

**NOTICE: IF the base plate of the inner cover is twisted, the inner cover panel cannot be fitted correctly!**

- The position arrow on the inner cover base plate must always point upwards!

- ▶ Screw the base plate to the wall sleeve's fixing elements using a hex key.

**!** The position arrow on the base plate points upwards.



- ▶ Push the filter cartridge into the pre-installed sound insulation lining.

**!** The position arrow on the filter cartridge points downwards.

**NOTICE: INCORRECT installation of the filter will lead to the ventilation device malfunctioning.**

- Follow the instructions below carefully.

- ▶ Place the panel on the four spacers.

- ▶ The position arrows on the back of the inner cover panel point upwards.

**!** Check: The inVENTer logo is located at the bottom right.

- ▶ Press the detent lugs inwards on the spacers.


- ▶ Slide the inner cover panel onto the spacers.

⇒ All spacers snap tangibly in.

⇒ The inner cover panel is fitted.

## 5 Technical data

### 5.1 General specifications

Feature	Value
Operating range [°C]	-20 – 50
Minimum wall thickness	150 mm
Wall opening diameter [mm]	225 mm
Supply air / outdoor air	Free from aggressive gases, dust and oils
Supply airflow [m³/h; 4 Pa]	17 [Standard variant]
Supply airflow [m³/h, 8 Pa]	26 [Standard variant]
Standard sound level difference [dB]	55 [Standard variant]
Standard filter class ISO 16890	ISO coarse (filter cartridge)
DIN EN 779:2012	G1 (filter cartridge)
Conformity	

## 6 Scope of supply

### Standard components

All standard components are also available as spare parts. Further accessories and spare parts can be found in the separate accessories overview. Contact your local distributor to order components for your ventilation system.

Component	Item number
aV200 ALD Standard	1001-0221
aV200 ALD Corner	1001-0222
aV200 ALD Nordic	1001-0237
Standard variant exterior closure <sup>1)</sup> : Weather protection hood incl. sealing tapes	
Flex-Zero weather protection hood, white – RAL 9016	1508-0162   1508-0175 <sup>2)</sup>
Flex-Zero weather protection hood, grey – RAL 9006	1508-0163   1508-0176 <sup>2)</sup>
Flex-Zero weather protection hood, North – RAL 7011	1508-0164
Flex-Zero weather protection hood, anthracite – RAL 7016	1508-0165   1508-0177 <sup>2)</sup>
Flex-Zero weather protection hood, custom colour	1508-0166   1508-0178 <sup>2)</sup>
Wall sleeve with Styrofoam discs and mounting wedges	
R-D200x495 wall sleeve	1506-0070
R-D200x745 wall sleeve	1506-0071
Inner cover	
Flair Zero ALD inner cover	1505-0068

### Accessories


Component	Item number
aV100 ALD flicker filter	1004-0165
aV100 ALD pollen filter	1004-0163
Simplex 425 incl. WEH R-D200x495	1506-0109
WEB D230 V-280x280x365 wall installation block	3008-0081

<sup>1)</sup> Article numbers of the exterior closure variants in the separate installation instructions of the respective exterior cover

<sup>2)</sup> Special variant: consisting of aluminium, with increased salt resistance

## 7 Troubleshooting

### Troubleshooting

Fault	Possible cause	Remedy
Flow rate	Flow rate too low	Open the inner cover fully.
	Flow rate too high	Tilt the inner cover.  The inner cover must not be permanently closed.
Supply air is cold	No heat recovery possible	Upgrade to a device / system with heat recovery

## 8 Guarantee and warranty

### Guarantee:

The guarantee refers to the defect-free condition of the product at the time of purchase and covers all defects that were present at the time of purchase. Failure to observe the intended use will invalidate all guarantee claims.

Outside Germany, the national guarantee provisions of the country in which the system is sold apply. Please contact the distributor for your country.

### Warranty:

inVENTer GmbH provides a five-year warranty for the wall sleeve. This covers premature product wear.

### Guarantee and warranty claims:

Further information about the guarantee is available at [www.inventer.de/garantie](http://www.inventer.de/garantie).

In the case of a guarantee or warranty claim, contact your local distributor or factory representative.

In all cases, please return the complete device to the manufacturer.

The warranty is an additional offering by the manufacturer and in no way affects the applicable law.

## 9 Service

### Complaint:

Check the delivery for completeness and transport damage upon receipt using the delivery note.

Report missing items immediately, and at the latest within 14 days to your supplier, distributor or factory representative.

### Accessories and spare parts:

To order components for your ventilation device, contact your nearest dealer or our factory representative.

### Technical customer service:

For technical support contact our service staff:

 +49 (0) 36427 211-333

 [service@inventer.de](mailto:service@inventer.de)



inVENTer GmbH  
Ortsstraße 4a  
07751 Löberschütz  
Germany  
[www.inventer.de](http://www.inventer.de)

Subject to modifications.  
No liability for printing errors.

**Item number: 5012-0062**  
**Version: 1.0 – 11/2022**

