



# INVENTER

Operating and cleaning instructions

## aV ALD



ventilation device  
without heat recovery



## Trademarks, copyrights and property rights

inVENTer® is a registered trademark of inVENTer GmbH.

The copyright to this document remains with the manufacturer.  
Rights to all content and images: © inVENTer GmbH 2022.

All trademarks used in this document are the property of their respective manufacturers and are hereby acknowledged.

## Disclaimer

This documentation represents the original operating and cleaning instructions. After completion of the installation it must be given to the user (tenant, owner, property management, etc.).

The content of this documentation has been checked for compliance with the described components. Nevertheless deviations may still occur, therefore no guarantee of compliance can be provided.

This documentation describes the functionality of the standard scope.  
For reasons of clarity, the documentation does not purport to cover all details on all types of the product and cannot cover every conceivable scenario for operation, cleaning and repair.

The illustrations in this document may differ slightly from the design of the product that you have purchased. The same functionality is ensured despite any design deviations.

This documentation is updated regularly. Necessary corrections and appropriate supplements are always included in subsequent editions. You can find the latest version at [www.inventer.de/downloads](http://www.inventer.de/downloads).

## Company information

Publisher:

inVENTer GmbH	Phone: +49 (0) 36427 211-0
Ortsstraße 4a	Fax: +49 (0) 36427 211-113
07751 Löberschütz	E-mail: <a href="mailto:info@inventer.de">info@inventer.de</a>
Germany	Web: <a href="http://www.inventer.de">www.inventer.de</a>

CEO: Annett Wettig  
VAT ID number: DE 815494982  
Jena District Court HRB 510380

## Table of contents

<b>1</b>	<b>User and safety instructions .....</b>	<b>4</b>
1.1	User information.....	4
1.2	Safety instructions.....	5
<b>2</b>	<b>System overview: aV ALD ventilation device .....</b>	<b>6</b>
2.1	Construction.....	8
2.2	Function .....	9
<b>3</b>	<b>Operation.....</b>	<b>10</b>
3.1	Setting the flow rate .....	10
<b>4</b>	<b>Cleaning and care.....</b>	<b>11</b>
4.1	Cleaning / replacing the dust filter.....	14
4.2	Clean the sound insulation lining and Inventin®.....	17
4.3	Attaching the inner cover panel.....	19
<b>5</b>	<b>Accessories and spare parts.....</b>	<b>20</b>
<b>6</b>	<b>Troubleshooting and disposal .....</b>	<b>21</b>
6.1	Troubleshooting .....	21
6.2	Disposal .....	22
<b>7</b>	<b>Guarantee and warranty .....</b>	<b>23</b>
<b>8</b>	<b>Service.....</b>	<b>23</b>
<b>9</b>	<b>Annex 1: Cleaning log.....</b>	<b>24</b>

## 1 User and safety instructions

Thank you for purchasing this high-quality product from inVENTer!

This section provides an overview of the basic safety precautions for safe and proper operation of your ventilation system.

### 1.1 User information

#### Safety and warning instructions

The safety and warning instructions in these operating and cleaning instructions have a uniform structure and are marked with a symbol on the left side of the instruction. A signal word in front of the text also indicates the hazard level. If several hazard levels exist, the highest level safety instruction is always used.

The safety and warning instructions contain the following information:



**SIGNAL WORD: Type and origin of the danger.** Possible consequences of the danger! Measures to avoid the danger.

The signal word indicates the severity of the potential danger unless the preventive measures are taken:



**WARNING** means: Possible danger of serious injury or death.



**CAUTION** means: Direct danger of minor/significant injury.



**NOTICE** Means: Direct or possible risk of property damage due to an adverse event/state.

If you see these signs, ensure you observe the described measures to prevent possible hazards and/or damage.

#### Other symbols used in this documentation

In addition to the safety instructions, the following symbols are used:



This symbol indicates practical and useful tips for handling your ventilation system.



Before each step, any additional tools and materials required for the activity are listed.



**Red bar** over a graphic: graphic shows the interior wall.



**Blue bar** over a graphic: graphic shows the exterior wall.



**Action required:** Prompts the user to perform a specific action.



**Check the results:** Prompts the user to check the results of the action performed.



**Action focus:** To be taken into account in the corresponding step.

## 1.2 Safety instructions

These operating and cleaning instructions are part of your ventilation system and must be permanently available. When handing the equipment / system to a third party, the operating and cleaning instructions have must be handed over also. Before performing any work on the equipment / system, read the operating and cleaning instructions carefully and observe all information in this section regarding operation, cleaning and care. Also note the safety instructions that precede the described handling instructions. Non-observance of safety instructions could result in injury and/or property damage.

#### Intended use

The aV ALD exterior wall air outlet is used to allow exterior air to flow in according to DIN 18017-3 and DIN 1946-6 in residential devices and supplements the extract air device.

Any kind of use other than the intended use will exclude all liability claims.

#### General information

- Only use the components in accordance with the usage scenarios described in this documentation. Changes or modifications to the components are not permitted.
- Your ventilation device has been developed exclusively for use in ambient temperatures between -20 and +50°C and the components of this installation variant must also only be used within this temperature range.
- Trouble-free and safe operation of the components of this installation variant depends on proper transportation, proper storage and installation, as well as careful cleaning and care.

#### Operation, cleaning and care



- **CAUTION: Operation and/or care of the device must not be carried out by children and/or persons who are not fully capable of doing so due to their physical, sensory or mental capabilities, inexperience or lack of knowledge.**

**Young children should be supervised to ensure that they do not play with the equipment.**

- **NOTICE:** Your device has scratch-sensitive plastic surfaces. Do not touch the inner cover with oily and/or dirty hands. Avoid contact with sharp or pointed objects, e.g. rings.
- **NOTICE:** Do not use strong cleaning agents or solvents. Use a soft, damp cloth to clean the plastic surfaces.
- **NOTICE:** Never use the device without the filters and inner cover
- **NOTICE:** Remove/avoid obstacles that hinder access to, or removal of, components of the ventilation device.



If your device has a fault, contact your nearest distributor or our technical service. Any kind of use other than the intended use will exclude all liability claims.

#### Improper use

Any use that is not mentioned in the intended use section, is considered to be improper.

Especially do not operate the device in areas which the following may occur:

- Environment containing strong oils or lubricants.
- Flammable, aggressive and corrosive gases, liquids or vapours.
- Extreme dust exposure.
- Ambient temperatures outside the range of -20 to 50 °C.
- Prevent obstacles that hinder access to, or removal of, components of the ventilation device.

The ventilation device is not to be used as an opening to the outside and/or for the purpose of smoke removal/smoke extraction in basements without windows.

### Qualified personnel

The equipment/system may only be operated and cleaned in conjunction with this documentation.

Any necessary **cleaning or maintenance work** can be carried out by the user following brief instructions.

## 2 System overview: aV ALD ventilation device

The aV ALD exterior wall air outlet is used to provide outside-air ventilation in residential devices in accordance with DIN 18017-3 and DIN 1946-6.

It consists of an insert with adjustable inner cover, integrated storm shield and filter, as well as a wall sleeve and freely selectable exterior closure. Installation is carried out in the exterior wall.

A sound insulation lining, available with the aV160 ALD and aV200 ALD, is an integral part of the device. A sound insulation lining made from Inventin is also available with the aV200 ALD. The sound insulation lining must be installed along the full length of the wall sleeve.

The ALD insert, including a filter and storm shield, is easily accessible from the interior. The air volume is regulated via the inner cover, which includes a mechanism for changing the opening angle. The integrated filter cartridge with dust filter ensures that no pollen or dust from outside enters the interior.

The standard length of the wall sleeve is 495 mm. For thicker walls, a wall sleeve can be ordered in custom lengths. All versions can be shortened on site.

### Components

- Inner cover (insulated / closable)
- Filter cartridge incl. ISO coarse filter (G1)
- Wall sleeve
- Sound insulation lining<sup>1)</sup>
- Inventin<sup>®1)</sup>
- Exterior closure<sup>2,3)</sup>
- Pollen filter (optional)

### Versions

The ventilation devices of the aV ALD product range differ in their exterior closures. This documentation only contains information on the Basic, Light, Standard and Plus variants of the ventilation device.

For information on the variants of the exterior closures, please refer to the separate installation instructions for the respective component.

- **Basic variant:** aV100 ALD ventilation devices with a square aV100 weather protection grille (referred to in the further text as "Basic").
- **Plus variant:** aV100 ALD ventilation devices (referred to in the further text as "PLUS") with driving rain-proof Flex aV100 weather protection hood (white/grey/anthracite/custom colour).
- **Light variant:** aV160 ALD ventilation devices with a Light round weather protection grille (referred to in the further text as "Light").
- **Plus variant:** aV160 ALD ventilation devices (referred to in the further text as "Plus") with driving rain-proof Flex weather protection hood (white/grey/anthracite/custom colour/North).
- **Standard variant:** aV200 ALD ventilation devices (referred to in the further text as "Standard") with driving rain-proof Flex-Zero weather protection hood (white/grey/anthracite/North/custom colour).
- **Corner variant:** aV100 ALD, aV160 ALD and aV200 ALD Corner ventilation devices (referred to in the further text as the "Corner variant") for integration of the exterior closure into the window reveal (white/grey/anthracite/North/custom colour).
- **Nordic variant:** aV100 ALD, aV160 ALD and aV200 ALD Nordic ventilation devices (referred to in the further text as the "Nordic variant") for the integration of the exterior closure in clinker brick walls (white/grey/anthracite/North/custom colour).

<sup>1)</sup> Sound insulation lining available on the aV160 ALD and aV200 ALD. Inventin<sup>®</sup> only available on the aV200 ALD.

<sup>2)</sup> "Flex weather protection hood" exterior closure and "Corner reveal grille" available in stainless steel or optionally in aluminium [increased salt resistance].

<sup>3)</sup> "Flex aV100 weather protection hood" and "Nordic" exterior closures only available in aluminium

## 2.1 Construction

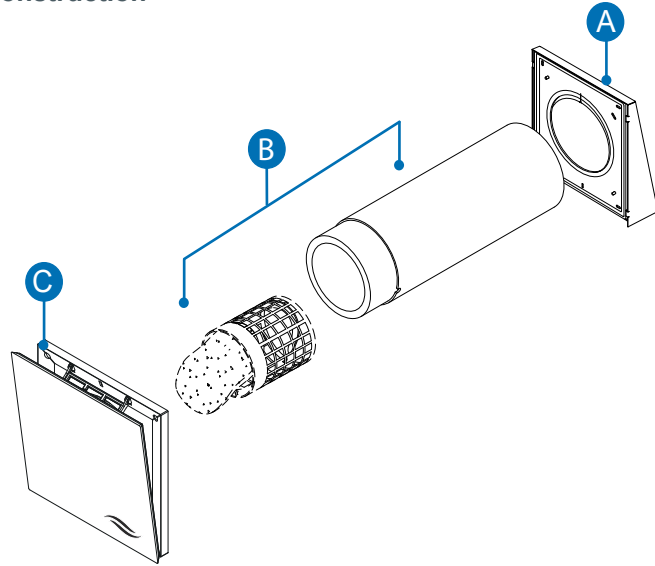


Figure 1: Example: aV160 ALD Plus ventilation device

Ventilation device		Inner cover variant	Wall sleeve	Exterior closure variant
aV100 ALD (Ø 103 mm)	Basic	ALD 100	R-D103x495 wall sleeve	WPG <sup>1)</sup> aV100
	Plus			WPH <sup>1)</sup> Flex aV100
	Corner			Reveal grille
	Nordic			External grille
aV160 ALD (Ø 160 mm)	Light	Light ALD	R-D160x495 wall sleeve (745)	WPG <sup>1)</sup> Light
	Plus			WPH <sup>1)</sup> Flex
	Corner			Reveal grille
	Nordic			External grille
aV200 ALD (Ø 200 mm)	Standard	Flair Zero ALD	R-D200x495 wall sleeve (745)	WPH <sup>1)</sup> Flex Zero
	Corner			Reveal grille
	Nordic			External grille
			Sound insulation lining	Inventin®

<sup>1)</sup> WPG= Weather protection grille | WPH= Weather protection hood

## 2.2 Function

### Extract air devices and air flow openings

The aV ALD ventilation device is installed in the supply air space, which forms a spatial connection with the extract air device.

The vacuum created by the extract air device ensures that the outdoor air flows in on its own.

The outdoor air inlets have a filter system to ensure the minimum hygiene requirements and are equipped as standard with a storm shield.

The air volume is regulated via the lower part of the inner cover. There is a mechanism for changing the opening angle.

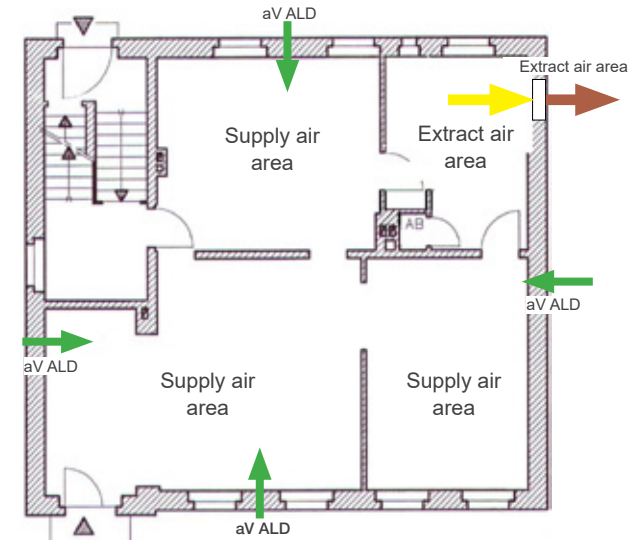


Figure 2: Installation example: Aventus extract air system in combination with aV ALD as the outdoor air supply

### 3 Operation

The ventilation system can be opened or closed via the inner cover.

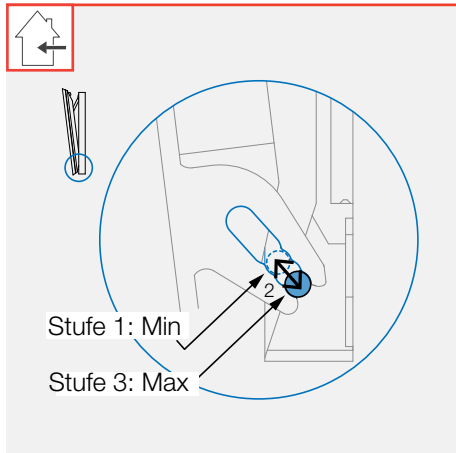
For the ventilation device to function correctly, the inner cover of your ventilation device must be open.

To reduce noise and direct the air flow, the inner cover panel can be moved to a narrower position. The inner cover is closed on the tilted side and the air flow is directed in the open direction. This causes the sound pressure level to decrease. The air flow is reduced if the inner cover is only partially open.

#### 3.1 Setting the flow rate

##### ALD 100 inner cover / Light ALD inner cover

The air volume is regulated via the lower part of the inner cover. There is a mechanism for changing the opening angle.



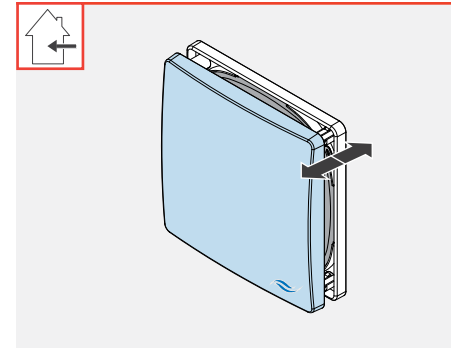
##### Requirement:

- The inner cover is installed and open.

- ▶ Set the opening angle as follows to increase/decrease the air flow.
- ▶ Adjust the lower locking hook to the required level (for air flows, see tech. data / pressure / flow rate curves) by lifting it out slightly in the lower part of the inner cover

⇒ You have set the air flow

##### Flair Zero ALD inner cover



##### Requirement:

- The cover is fitted and open.

##### Closing the inner cover:

- ▶ Push the inner cover panel towards the interior wall up to the base plate.

##### Opening the inner cover:

- ▶ Pull the inner cover panel forwards until you feel all four spacers snap into place.

⇒ You have set the air flow

### 4 Cleaning and care



##### CAUTION

##### Cleaning/care by children and persons with limited abilities.

Injury to persons and/or incorrect functioning of the ventilation system!

- No cleaning or care activities may be performed on the ventilation device by children or persons who are not fully capable of safely doing so due to their physical, sensory or mental capabilities, inexperience or lack of knowledge.

The aV ALD device requires virtually no maintenance.

In order to maintain full functionality and performance and to ensure good air quality, the ventilation device must be checked every six months for contamination of the wall sleeve and filter. Adjust the cleaning interval as required or to the air quality.

##### Cleaning agents



##### NOTICE:

Due to the scratch-sensitive plastic surface of the inner cover, damage may occur to the surface.

- Do not use sand, soda, acid or chlorine-based cleaning agents.

A commercially available detergent in warm water can be used for cleaning. The following tools may be used for cleaning:

- lint-free, soft cloth.

## Cleaning recommendations

The measures and intervals listed here are recommended by inVENTer GmbH to maintain the functionality and performance of the aV ALD ventilation devices.

Depending on requirements and/or air quality, your personal cleaning plan may differ from these recommendations.

Interval	Module	Cleaning measure
<b>Cleaning from the interior room</b>		
Monthly	Pollen filter	Replace the used filter.
	Inner cover	Clean the surface of the cover with a damp cloth.
Quarterly	Dust filter	Wash the dust filter in warm water. <b>Or</b> Replace worn dust filters.
Half-yearly	Sound insulation lining made of Inventin®	Wipe the sound insulation lining with a slightly damp, soft cloth. Replace worn or defective sound insulation linings.
Yearly	Filter cartridge	Wash the filter cartridge with warm water and detergent.
	Inner cover base plate	Clean the surface of the base plate with a damp cloth.
<b>Cleaning from the outside</b>		
Yearly	Exterior closure of the weather protection hood	Clean the surface of the cover and the protective grid at the outlet opening with a damp cloth.
	Flat duct	Remove the reveal grille. Clean the inside of the flat duct with a damp cloth. Screw the reveal grille back onto the flat duct.

## Brief summary of cleaning

To clean and check the components of the ventilation device, first remove the inner cover panel. Removal of the components is otherwise not possible.

- 1 Remove the inner panel's cover.
- 2 Remove the
  - filter cartridge,
  - sound insulation lining and/or Inventin®<sup>1)</sup>.
- 3 Clean the washable dust filter (the pollen filter cannot be washed). Allow the filter to dry again completely afterwards.
- 4 Insert the cleaned or a new dust filter into the filter cartridge.
- 5 Wipe the interior of the wall sleeve with a damp cloth.
- 6 Insert the components in the reverse order back into the wall sleeve:
  - Inventin® and/or sound insulation lining<sup>1)</sup>,
  - Filter cartridge.
- 7 Close the inner cover
- 8 Set the air flow.



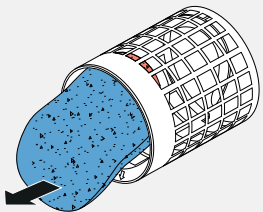
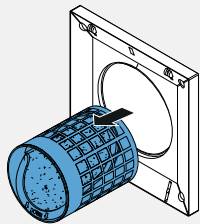
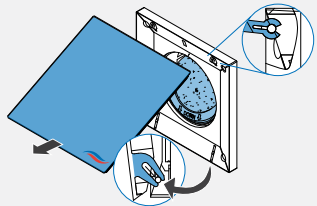
On the following pages you will find detailed descriptions for cleaning the individual components of the ventilation device. Read these carefully before cleaning each component and pay particular attention to additional information that is not included in the brief summary.

<sup>1)</sup> Sound insulation lining and/or Inventin® only available on the aV160 ALD and aV200 ALD

## 4.1 Cleaning / replacing the dust filter

**i** The dust filters included in the scope of supply are reusable and can be washed under warm running water. Replace excessively dirty or defective filters!

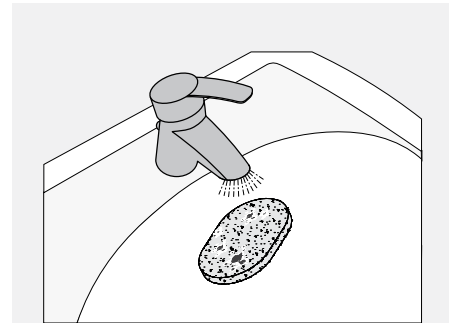
### ALD 100 / Light ALD inner cover



▶ Carefully release the inner cover from the locking hooks in the lower and then the upper section of the casing.

▶ Then pull the filter cartridge out of the wall sleeve.

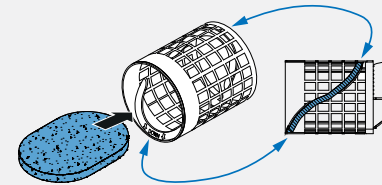
▶ Remove the dirty filter from the filter cartridge.



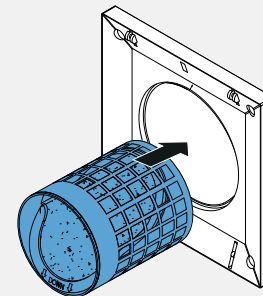
▶ Clean the dust filter under warm running water.

**i** Once the filter has been removed, access to the wall sleeve (aV100 ALD) and/or sound insulation lining (aV160 ALD) is clear. Before the dust filter and filter cartridge are inserted again, wipe out the wall sleeve (aV100 ALD) and/or sound insulation lining (aV160 ALD) with a damp cloth

▶ Wait until the dust filter is completely dry **or** dispose of the dust filter if it is defective.



▶ Insert the cleaned **or** a new dust filter into the filter cartridge.

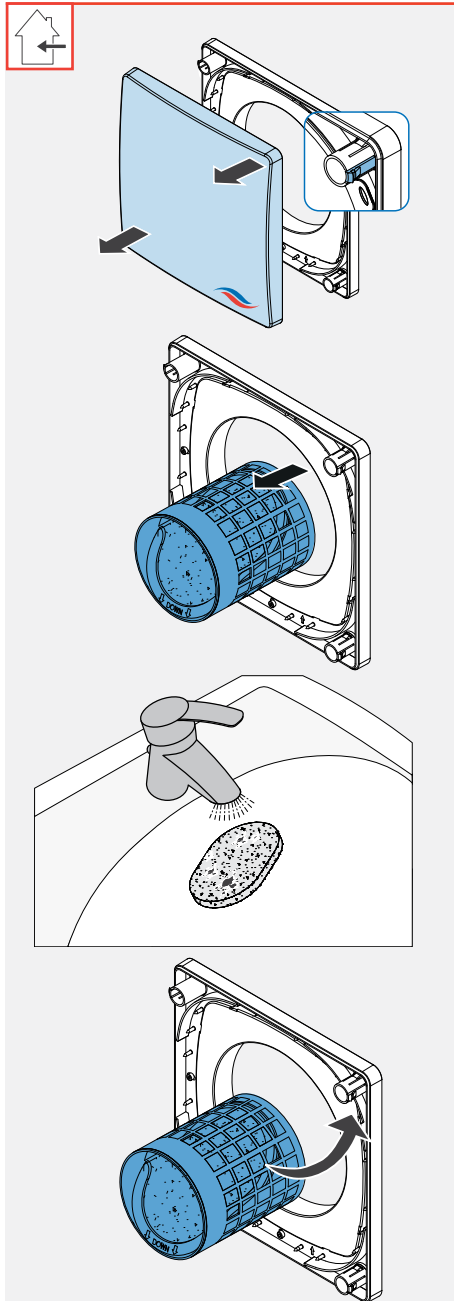


▶ Slide the filter cartridge into the wall sleeve flush with the interior wall

⇒ You have cleaned / changed the dust filter



## Flair Zero ALD inner cover



- ▶ Open the inner cover
- ▶ Press the side detent lugs inwards on the inner cover's spacers.
- ▶ Pull the inner cover panel forwards.
- 👁️ ! Disengage all spacers.
- ▶ Remove the inner cover panel from the front.
- ▶ Then pull the filter cartridge out of the wall sleeve.

**i** Once the filter has been removed, access to the sound insulation lining and Inventin® is clear. Before reinserting the filter cartridge, wipe out the sound insulation lining and Inventin® as well as the wall sleeve with a damp cloth.

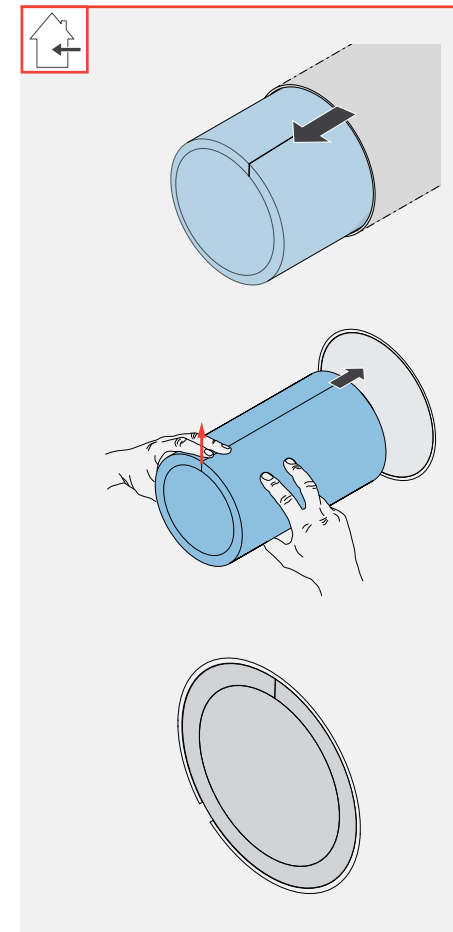
- ▶ Clean the dust filter under warm running water.
- ▶ Wait until the dust filter is completely dry **or** dispose of the dust filter if it is defective.
- ▶ Slide the filter cartridge into the wall sleeve flush with the interior wall

⇒ You have cleaned / changed the dust filter

## 4.2 Clean the sound insulation lining and Inventin®

- i** Inventin® is a high-performing, patented material for use in decentralised ventilation devices. It absorbs sound waves from outside and from the device itself (sound transmission and inherent sound).
- i** The sound insulation lining is part of the aV160 ALD. On the aV200 ALD, Inventin® is also installed in addition to the sound insulation lining.
- i** Below you will find general instructions for all ALD devices. A more detailed description of the individual parts can be found in the installation instructions for your device. The latest version can be found at [www.inventer.de/downloads](http://www.inventer.de/downloads).

### Clean the sound insulation lining



#### Requirement

- The inner cover panel has been removed.
- The filter cartridge has been removed.

- ▶ Remove the sound insulation lining from the wall sleeve.
- ▶ Clean the sound insulation lining with a damp cloth.

**!** **NOTICE: Using harsh cleaning agents or rough cloths can scratch the surface of the mats!**

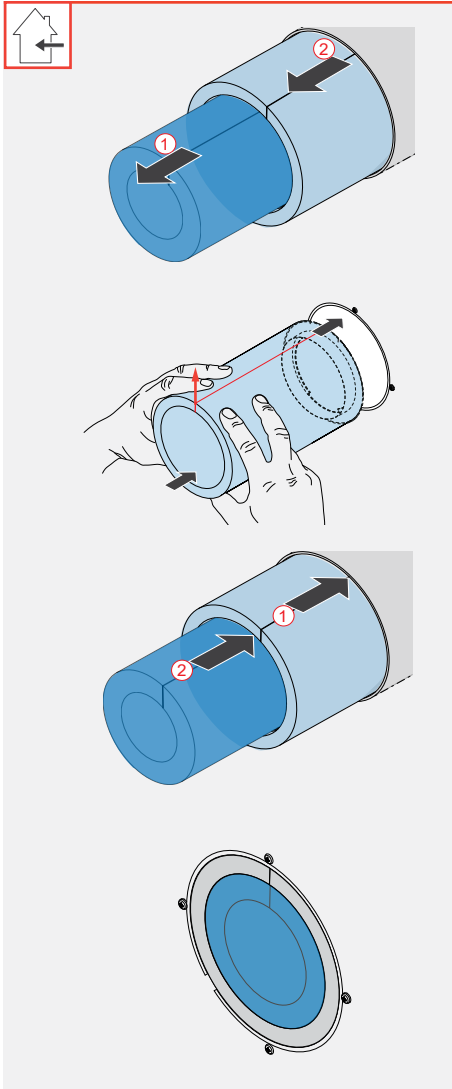
- Clean the sound insulation lining carefully.

**i** Once the sound insulation lining has been removed, access to the wall sleeve is clear. Wipe the wall sleeve down with a damp cloth.

- ▶ Reinsert the sound insulation lining into the wall sleeve

⇒ You have cleaned the sound insulation lining.

## Clean the sound insulation lining and Inventin®



### Requirement

- The inner cover panel has been removed.
- The filter cartridge has been removed.

- ▶ ① Carefully remove the sound insulation lining from the Inventin®.
- ▶ ② Carefully remove the Inventin® from the wall sleeve.



**NOTICE: Using harsh cleaning agents or rough cloths can scratch the surface of the mats!**

- Clean the sound insulation lining and Inventin® carefully.

- ▶ Clean the sound insulation lining and Inventin® with a damp cloth

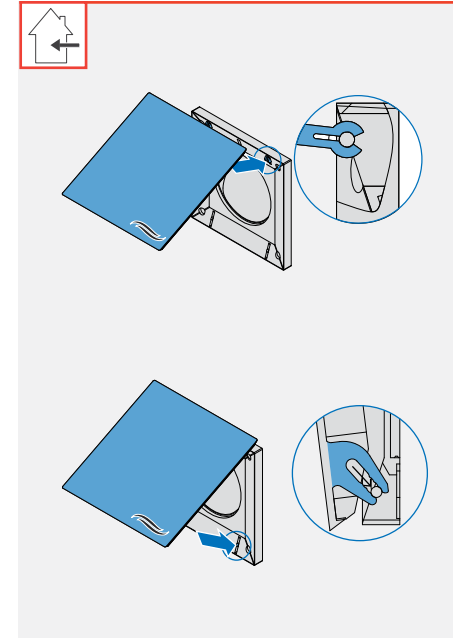


Once the sound insulation mats have been removed, access to the wall sleeve is clear. Wipe the wall sleeve down with a damp cloth before reinserting the insulating mats.

- ▶ ① Insert the Inventin® back into the wall sleeve
  - ▶ ② Reinsert the sound insulation lining into the Inventin®.
- ⇒ You have cleaned the sound insulation lining and the Inventin®.

## 4.3 Attaching the inner cover panel

### ALD100 inner cover | Light ALD inner cover



### Requirement:

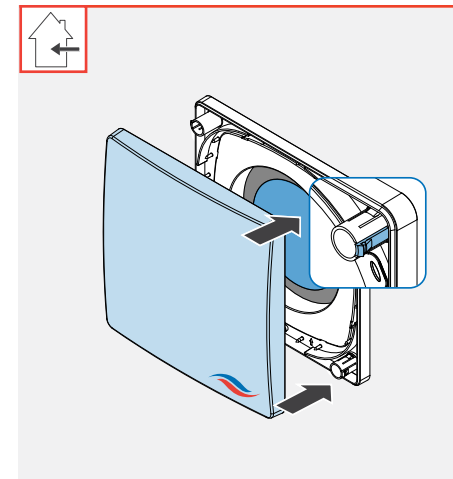
- The filter cartridge is installed.
- ▶ Attach the top of the inner cover to the locking hook on the casing.
- ▶ Fold the lower area onto the casing.



The inVENTer logo is located at the bottom right.

- ⇒ All spacers noticeably snap in.
- ⇒ You have attached the inner cover.

### Flair Zero ALD inner cover



- ▶ Replace the cover on the four spacers.



The inVENTer logo is located at the bottom right.

- ▶ Press the locking lugs inwards on the spacers.
  - ▶ Slide the cover onto the spacers.
- ⇒ All spacers noticeably snap in.
- ⇒ You have attached the inner cover.

## 5 Accessories and spare parts

Contact your local distributor to order accessories for your ventilation system.

### Spare parts

Component	Item number
Basic / Plus <sup>1)</sup> variant exterior closure: Weather protection hood including sealing tapes	
aV100 weather protection grille, white – RAL 9010	1508-0096
Flex aV100 weather protection hood, white – RAL 9016	1508-0207
Flex aV100 weather protection hood, grey – RAL 9006	1508-0208
Flex aV100 weather protection hood, anthracite – RAL 7016	1508-0209
Flex aV100 weather protection hood, custom colour	1508-0210
Light / Plus <sup>1)</sup> variant exterior closure: Weather protection hood incl. sealing tapes	
Light weather protection grille, white – RAL 9010	1508-0110
Flex weather protection hood, white – RAL 9016	1508-0157   1508-0171 <sup>2)</sup>
Flex weather protection hood, grey – RAL 9006	1508-0158   1508-0172 <sup>2)</sup>
Flex weather protection hood, North – RAL 7011	1508-0159
Flex weather protection hood, anthracite – RAL 7016	1508-0160   1508-0173 <sup>2)</sup>
Flex weather protection hood, custom colour	1508-0161   1508-0174 <sup>2)</sup>
Standard variant exterior closure <sup>1)</sup> : Weather protection hood incl. sealing tapes	
Flex-Zero weather protection hood, white – RAL 9016	1508-0162   1508-0175 <sup>2)</sup>
Flex-Zero weather protection hood, grey – RAL 9006	1508-0163   1508-0176 <sup>2)</sup>
Flex-Zero weather protection hood, North – RAL 7011	1508-0164
Flex-Zero weather protection hood, anthracite – RAL 7016	1508-0165   1508-0177 <sup>2)</sup>
Flex-Zero weather protection hood, custom colour	1508-0166   1508-0178 <sup>2)</sup>
Wall sleeve with Styrofoam discs and mounting wedges	
R-D103x495 wall sleeve	1506-0099
R-D160x495 wall sleeve	1506-0068
R-D160x745 wall sleeve	1506-0069
R-D200x495 wall sleeve	1506-0070
R-D200x745 wall sleeve	1506-0071
Inner cover	
Light ALD inner cover	1505-0067
ALD100 inner cover, white	3008-0085
Flair Zero ALD inner cover	1505-0068

<sup>1)</sup> Article numbers of the exterior closure variants in the separate installation instructions of the respective exterior cover


<sup>2)</sup> Special variant: consisting of aluminium, with increased salt resistance

### Accessories

Component	Item number
aV100 ALD pollen filter	1004-0163
aV100 ALD flicker filter	1004-0165
Simplex 365 incl. WEH R-D103x495	1506-0107
Simplex 365 incl. WEH R-D160x495	1506-0106
Simplex 365 incl. WEH R-D200x495	1506-0105
WEB D180 V-210x249x120 wall installation block	3008-0078
WEB D120 V-210x249x120 wall installation block	3008-0080
WEB D230 V-280x280x365 wall installation block	3008-0081

## 6 Troubleshooting and disposal

### 6.1 Troubleshooting

Fault	Possible cause	Remedy
Flow rate	Flow rate too low	Slide the cover to a larger opening.
	Flow rate too high	Slide the cover briefly to a smaller opening.  The inner cover must not be permanently closed.
Noises	Foreign body in the ventilation device.	Remove the foreign body from the ventilation device.
Supply air is cold	No heat recovery possible	Upgrade to a device / system with heat recovery <sup>1)</sup>

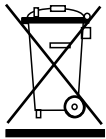
<sup>1)</sup> only with aV160 ALD and aV200 ALD

## 6.2 Disposal

### Dismantling

Dismantle the ventilation device in the opposite sequence to the assembly sequence. You can subsequently dispose of your old device. Please note the disposal recommendations outlined below.

### Disposal



The products described in these operating instructions contain valuable materials which can be recovered and recycled. The separation of waste materials into different varieties facilitates recovery of the recyclable materials. Contact an electronic appliance disposal company to arrange environmentally friendly recycling and disposal of your old system. They will dispose of the product in compliance with the applicable national regulations. Ensure that the product's packaging is sorted correctly for disposal.

The table below contains disposal recommendations.

Product	Material	Disposal
Weather protection hood: Flex Flex aV100 Flex Zero	Powder-coated stainless steel or aluminium / ASA	Waste metal collection / collection of recyclables
Weather protection grille: aV100 Light	ASA	Recyclable material
Wall sleeve	PPs	Recyclable material
Sound insulation lining	Foam	Recyclable material
Inventin®	Inventin®	Recyclable material
Inner cover: Light ALD 100 Flair Zero ALD	PS-SZ	Recyclable material
Dust filter	TPU/PES	Domestic waste
Pollen filter	PES	Domestic waste

## 7 Guarantee and warranty

### Guarantee:

The guarantee refers to the defect-free condition of the product at the time of purchase and covers all defects that were present at the time of purchase. Failure to observe the intended use will invalidate all guarantee claims.

Outside Germany, the national guarantee provisions of the country in which the system is sold apply. Please contact the distributor for your country.

### Warranty:

inVENTer GmbH provides a five-year warranty for the wall sleeve. This covers premature product wear.

### Guarantee and warranty claims:

Further information about the guarantee is available at [www.inventer.de/garantie](http://www.inventer.de/garantie).

In the case of a guarantee or warranty claim, contact your local distributor or factory representative. In all cases, please return the complete device to the manufacturer.

The warranty is an additional offering by the manufacturer and in no way affects the applicable law.

## 8 Service

### Complaint:

Check the delivery for completeness and transport damage upon receipt using the delivery note.

Report missing items immediately, and at the latest within 14 days to your supplier, distributor or factory representative.

### Accessories and spare parts:

To order components for your ventilation device, contact your nearest dealer or our factory representative.

### Technical customer service:

For technical support contact our service staff:

 +49 (0) 36427 211-333

 [service@inventer.de](mailto:service@inventer.de)

### Annex 1: Cleaning log

We recommend documenting the cleaning measures carried out in the following table. Recommendations on the cleaning intervals can be found in section 4: Cleaning and care - Cleaning recommendations.

Date	Num-ber of devices inspected	Cleaning/control measure <sup>1)</sup>			Comment	Name/ Signature
		A	B	C		
		Component				

<sup>1)</sup> Cleaning/control measure: Control (K) / Cleaning (R) / Change (W)

Component	Description / Scope	Measure
A	Inner cover	Clean
B	Wall sleeve, Inventin®, sound insulation lining, filter cartridge	Clean / Filter: Check, clean or replace if necessary (depending on filter type)
C	Accessories	Check, clean or replace if necessary

inVENTer GmbH  
Ortsstraße 4a  
07751 Löberschütz  
Germany  
[www.inventer.de](http://www.inventer.de)

Subject to modifications.  
No liability for printing errors.

**Item number: 5012-0017**  
**Version: 1.0 – 11/2022**

