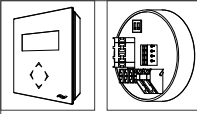


MZ-Home

Electrical connection



IP20

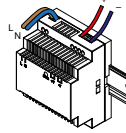


24 V DC



Input:
230 V AC, 50 Hz

Output:
24 V DC



Outputs Clust-Air module:

Control BUS: 24 V DC, 4-pole
 Fan BUS: 6.7 – 15.3 V DC, 3-pole
 Analogue input: Control voltage 0 – 10 V DC / Resolution 10 Bit
 External switching contact: Potential free (floating)

Cable cross-sections and maximum cable lengths

Control BUS:

Cable cross-section: 0.25 – 0.5 mm²
 Cable J-Y(ST)Y-2x2x0.8: 24 V DC
 Maximum cable length: 200 m

Humidity-temperature sensor:

Cable cross-section: 0.25 – 0.5 mm²
 Cable J-Y(ST)Y-2x2x0.8: 5 V DC
 Maximum cable length: 15 m

Fan BUS:

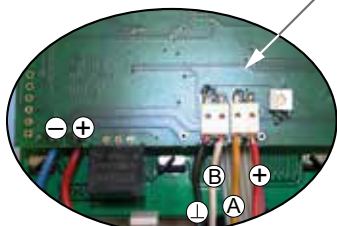
Cable cross-section: Minimum 0.75 mm²
 Cable LIYY3x0.75-O: 6.7 – 15.3 V DC
 Maximum cable length:

- 1 Star shaped** connection of ventilation units to the controller:

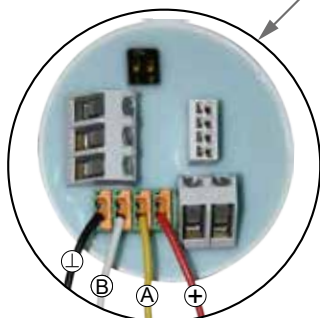
| | |
|--|----------------|
| Clust-Air module with 2 – 4 ventilation units IV-Smart+/IV14-Zero/IV-Light/IV-Compact: | Max. 33 m each |
| Clust-Air module with 1 – 2 ventilation units IV25/IV-Twin: | Max. 20 m each |
- 2** Connection of ventilation units to the controller **sequentially**, Maximum distance between controller and last connected ventilation unit:

| | |
|--|-----------|
| Clust-Air module with 4 ventilation units IV-Smart+/IV14-Zero/IV-Light/IV-Compact: | Max. 10 m |
| Clust-Air module with 2 ventilation units IV-Smart+/IV14-Zero/IV-Light/IV-Compact: | Max. 20 m |
| Clust-Air module with 2 ventilation units IV25/IV-Twin: | Max. 10 m |

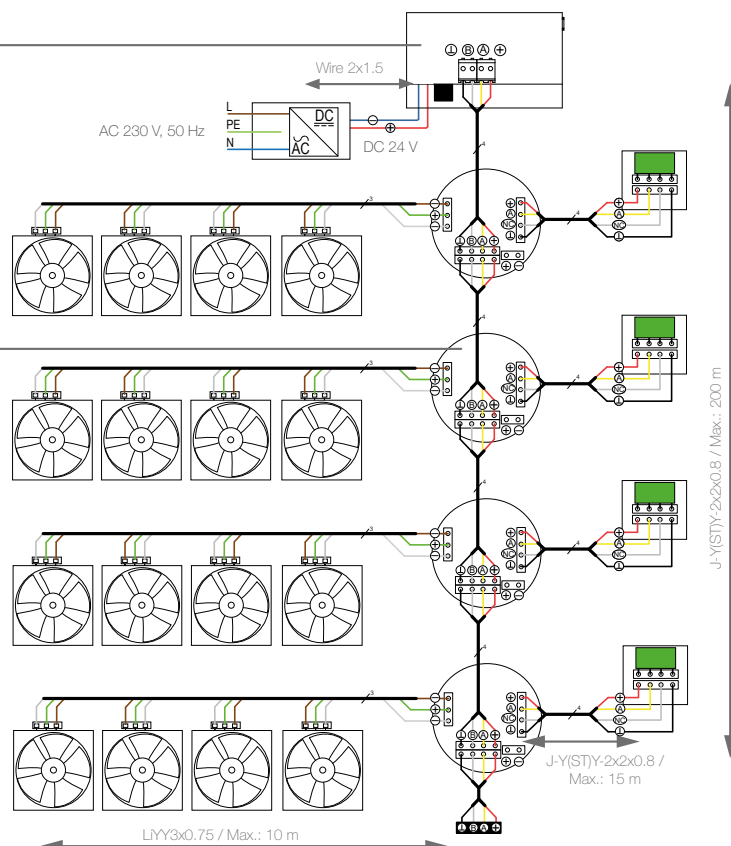
Wiring



Rear side:
PCB of programming unit



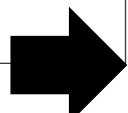
Front view:
Clust-Air module

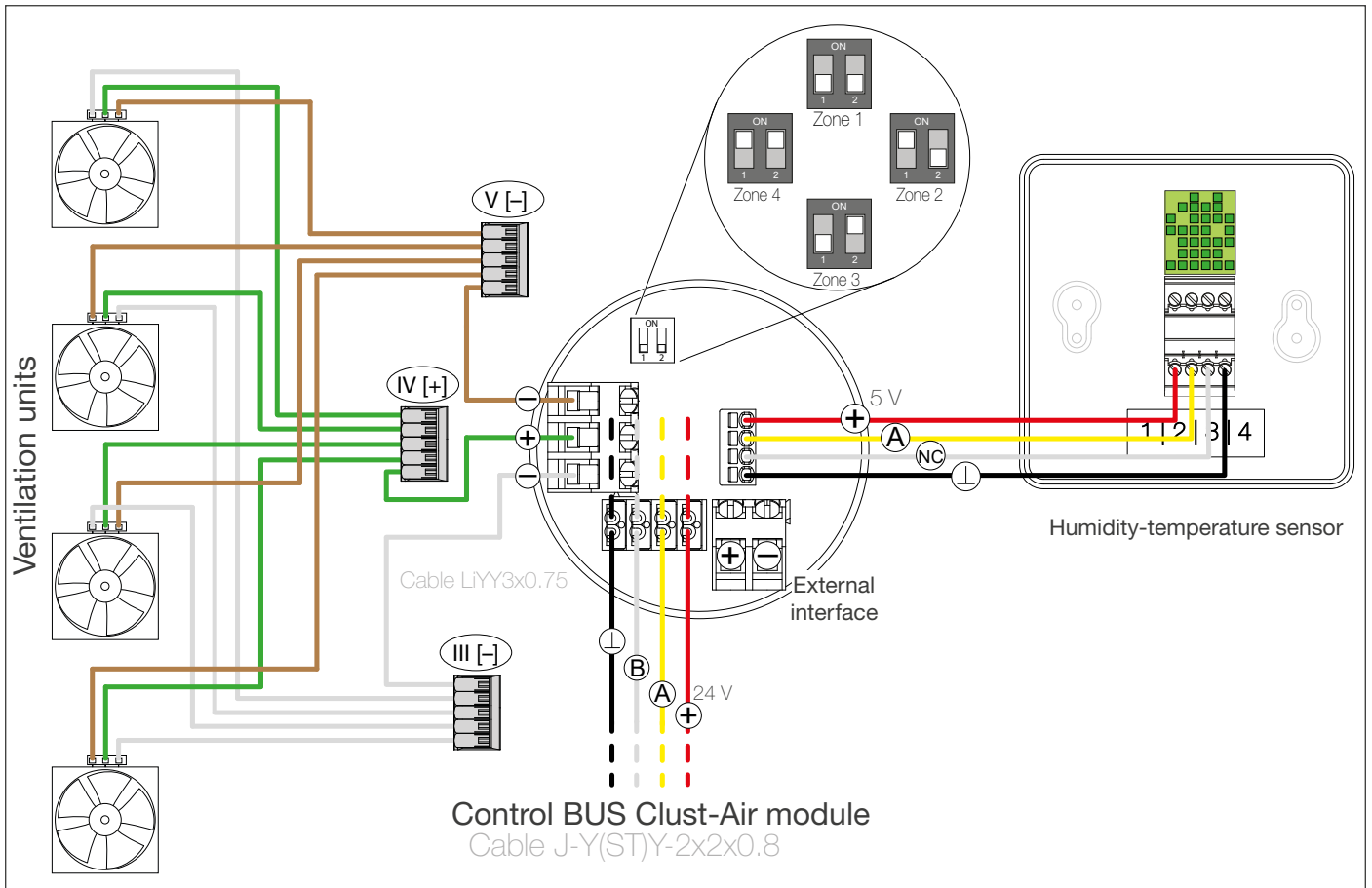


J-Y(ST)Y-2x2x0.8 / Max.: 200 m

J-Y(ST)Y-2x2x0.8 / Max.: 15 m

LIYY3x0.75 / Max.: 10 m





Installation overview

