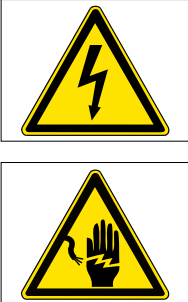
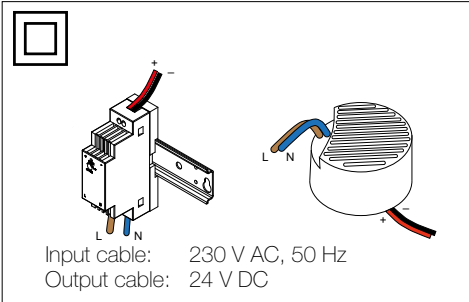



# sMove s4 / s8

## Wiring



	 <p>Input cable: 230 V AC, 50 Hz Output cable: 24 V DC</p>	 <p>Operating voltage: 24 V DC Fan-BUS: 6.7 – 15.3 V DC; 3-pole Analogue input: Control voltage 0 – 10 V DC Resolution 10 Bit External switching contact: Potential free (NOC)</p>
---	---	--

### Cable cross-section and maximum cable length

#### PSU mains connection:

Wire cross-section: 0.75 – 1.5 mm<sup>2</sup>  
Wire 2x1.5: 230 V AC

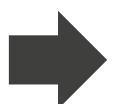
#### Operating voltage cable:

Wire cross-section: 0.75 – 1.5 mm<sup>2</sup>  
Wire 2x1.5: 24 V DC  
Maximum cable length between power supply unit (PSU) and controller: max. 100 m

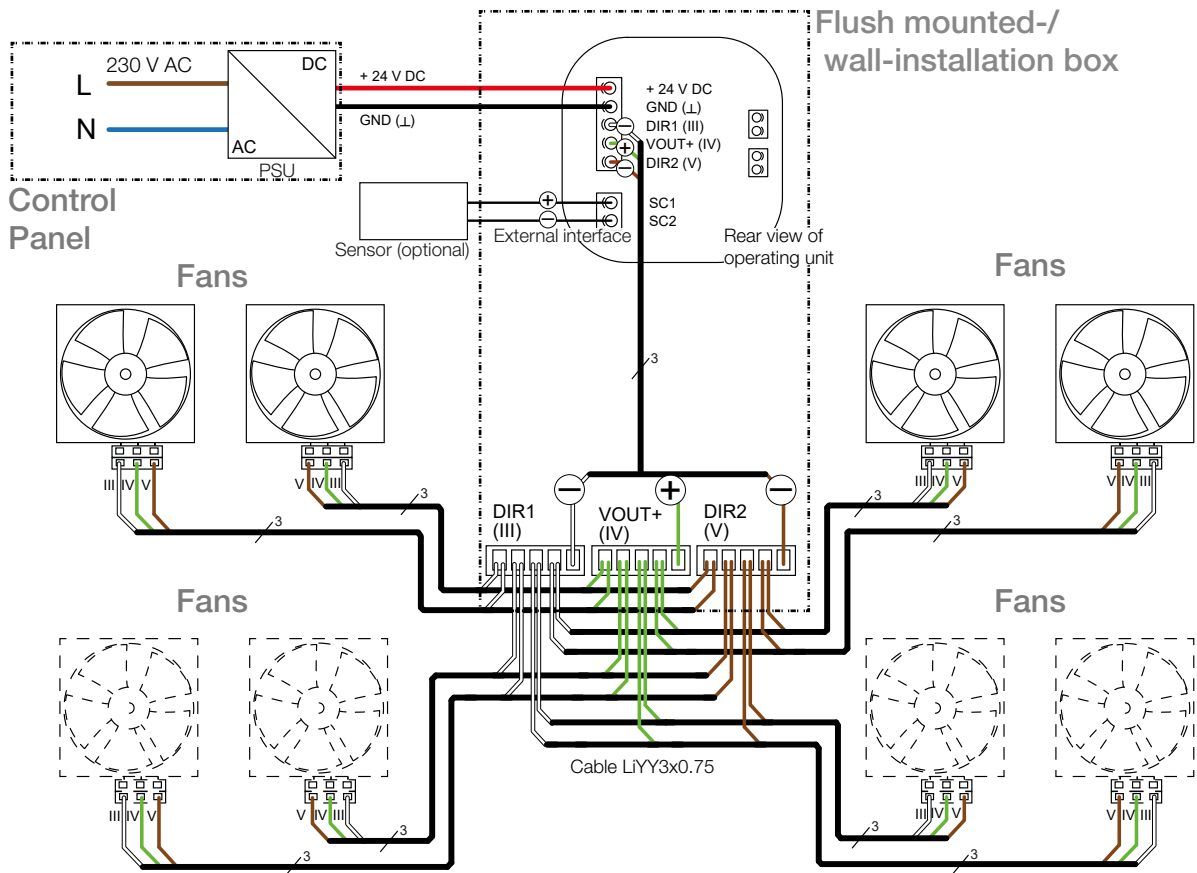
#### Fan BUS:

Wire cross-section: min. 0.75 mm<sup>2</sup>  
Cable LiYY3x0.75: 6.7 – 15.3 V DC  
Maximum cable length:

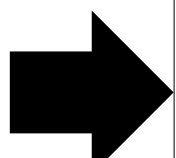
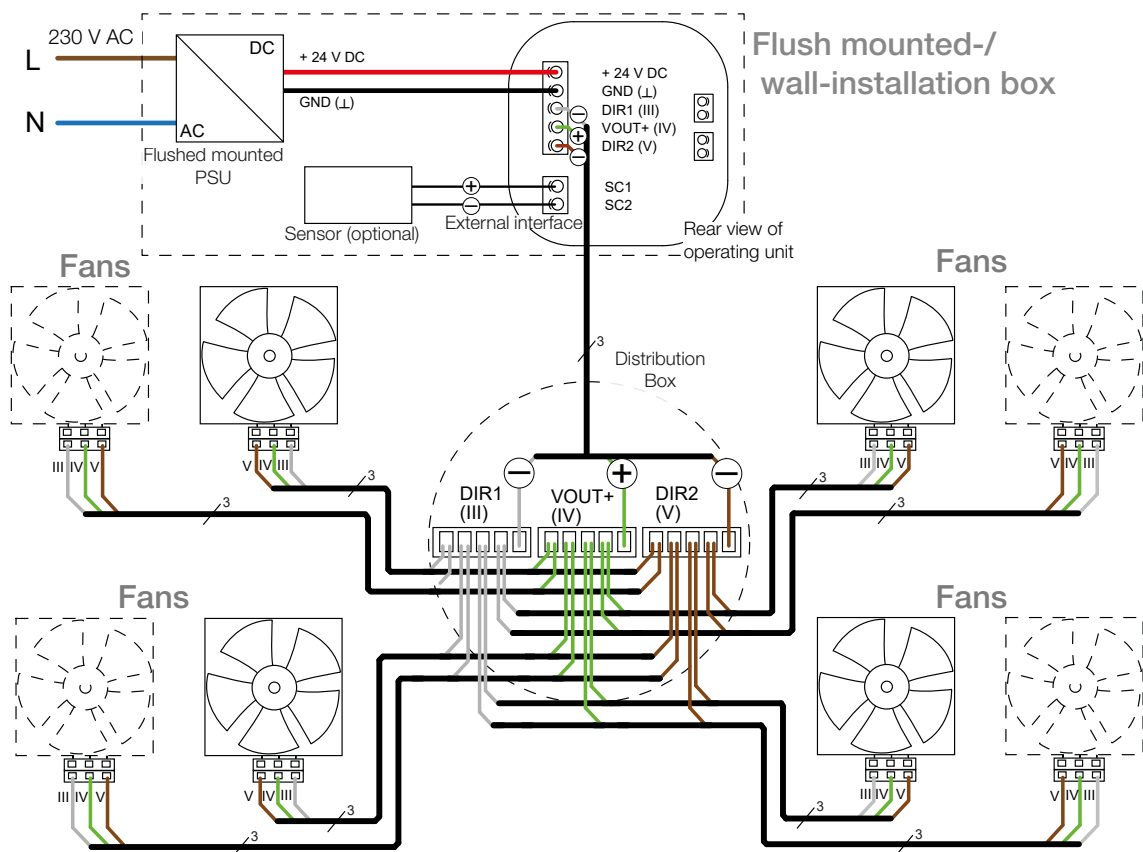
Cable	Cross-section/cable type and cabling	Maximum length (controller to last connected device)	
Fan BUS	Ventilation devices with Xenion reversible fan		
		Star-shaped connection	33 m
		Connection in series (2 devices)	25 m
		Connection in series (4 devices)	15 m
	sMove s8 only	Connection in series (8 devices)	10 m
	Ventilation devices with Xenion-EFP / Mini-Xenion reversible fans		
		Star-shaped connection	25 m
		Connection in series (2 devices)	15 m
sMove s8 only	Connection in series (4 devices)	10 m	



## sMove s4/s8 incl. control panel PSU



## sMove s4 / s8 incl. flush mounted PSU



# Brief installation overview

