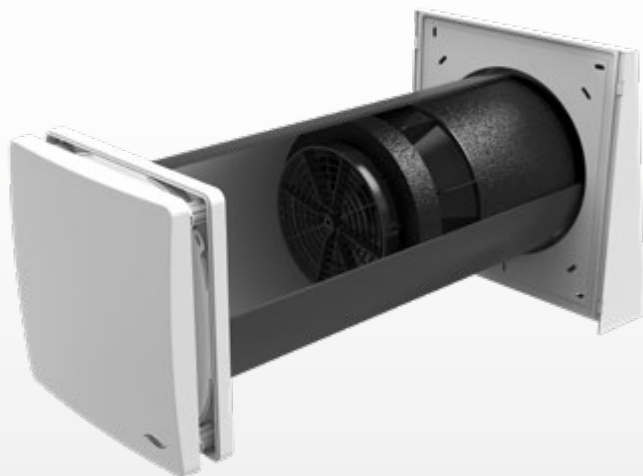




inVENTer

Installation instructions

iV14-MaxAir



Trademarks, copyrights and property rights

inVENTer®, Xenion®, inVENTron®, Inventin® and Clust-Air® are registered trademarks of inVENTer GmbH.

The copyright to this document remains with the manufacturer.
Rights to all content and images: © inVENTer GmbH.

All trademarks used in this document are the property of their respective manufacturers and are hereby acknowledged.

Disclaimer

This documentation represents an translation of the original installation instructions. After completion of the installation it must be given to the user (tenant, owner, property management, etc.). The content of this documentation has been checked for compliance with the described components. Nevertheless deviations may still occur, therefore no guarantee of compliance can be provided.

This documentation describes the functionality of the standard scope. For reasons of clarity, the documentation does not purport to cover all details on all types of the product and cannot cover every conceivable scenario for installation and assembly.

The illustrations in this document may differ slightly from the design of the product that you have purchased. The same functionality is ensured despite any design deviations.

This documentation is updated regularly. Necessary corrections and appropriate supplements are always included in subsequent editions. You can also find the latest version at **www.inventer.de/downloads**.

Company information

Publisher:

inVENTer GmbH
Ortsstraße 4a
07751 Löberschütz
Germany

Phone: +49 (0) 36427 211-0
Fax: +49 (0) 36427 211-113
E-mail: info@inventer.de
Web: www.inventer.de

CEO: Annett Wettig
VAT ID number: DE 815494982
Jena District Court HRB 510380

Table of contents

- 1 User and safety instructions 4**
 - 1.1 User information..... 4
 - 1.2 Safety instructions..... 5

- 2 System overview: iV14-MaxAir ventilation unit 8**
 - 2.1 Construction 9
 - 2.2 Function 10
 - 2.3 Control elements 11

- 3 Preparing for installation 12**
 - 3.1 Installation position..... 12
 - 3.2 Position of the wall opening 13
 - 3.3 Dimensions 13
 - 3.4 Sectional drawing of the ventilation unit..... 14
 - 3.5 Dimensional drawings of components 15

- 4 Installation and assembly 16**
 - 4.1 Check the scope of supply..... 16
 - 4.2 Create wall opening 17
 - 4.3 Laying the cables to the wall opening of the ventilation unit..... 18
 - 4.4 Installing the wall sleeve 20
 - 4.5 Installing the ventilation unit's external termination..... 23
 - 4.6 Inserting the thermal accumulator insert..... 26
 - 4.7 Electrical connection of the reversible fan..... 27
 - 4.8 Check function and complete fan installation..... 29
 - 4.9 Installing the inner cover 30

- 5 Technical data 32**
 - 5.1 General specifications..... 32
 - 5.2 iV14-MaxAir energy label according to ErP Directive, Regulation 1254/2014..... 33
 - 5.3 Specifications according to ErP Directive, Regulation 1254/2014 34

- 6 Scope of supply 36**

- 7 Troubleshooting 37**

- 8 Guarantee and warranty 38**

- 9 Service..... 38**

1 User and safety instructions

Thank you for purchasing this high quality product from inVENTer!

This section provides an overview of the basic safety precautions for safe and proper operation of your ventilation system.

1.1 User information

Safety and warning instructions

The safety and warning instructions in these installation instructions have a uniform structure and are marked with a symbol on the left side of the instruction. A signal word in front of the text also indicates the hazard level. If several hazard levels exist, the highest level safety instruction is always used.

The safety and warning instructions contain the following information:



SIGNAL WORD: Type and origin of the hazard. Possible consequences of the hazard!
Measures to avoid the hazard.

The signal word indicates the severity of the potential hazard unless the preventive measures are taken:



DANGER means: Imminent danger of serious injury or death.



WARNING means: Possible danger of serious injury or death.



CAUTION means: Direct danger of minor/significant injury.



NOTICE means: Direct or possible risk of property damage due to an adverse event/state.

If you see these signs, ensure you observe the described measures to prevent possible hazards and/or damage.

Other symbols used in this documentation

In addition to the safety instructions, the following symbols are used:



A **TIP** symbol indicates practical and useful tips for handling your ventilation system.



Before each step, any additional tools and materials required for the activity are listed.



Red bar over a graphic: graphic shows the interior wall.



Blue bar over a graphic: graphic shows the exterior wall.



Action required: This prompts the user to perform a specific action.



Check the results requires you to check the results of the action you have performed.



Action focus: To be taken into account in the corresponding assembly step.

1.2 Safety instructions

The installation instructions are part of your iV14-MaxAir ventilation unit and must be available at all times (see www.inventer.de/downloads). When handing the system to a third party, the information regarding access to the installation instructions must be handed over also.

Before performing any work on the unit/system, read the installation instructions carefully and observe all notices that refer to the installation process in this section. Also note the safety instructions that precede the described handling instructions.

Non-observance of safety instructions could result in injury and/or property damage.

These installation instructions only cover the standard variant (referred to as the "Standard variant" in the following text) of the iV14-MaxAir ventilation unit. Information on the variants can be found in the separate installation instructions for the respective components.

Intended use

The ventilation unit is designed to ventilate dwellings and similar residential spaces.

It is controlled via an inVENTer system control unit (hereinafter referred to as the "controller").

General information

- Always observe the relevant standards, regulations and guidelines when installing the equipment / system. In particular also applicable building regulations, fire safety regulations and accident prevention regulations of the employers' liability insurance association.
- Use the unit/system exclusively for the applications that are described in this documentation and only in conjunction with components that are recommended, authorised and described by inVENTer GmbH in this documentation.
Changes or modifications to the equipment/system are not permitted.
- Your ventilation system is exclusively designed for use in ambient temperatures between -20 and 50 °C.
- Trouble-free and safe operation of the equipment / system depends on proper transportation, proper storage and installation, as well as careful operation and cleaning / care.

Installation and assembly



- **CAUTION: The system may only be installed by qualified personnel.**
- Before starting work, you should have a project plan showing the number of ventilation units, the location of the ventilation units, the ventilation principle (cross ventilation, single room ventilation, extract ventilation) and the associated controllers. The exact positioning of the individual units and control units must be checked at the installation site and, if necessary, adapted to the local conditions with the involvement of the responsible planner or user. For optimum functionality, it is recommended to install the unit at an appropriate place in the upper wall area.



- **WARNING:** For joint operation with fireplaces, safety measures must be taken to prevent a negative pressure from developing in the building. The responsible chimney sweep and/or building planner decides which measures need to be carried out.
- **NOTICE:** The ventilation unit is not suitable for drying out buildings. Do not put it into operation until the construction work has been completed.
- **NOTICE:** Contamination of components, e.g. by plaster residue, will damage the components! Seal the ventilation unit/air outlets of the ventilation unit so they are dust-tight throughout the construction work. Do not remove the thread locks until final assembly.



- **NOTICE:** Do not install the unit near indoor air thermostats or in the immediate vicinity of/above sensitive pictures or furniture.
- **NOTICE:** Observe the specified minimum clearances on both sides of the wall and frontally to prevent unintentional mixing of different air flows and to ensure access to the device and its components. A minimum distance of 1.2 m must be maintained between adjacent air openings. (📐, page 12 f.).
- **NOTICE:** The wall sleeve must be integrated into the building envelope (airtightness level) in accordance with the current state of the art, taking into account construction-related and physical specifications ("RAL installation"). Material for this is must be provided on site.
- **NOTICE:** When bringing the wall construction up to the wall sleeve, observe the necessary blocking levels to avoid interrupting the composite thermal insulation system. Consult your planner before installation if you are at all uncertain!
- **NOTICE:** Install the wall sleeve with a slope of 1 – 2° to the exterior wall to ensure the drainage of any condensate that may form.
- **NOTICE:** Do not install the ventilation unit in places where direct contact with water spray is possible. Observe the specifications of VDE 0100 when choosing the installation location.
- **NOTICE:** Store components standing outside the wall sleeve and do not throw them to avoid damage and breakage of the components, especially the thermal accumulator.
- **NOTICE:** In order to avoid algae growth around the external terminations, the instructions for installation must be followed exactly (apply all sealing tapes!). We recommend a biocidal pre-treatment/water-repellent pre-treatment of the façade surface around the external terminations. Consult your planner about this!
- **NOTICE:** When installing components in (exterior) walls with insulation, use insulation wall-plugs to ensure that the components are securely fastened. Insulation wallplugs are not included in the scope of supply, they are available as an option!
- **NOTICE:** Only use permanently elastic sealing compound suitable for outdoor use to seal the joints at all external edges!
- **NOTICE:** The ventilation unit has scratch-sensitive plastic surfaces. Do not touch the components with oily and/or dirty hands. Avoid contact with sharp or pointed objects, e.g. rings.

Cabling / connection of the reversible fan



• **DANGER:** The system's electrical connections may only be carried out by qualified electricians.



- **NOTICE:** The ventilation unit operates with protective extra-low voltage. It must not be connected directly to the 230 V power grid.
- **NOTICE:** Laying cables whose sheathing is not resistant to plastering under plaster leads to short circuits and cable fire! Lay cables without a plaster-resistant cable sheath in the conduit.
- **NOTICE:** The use of too small a cable cross-section leads to too great a voltage drop and/or contact is not guaranteed! For the connecting cable to the controller (fan BUS), use a cable cross-section of at least 0.75 mm² (stranded wire). Use wire ferrules with collars to connect the strands.
- When using several ventilation units controlled by several controllers, you must ensure that the ventilation units are synchronised with each other (see installation instructions for controllers). You should connect all controllers via a mains fuse in the house distribution board.

If your unit has a fault, contact your nearest distributor or our technical service.

Any kind of use other than the intended use will exclude all liability claims.

Improper use

Any use that is not mentioned in the intended use section, is considered to be improper.

Especially do not install / operate the unit in areas which the following may occur:

- Environment containing strong oils or lubricants.
- Flammable, aggressive and corrosive gases, liquids or vapours.
- Extreme dust exposure.
- Ambient temperatures outside the range of -20 to 50 °C.
- Prevent obstacles that hinder access to, or removal of, components of the ventilation unit.

Qualified personnel

The equipment/system may only be set up, operated and cleaned in conjunction with this documentation and the documentation for the controllers.

Installation, electrical connection and commissioning of the equipment/system may only be performed by qualified personnel. Qualified personnel within the meaning of the safety notices in this documentation are persons who are authorised to install, put it into operation and identify equipment, systems and circuits in accordance with established safety procedures.

Conformity

The ventilation unit complies with the technical safety requirements and standards of electrical appliances for domestic use. It conforms to current European Union directives and United Kingdom standards:

- 2014/30/EC: Electromagnetic compatibility
- 2014/35/EC: Low voltage
- 2009/125/EC: Eco-design
- 2011/65/EC: RoHS

2 System overview: iV14-MaxAir ventilation unit

The iV14-MaxAir ventilation unit is a decentralised ventilation unit with heat recovery and is designed for increased air flow requirements (performance-plus device). It is suitable for installation in new buildings as well as for retrofitting in older buildings and is particularly suitable for use in large living spaces and similar commercial premises (e.g. offices, doctors' surgeries, lounges, etc.). Installation is generally carried out in the exterior wall.

The ventilation unit consists of a wall sleeve in which the thermal accumulator insert is mounted. A lockable inner cover conceals the iV14-MaxAir discreetly from the interior. The filter integrated into the inner cover ensures that no pollen or dust from outside enters the interior. Outside, a driving rain-proof cover conceals the components of the ventilation unit.

The thermal accumulator insert includes a ceramic thermal accumulator and inVENTron, two guiding vane elements and the Xenion EFP reversible fan. The guiding vanes on both sides of the fan serve to straighten the air flow and ensure more efficient flow through the thermal accumulator. The unique geometry of the Xenion EFP reversible fan effectively reduces sound transmission.

The standard length of the wall sleeve is 495 mm. For thicker walls, a wall sleeve and insert with a length of 745 mm can be ordered as an alternative.

Both versions can be shortened on site.

The ventilation unit is controlled via one of the following inVENTer system controllers¹⁾:

- sMove
- MZ-Home

Components

- Inner cover incl. ISO Coarse 60 % filter
- Thermal accumulator insert (thermal accumulator, inVENTron)
- Wall sleeve
- External termination²⁾
- Pollen and activated carbon filter (optional)
- Sound and wind protection accessories (optional)

Models

The ventilation units of the iV14-MaxAir product range differ in their external terminations. Additional inner covers are also available. This documentation only contains information on the standard version of the ventilation unit. For information on the variants of the external and internal terminations, please refer to the separate installation instructions for the respective component:

- **Standard variant:** iV14-MaxAir ventilation units with Flex driving rain-proof weather protection hood (white/grey/anthracite/custom colour).
- **Corner variant:** iV14-MaxAir Corner ventilation units (hereinafter referred to as the "Corner variant") for integration of the external termination in the window reveal (white/grey/anthracite/custom colour).
- **Nordic variant:** iV14-MaxAir Nordic variants (in the further text "Nordic variant") for the integration of the external termination in clinker brick walls (white/grey/anthracite/custom colour).

¹⁾ The installation and operating instructions for the controller are not part of this documentation.

²⁾ All external terminations are available in stainless steel or optionally in aluminium [increased salt resistance].

2.1 Construction

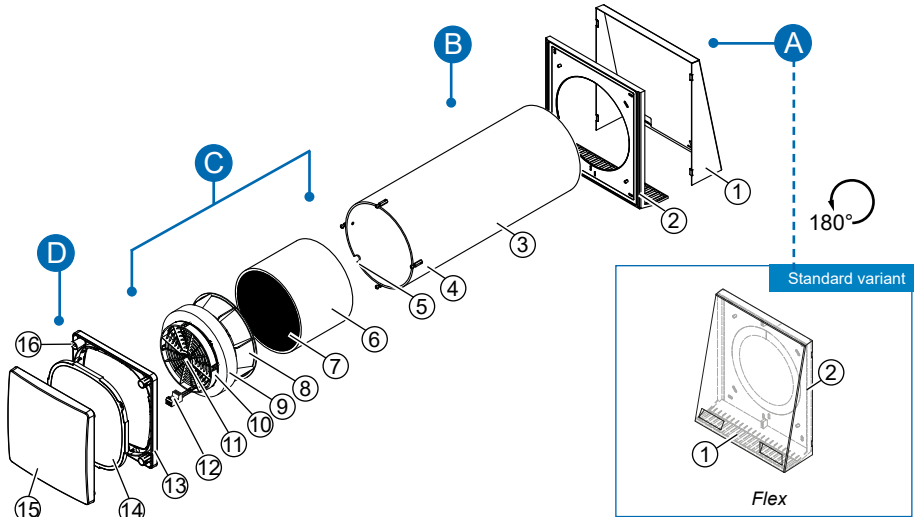


Figure 1: Overview of the iv14-MaxAir ventilation unit

Components

A External termination: Flex weather protection hood

- 1 Weather protection hood cover
- 2 Weather protection hood base plate

B Wall sleeve

- 3 R-D200 wall sleeve
- 4 Fixing elements (4 x)
- 5 Recess for controller connecting cable

C Thermal accumulator insert (thermal accumulator, inVENTron)

- 6 Thermal accumulator with insulation
- 7 Thermal accumulator handle
- 8 R-D200 guiding vane
- 9 Xenion EFP reversible fan
- 10 Slim guiding vane (narrow)
- 11 Guiding vane knob
- 12 BUS plug connection

D Flair inner cover

- 13 Inner cover base plate
- 14 ISO Coarse 60 % dust filter
- 15 Inner cover panel
- 16 Spacer (4 x)

2.2 Function

The iV14-MaxAir ventilation unit is used to provide ventilation for living spaces and living space-like commercial premises. An integrated ceramic thermal accumulator ensures optimum heat recovery.



The iV14-MaxAir ventilation unit is a ventilation unit with simple airflow and works according to the principle of heat recovery by changing the direction of the fan. The integrated thermal accumulator charges itself with heat energy from the indoor air as it flows to the exterior (extract air). After 70 seconds, the Xenion EFP reversible fan changes direction. When the fan changes direction, it releases the stored heat energy into the incoming outdoor air (supply air).

For this principle to work correctly and to ensure pressure stability in the room, the supply air volume must always correspond to the extract air volume, i.e. at least two iV14-MaxAir ventilation units are required. These are operated in pairs in push-pull mode: another ventilation unit is assigned to the ventilation unit that delivers supply air and at the same time removes used extract air from the interior to the outside.

Thanks to a high pressure build-up and the active speed control of the motor (integrated wind pressure stabiliser) in the Xenion EFP reversible fan, the air flow in the system is kept almost constant even in the event of weather-related pressure fluctuations. Thus, the sensitivity of the air flow to pressure fluctuations corresponds to class S2 according to EN 13141-8 (max. 20 % air flow deviation at ± 20 Pa).

In order to ensure the full functioning of the ventilation unit throughout the entire year, a temperature sensor is integrated into the Xenion EFP reversible fan. This measures the temperature of the air flow. If the temperature falls below $+5$ °C, the reversible fan is automatically switched to extract air mode for 4 cycles. This allows the thermal accumulator to heat up again and prevents cooling of the interior due to cold supply air. During this phase, the operating mode that has been set on the controller is ineffective. Subsequently, the controller switches the ventilation unit back to the originally selected mode.

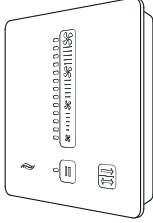
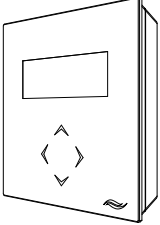
As standard, a washable ISO Coarse 60% class dust filter is integrated into the inner cover. This filters coarse dust and allergenic particles (such as coarse flower pollen) from the air before they can enter the interior. The dust filters can be used regardless of the season.

Optional pollen and activated carbon filters are available for special requirements.

A decentralised ventilation unit is based on the free movement of air between individual pairs of ventilation units. Therefore, internal doors must not have air-tight seals. Provide suitable air transfer measures to create a room network: an air gap of about 10 mm below the door, unscrew the hinges by 5 mm, use a ventilation grille or similar (cross ventilation).

2.3 Control elements

The ventilation unit is operated via an inVENTer system controller. Depending on the controller, different operating modes and functions can be set.

Designation	sMove	MZ-Home
		
Number of controllable ventilation units	Max. 4	Max. 8 (excl. sensors)
Multi-zone control	No	Yes (max. 4 zones with max. 2 devices [plus sensors] per zone)
Operating concept	<ul style="list-style-type: none"> • Touch 	<ul style="list-style-type: none"> • Touch • Weekly timer
Operating modes	<ul style="list-style-type: none"> • Heat recovery • Unidirectional ventilation • Pause function • OFF (standard only) 	<ul style="list-style-type: none"> • Heat recovery • Unidirectional ventilation • Dehumidification (integrated humidity / temperature sensor) • Pause function • OFF
Fan speed	infinitely variable, 4 levels predefined	4 power levels, freely selectable
Device communication	Cable	Cable
External interface	1 potential-free switching contact per controller: <ul style="list-style-type: none"> • Pressure switch (NC) • Other sensors (NO) 	1 potential-free switching contact per Clust-Air module (max. 4) <ul style="list-style-type: none"> • Pressure switch (NC/NO) • Other sensors (NO)

For detailed information, see the controller's installation and operating instructions.

3 Preparing for installation

3.1 Installation position

- The installation location can be derived from the position suggested by the ventilation planning. The exact positioning of the individual units and control devices must be checked on site and, if necessary, adjusted. **Consult the responsible planner about this!** For optimum function, it is recommended that the ventilation unit is installed at the appropriate point in the upper wall area (e.g. 1.80 m from the upper edge of the finished floor [OKFFB]).
- Do not place the ventilation unit near radiators, indoor air thermostats, sensitive furniture or above pictures.
- Do not install the ventilation unit in places where direct contact with water spray is possible. Observe the specifications of VDE 0100 when choosing the installation location.

Minimum distances of the wall opening for the ventilation unit:

- Minimum distances to components / building elements on the interior and exterior wall:

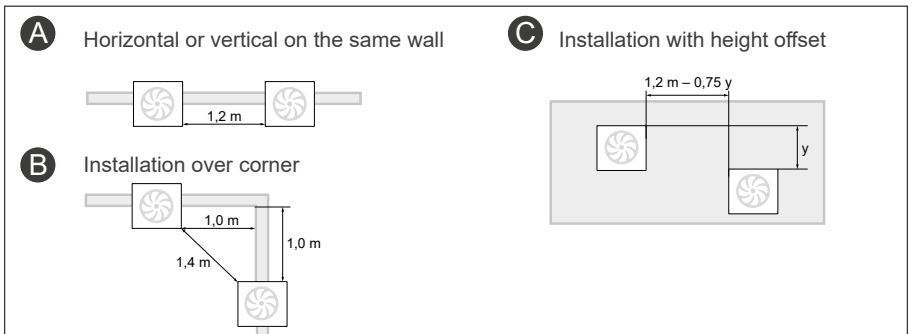


NOTICE: Malfunction due to incorrect positioning of the ventilation unit.

- Note insulation thickness and possibly shutters!
- Do not install near radiators!
- Observe minimum distance of 1.2 m to adjacent air openings!

Component termination	Distance from centre of hole on the		
	Exterior wall [mm]	Interior wall [mm]	frontal [mm]
Flex weather protection hood	450 (top) 250 (side, bottom)	–	–
Corner external termination	250 ... 385 to the reveal 250 (top, bottom, side)		
Nordic external termination	250 circumferential		
Flair inner cover	–	250 circumferential	300

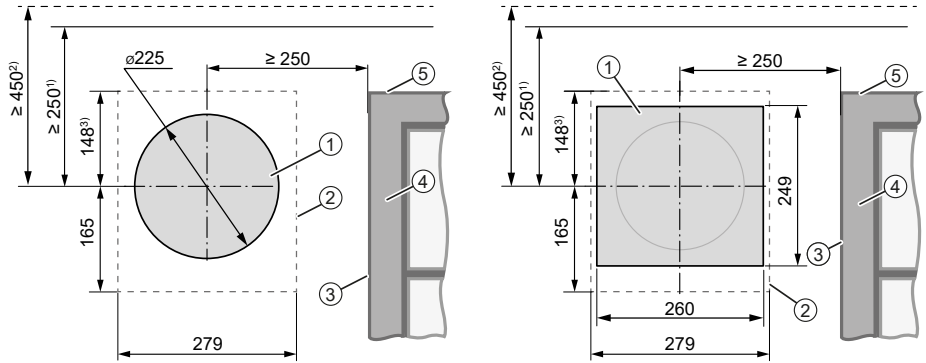
- between two ventilation units (pair of devices) operating in push-pull mode in a room



3.2 Position of the wall opening

For the positioning of the wall sleeve of other variants of your ventilation unit ,see the installation instructions for yourspecific external termination.

Standard ventilation unit variant:



Position of wall opening

Position of Simplex wall installation system

Figure 2: Dimensioned drawing of the iV14-MaxAir wall opening (interior view)

- 1 Wall opening (Fig. 2, left)
- 2 Contour of weather protection hood³⁾
- 3 Reveal
- 4 Door/window frame
- 5 Bottom edge of lintel⁴⁾

¹⁾ Minimum distance to adjoining components on the interior wall:

²⁾ Minimum distance to adjoining building components on the exterior wall

³⁾ Recommendation: Attach the hood at lintel height

⁴⁾ Note insulation thickness and any roller shutters

3.3 Dimensions

Designation	Depth/length [mm]	Width [mm]	Height [mm]
Wall opening for wall sleeve	Wall thickness ¹⁾	Ø225	
R-D200 wall sleeve	495 (745)	Ø200	
Flex weather protection hood	23 – 88	279	313
Flair V-233x233 inner cover	61 ²⁾	233	233

¹⁾ with render, insulation, masonry and plaster

²⁾ Open

3.4 Sectional drawing of the ventilation unit

For sectional drawings of other variants of your ventilation unit, see the installation instructions for your specific external termination.

Sectional drawing of the iV14-MaxAir ventilation unit, standard variant

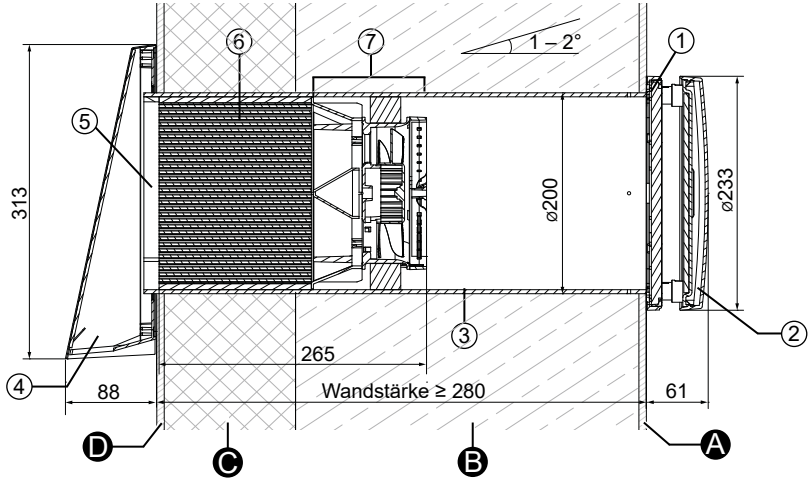


Figure 3: Sectional drawing of the iV14-MaxAir ventilation unit with Flex weather protection hood

A Interior plaster/ interior structure
 B Masonry

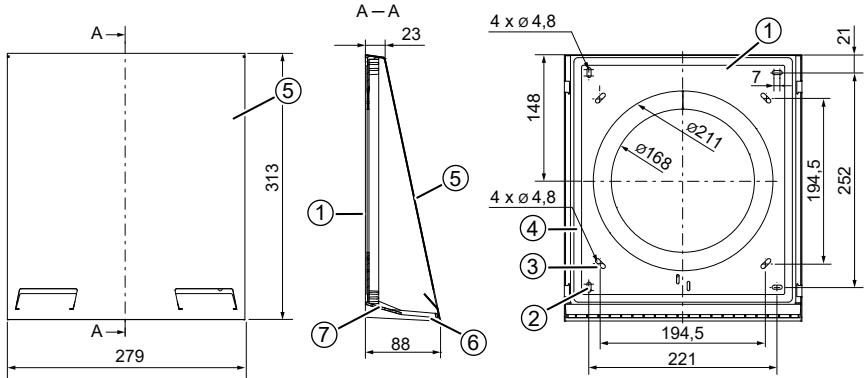
C Insulation
 D Render

1 Inner cover base plate
 2 Inner cover panel
 3 R-D200 wall sleeve
 4 Flex weather protection hood
 5 End-stop tape

6 Thermal accumulator
 7 inVENTron R-D200:
 Xenion EFP reversible fan embedded in
 double guiding vane

3.5 Dimensional drawings of components

Flex weather protection hood



Weather protection hood cover

Weather protection hood base plate

Figure 4: Dimensional drawing of Flex weather protection hood

- | | |
|--------------------------------------|---------------------------------|
| 1 Weather protection hood base plate | 5 Weather protection hood cover |
| 2 Fixing hole exterior wall (4x) | 6 Protective grid |
| 3 Simplex fixing hole (4x) | 7 Drip rail |
| 4 Sealing tape guide | |

Flair inner cover

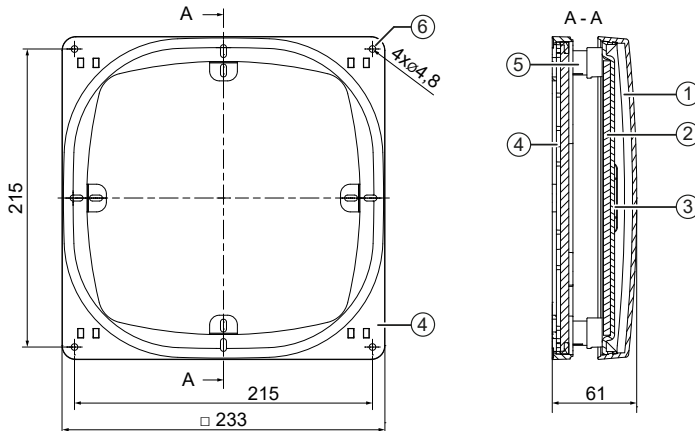


Figure 5: Dimensional drawing of the Flair V-233x233 inner cover white SDE

- | | |
|--|-----------------------------------|
| 1 Inner cover panel | 4 Inner cover base plate |
| 2 Sound insulation insert SDE (optional) | 5 Spacer (4 x) |
| 3 Retaining plate IB V-233x233 | 6 Interior wall fixing hole (4 x) |

4 Installation and assembly



Read the section carefully before installation to avoid installation errors. The installation and connection of the ventilation system must be carried out by qualified personnel.

4.1 Check the scope of supply

Check the delivery for completeness and transport damage upon receipt using the delivery note. Report missing items immediately.

These assembly instructions describe the standard version of the product. Details of the variants' scope of supply can be found in the separately available installation instructions for the system component in question.

The Flex weather protection hood is available in different colours and materials (stainless steel / aluminium [with increased salt resistance]) and must be ordered according to the desired colour and properties.

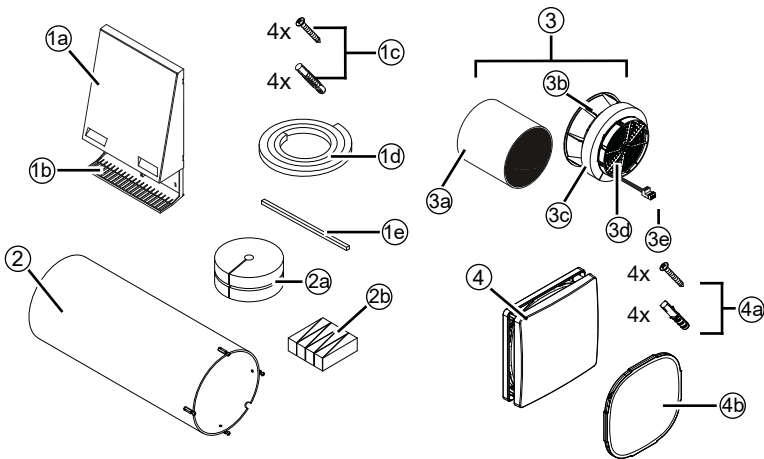


Figure 6: Standard components of the iV14-MaxAir ventilation unit

1 External termination

- 1 a: Flex WSH cover
- 1 b: Flex WSH base plate
- 1 c: Exterior wall fixing elements
- 1 d: Sealing tape
- 1 e: End-stop tape

2 Wall sleeve R-D200

- 2 a: Styrofoam discs
- 2 b: Mounting wedge set

3 iV14-MaxAir thermal accumulator insert

- 3 a: Insulated thermal accumulator
- 3 b: R-D200 guiding vane
- 3 c: Xenion EFP reversible fan sheathed
- 3 d: Slim guiding vane (16 mm)
- 3 e: BUS plug connection

4 Flair inner cover

- 4 a: Interior wall fixing material
- 4 b: ISO Coarse 60 % dust filter

WSH = Weather protection hood

4.2 Create wall opening



CAUTION

Falling masonry when creating the wall opening

can lead to physical injuries and /or damage to property!

- Install protection against falling masonry on building exterior.
- Remove objects from the immediate vicinity of the building's exterior.

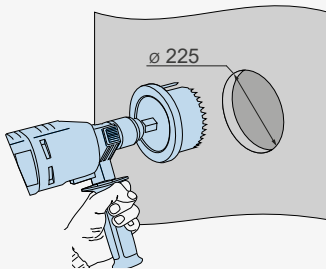
In new buildings we recommend the use of the optional Simplex D200 wall installation system, D225 wall block, or Woodplex for timber post and beam construction.

Observe the minimum distances and the installation position of the ventilation unit.
Consult your planner before installation if you are at all uncertain!

Create the wall opening through core drilling



Power drill with core drilling attachment or milling drill \varnothing 225 mm



Requirements:

- The masonry is dry and load-bearing.
- No load-bearing elements in the position of the drill hole.

- ▶ Create a wall opening, \varnothing 225 mm, at the installation location of the ventilation unit.



! The wall sleeve for the ventilation unit is installed with a 1 - 2° gradient to the outside. Alternatively, the hole can be drilled with a gradient.

- ⇒ The wall opening for the ventilation unit has been created.

4.3 Laying the cables to the wall opening of the ventilation unit



CAUTION

Exposed electrical components.

Injury caused by live components (16 V DC)!

- Before working on electrical installations, disconnect all affected equipment from the power supply.
- Do not lay and/or connect live cables.
- Lay the power cable and fan cable separately.

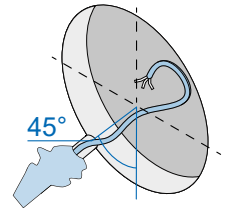
Installation and connection must only be performed by qualified and trained personnel.

Once the wall opening has been created, the cables necessary for operating the ventilation system are laid to the wall opening for the ventilation unit. They connect the valve gate of the ventilation unit with the control components and thus establish signal transmission and/or voltage transmission between the controller and the Xenion EFP reversible fan.



NOTICE: Cable to the wall opening of the ventilation unit not laid. No connection of the reversible fan possible!

Routing of the cables to the wall opening for the ventilation unit must be done in this installation step. The routing of the connecting cables between the sMove/ MZ-Home controllers and the Xenion EFP reversible fan is not part of this documentation. For more information, see the installation and operating instructions for the corresponding controller.



Cable to the wall opening of the ventilation unit

The following cables, depending on the control unit, are laid to the wall opening for the ventilation unit:

	Use	Cable type	Cable origin
sMove	Operating voltage fan and device communication	Stranded cable 6 – 16 V DC, e.g.: LiYY 3x0.75 mm ²	sMove operating unit
MZ-Home			Clust-Air module CAM17 in the ventilation zone

Principle sketches for cable laying

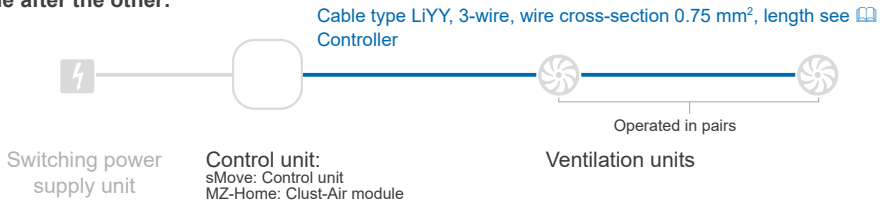
The corresponding connection diagrams and assembly steps for installing the controller are not part of this documentation! They can be found in the installation and operating instructions for the respective control unit.

sMove and MZ-Home controllers

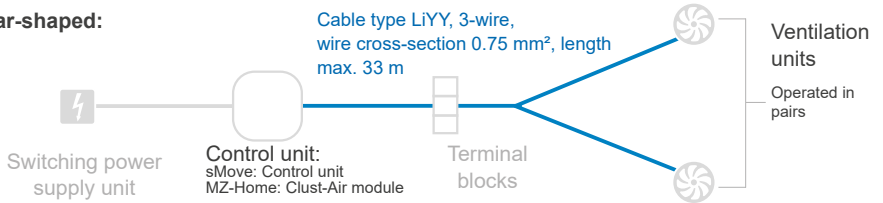


6 – 16 V DC
~~230 V AC~~

One after the other:



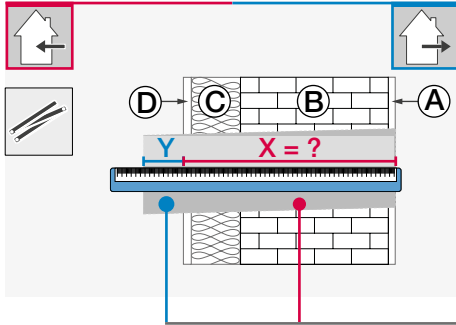
Star-shaped:



4.4 Installing the wall sleeve



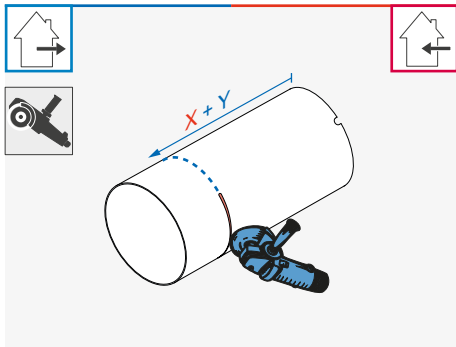
Measuring tape, angle grinder, spirit level, non-pressing 2K polyurethane foam, cutter, mounting wedge set and styrofoam discs



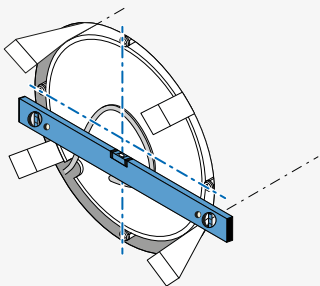
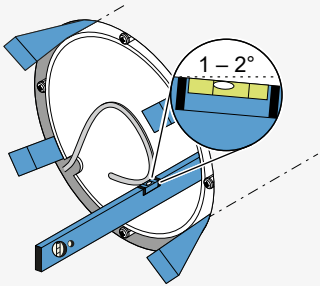
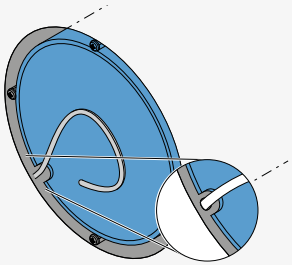
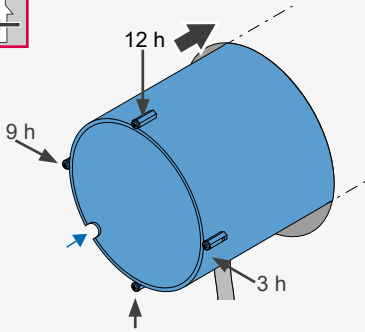
Requirements:

- The wall opening \varnothing 225 mm is finished.
- The fan BUS is installed.
- ▶ Determine the exact wall thickness X:
 - D = Exterior Render, incl. other superstructures if applicable.
 - C = Insulation, incl. air gap if applicable
 - B = Masonry, incl. relining if necessary
 - A = Interior plaster
 - Y = Protrusion of the wall sleeve in the outer area (depending on the installation situation exterior rendering or masonry)

		X in [mm] =	Y in [mm] =
Inner cover		Flair	
External termination			
Standard		A + B + C + D	10
Corner		A + B	10
		A + B	UBP + 10 (for installation with UBP sub-structure panel)
Nordic	double-shell masonry (clinker brick)	A + B	C + D - 200 (min. 30 mm)
	single-shell masonry (ETICS)	A + B	C + D - 95 (min. 30 mm)



- ▶ Cut the wall sleeve to the **determined dimension X + a protrusion of Y** on the exterior wall.
- 👁️ **Be careful not to cut away the cut-out for the fan connecting cable and the fixing elements.**
- ▶ Deburr the edges.



- ▶ Remove the styrofoam discs from the wall sleeve.
- ▶ Insert the wall sleeve into the wall opening so it is flush with the interior wall.
Note the thickness of the plaster.
- 👁️! The recess for the connecting cables is located on the interior wall side and near the cables laid to the wall opening.

- ▶ Guide all connecting cables through the cut-out in the wall sleeve.



NOTICE: Accumulation of condensation water in the wall sleeve.

Damage to exterior wall and masonry and the building structure!

- Attach the wall sleeve with a slope of 1° to 2° to the exterior wall.

- ▶ Attach the wall sleeve inside and outside with the mounting wedges so that there is a slope of 1 – 2° to the exterior wall.

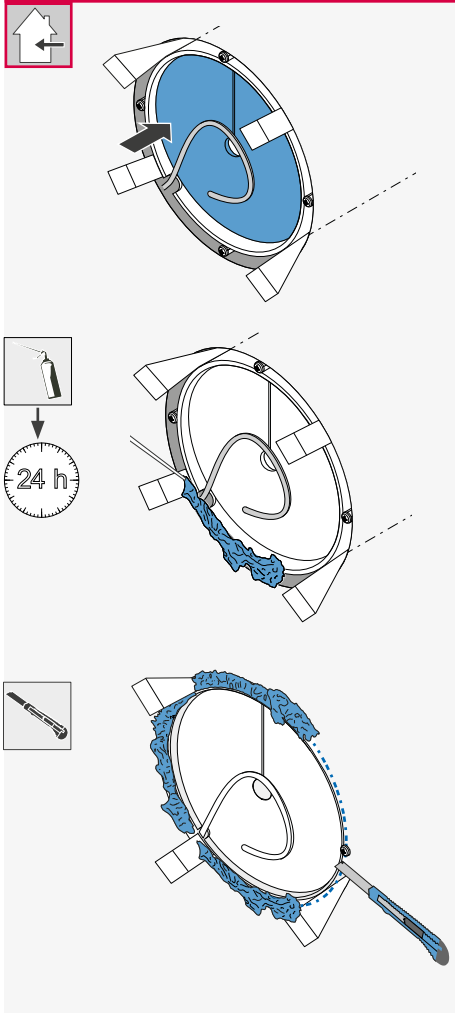
- ▶ Check the angle of the wall sleeve using a spirit level.



NOTICE: Soiling of the wall sleeve and the fixing elements, e.g. through plaster residue, leads to damage to the components in the wall sleeve and fixing elements.

- Before foaming the free space between the wall sleeve and masonry, insert styrofoam discs.
- Do not remove the thread locks of the fixing elements until the inner cover is attached.

- ▶ Align the two lateral fastening elements of the wall sleeve horizontally.



- ▶ Insert the styrofoam discs into the wall sleeve from the inside and outside.



NOTICE: Interruption of the thermal insulation composite system.

Damage to the building structure!

- During installation, replace the wall structure as far as the wall sleeve.
- Observe the necessary barrier levels.

- ▶ Foam-seal the gap between the wall sleeve and masonry all the way around with non-pressing 2K polyurethane foam.

- ▶ Cut off the 2C mounting foam and protruding mounting wedges flush with the outer and inner wall.



Do not damage the connection cables on the inner wall.

⇒ The wall sleeve is installed.

4.5 Installing the ventilation unit's external termination

The installation of the external termination variants is not part of this documentation! It can be found in the installation instructions for the respective external termination.



NOTICE

Installation on unfinished exterior walls leads to damage to the exterior wall!

- Only install the external termination once the exterior wall is finished and has fully dried.



NOTICE

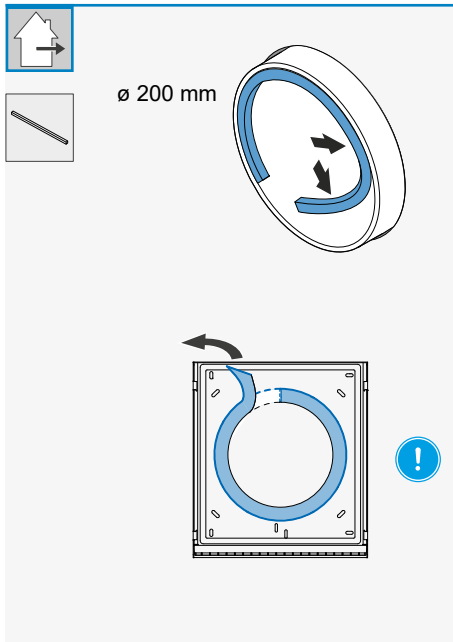
Penetration of condensation water and/or algae accumulation around the external termination leads to damage to the masonry/external wall and/or discolouration of the façade!

- Secure sealing tape all the way around the weather protection hood before installing the external termination.
- Before installation, carry out a biocidal pre-treatment/water-repellent pre-treatment of the surface around the weather protection hood (consult your planner regarding this!).

Installing the Flex weather protection hood



Spirit level, pen, power drill with Ø 8mm drill bit, cordless screwdriver, rawl plugs (wall-plugs for insulation for insulated exterior walls), permanently elastic external sealant, sealing tape, screws

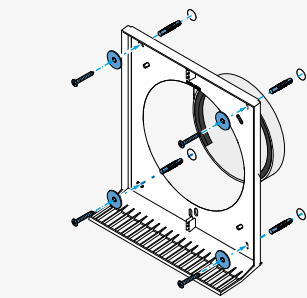
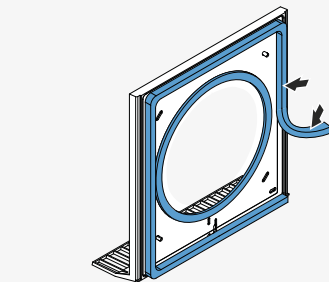
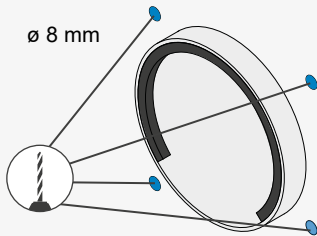
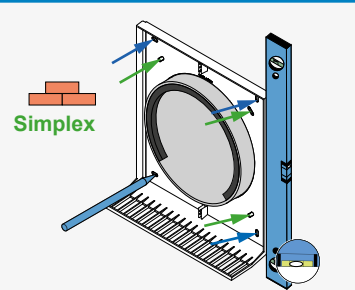


Requirements:

- The exterior wall is completed and even.
 - The wall sleeve is installed.
- ▶ Remove the styrofoam disc from the wall sleeve on the exterior wall side.
 - ▶ Attach the end-stop tape, 380 x 15 mm, on the exterior wall side in the upper area of the wall sleeve.
 - 👁️! The cut-out in the circumferential end-stop tape is placed in the lower area of the wall sleeve.
 - ▶ Break the pre-punched ring out of the base plate.



Simplex



▶ Slide the base plate onto the projecting wall sleeve.
 👁️! The protective grid is directed towards the floor.

▶ Level the base plate using a spirit level.

▶ Mark the four boreholes:
 Outer boreholes (blue arrow): Masonry.
 Inner boreholes (green arrow): Simplex.

▶ Drill the four holes with Ø 8 mm, min. 50 mm deep.



TIP: Do not apply the sealing tape until immediately before installing the base plate. This prevents the sealing tape from swelling too much and makes installation easier.

▶ From the exterior wall side, attach the 9-mm sealing tape circumferentially flush with the base plate:

- flush with the opening for the wall sleeve
- along the guide on the outer edge.



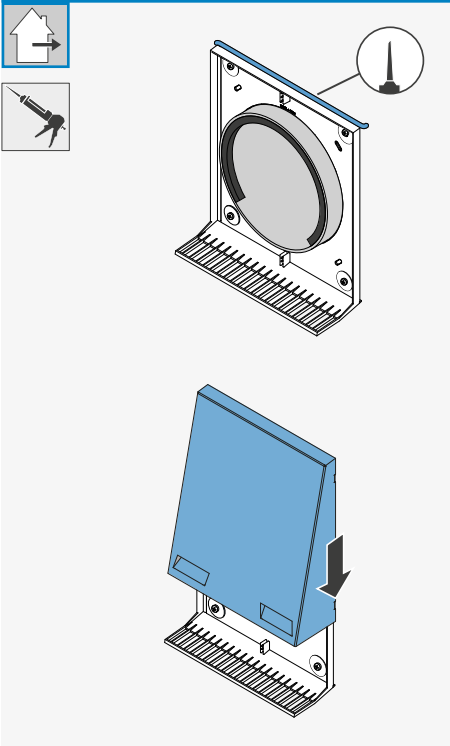
• Do not seal the fixing holes!
 • The sealing tape must not protrude at the inner edge of the wall sleeve opening.

▶ Insert the rawl plugs into the boreholes.

▶ Screw the base plate into the rawl plugs using 4 screws and washers.



TIP: When attaching the base plate to exterior walls with insulation or when using the wall installation block/Simplex wall installation system, use wallplugs for insulation for fixing purposes. These are not included in the scope of supply, they are available as an option.



NOTICE: If the joint between the base plate and the exterior wall is incorrectly sealed, the cover cannot be fitted.

- Seal only the upper joint between the base plate and the exterior wall.

- ▶ Seal the upper joint between the base plate and the exterior wall with a permanently elastic exterior sealant.
- ▶ Place the cover onto the base plate from the top.
- ▶ Slide the cover downwards as far as the stop.
 - 👁️ ! The guides on the cover hook in behind the base plate.

⇒ The Flex weather protection hood is installed.

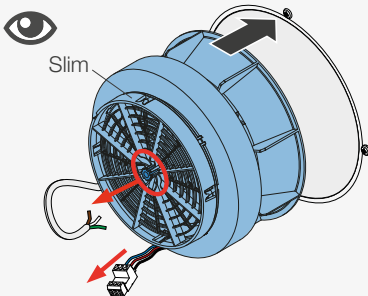
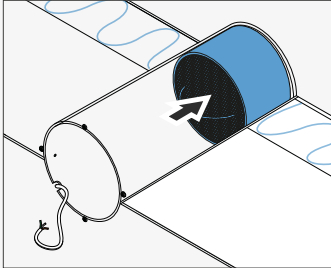
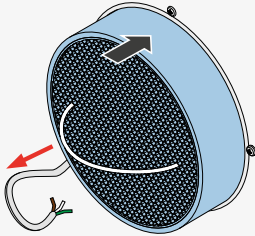
4.6 Inserting the thermal accumulator insert



NOTICE

Do not store/stack the thermal accumulator insert outside the wall sleeve as doing so will damage the thermal accumulator's ceramic.

- Insert the thermal accumulator immediately after removing it from the packaging.



Requirements:

- The external termination is fitted.

- ▶ Remove the styrofoam disc from the wall sleeve.
- ▶ Insert the thermal accumulator from the interior into the wall sleeve.



- The handle points towards the interior.
- The connecting cables protrude into the interior.

- ▶ From the interior, slide the thermal accumulator towards the external termination as far as the end-stop tape.

- ▶ Insert the inVENTron from the interior into the wall sleeve so that you can reach the BUS plug connection.



- **The narrow Slim guiding vane [16 mm] is aligned towards the interior.**

⇒ The thermal accumulator insert has been inserted.

4.7 Electrical connection of the reversible fan

The function of the iV14-MaxAir ventilation system requires the simultaneous operation of two iV14-MaxAir ventilation units in push-pull mode. This section therefore describes the connection of a pair of units, not a single unit.



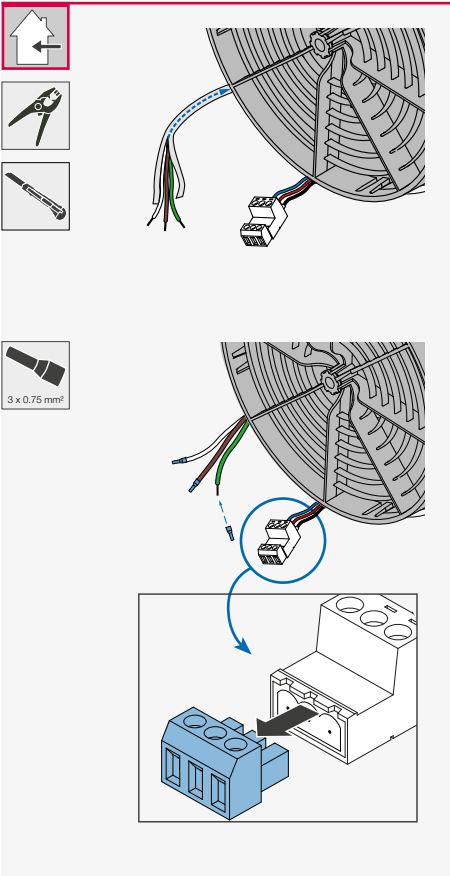
NOTICE

Incorrect electrical connection will damage the fan motor!

- Always connect the ventilation unit to the mains supply via a controller.
- Ensure the correct sequence of the wire colours so that the fans start.



Stripping tool, screwdriver, blade, wire end ferrules (3 x 0.75 mm²)



Requirements:

- The reversible fan is inserted into the wall sleeve.

▶ Shorten the fan BUS, 3-wire, to your determined wall thickness minus 200 mm.

▶ Remove the cable sheath from the fan BUS.



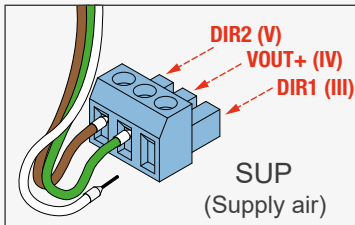
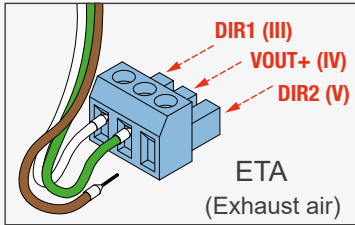
NOTICE: Using the wrong wire end ferrules to connect the cables in the plug-in connector will lead to a short circuit in the fan BUS!

- Use wire ferrules with collars to connect the wire strands.

▶ Press wire end ferrules onto the cables, cable cross-section 0.75 mm².

▶ Loosen the plug connections on the reversible fans of the two ventilation units.

▶ Align the plug connectors on the ventilation units so that the clamping screws on both are facing in the same direction (e.g. upwards).



In paired operation, one reversible fan starts in extract air mode, the other in supply air mode. This start direction is determined by the different connection sequence of the three fan BUS cables in the plug-in connector.

- Secure the three fan BUS cables in the plug-in connector:

Exhaust air mode:

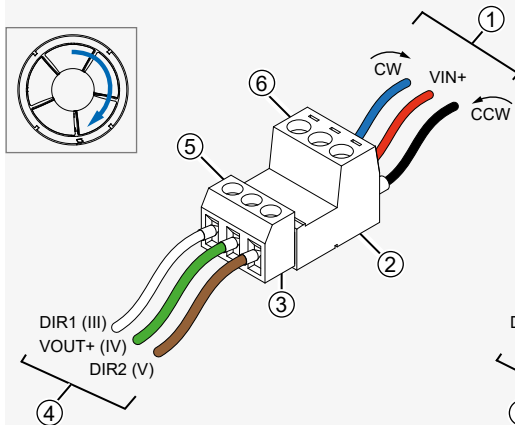
- (White) cable III (-) in the left pole.
- (Green) cable IV (+) in the middle pole.
- (Brown) cable V (-) in the right pole.

Supply air mode:

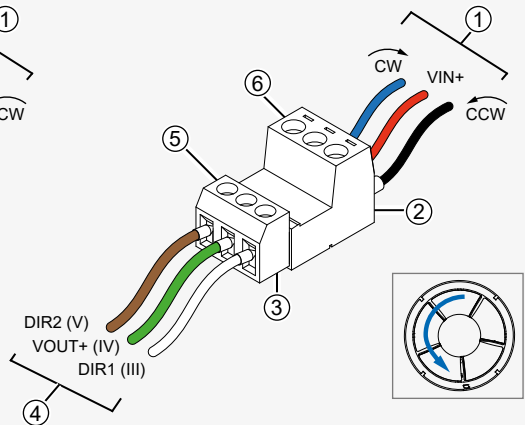
- (Brown) cable V (-) in the left pole.
- (Green) cable IV (+) in the middle pole.
- (White) cable III (-) in the right pole.

- Reconnect the connected plug-in connector to the plug-in connector on the reversible fan.

Ventilation unit with start direction extract air mode



Ventilation unit with start direction supply air mode



- The clamping screws of the plug connection are orientated to the same side.
- The white and brown cable connections are swapped.

- | | |
|--------------------------------------|---|
| 1 Fan cable [to fan] | 4 Fan BUS [to controller] |
| 2 Plug connector on fan cable | 5 Clamping screws on the controller connector |
| 3 Plug connector on controller cable | 6 Klemmschrauben am Steckverbinder Ventilator |

Plug-in connector on the fan cable		Plug-in connector (cable coming from controller)					
		Start direction extract air			Start direction supply air		
Terminal block	Colour	Terminal block	Meaning	Colour	Terminal block	Meaning	Colour
CW (-)	Blue	III (-)	GND (-)	White	V (-)	GND (-)	Brown
+	Red	IV (+)	Operating voltage	Green	IV (+)	Operating voltage	Green
CCW (-)	Black	V (-)	GND (-)	Brown	III (-)	GND (-)	White

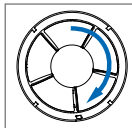
⇒ The reversible fan is connected to the controller.

- ▶ Set heat recovery operating mode (WRG) on the connected controller. (see the controller's installation and operating instructions)
- ▶ Push the connected and checked fan as far as the thermal accumulator.

4.8 Check function and complete fan installation

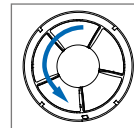
- ▶ Set the unidirectional ventilation operating mode (DL) on the connected controller. (see the controller's installation and operating instructions)
- ▶ Make sure that all reversible fans rotate in the direction appropriate to their connections.

Start direction extract air mode:



Fan rotation: clockwise

Start direction supply air mode:



Fan rotation: counter-clockwise

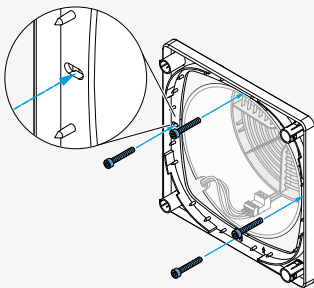
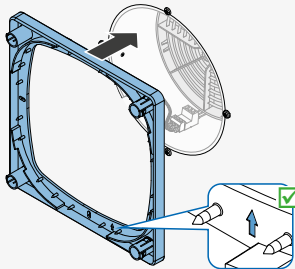
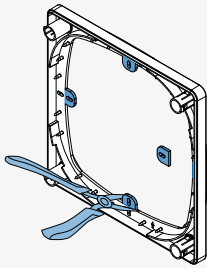
⇒ inVENTron is connected and installed.

4.9 Installing the inner cover

The assembly of any interior termination variants is not part of this documentation!
It can be found in the separate installation instructions for the respective component.



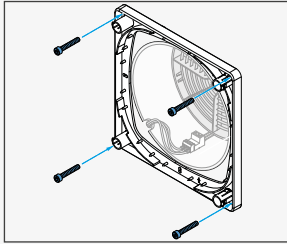
Cordless screwdriver, pliers



Requirements:

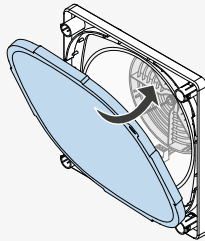
- The thermal accumulator insert has been installed.

- ▶ Break out the four tabs on the inner cover base plate with pliers at the predetermined breaking points.
- ▶ Remove the thread locks from the fixing elements of the wall sleeve.
- ▶ Place the inner cover base plate on the interior wall so that it covers the fixing elements of the wall sleeve.
 - 👁️ ! The position arrow on the base plate points upwards.
- ▶ Screw the inner cover base plate to the wall sleeve's fixing elements using a hex key.



TIP: Optionally, the inner cover can be screwed into the four corners of the base plate.

Ensure you install the dust filter properly to avoid a malfunction of the ventilation unit.



► Insert the dust filter into the base plate.



- Push the filter ring firmly between the fixing tabs and the inner edge of the base plate.



- The tab on the filter ring faces the inside and is located in the cut-out provided in the base plate.

► Place the panel on the four spacers.



- The position arrows on the back of the inner cover panel point upwards.

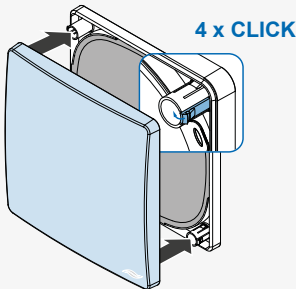
Check: The inVENTer logo is located at the bottom right.

► Press the locking lugs inwards on the spacers.

► Slide the inner cover panel onto the spacers.



⇒ All spacers noticeably snap in.

⇒ The inner cover panel is fitted.



5 Technical data

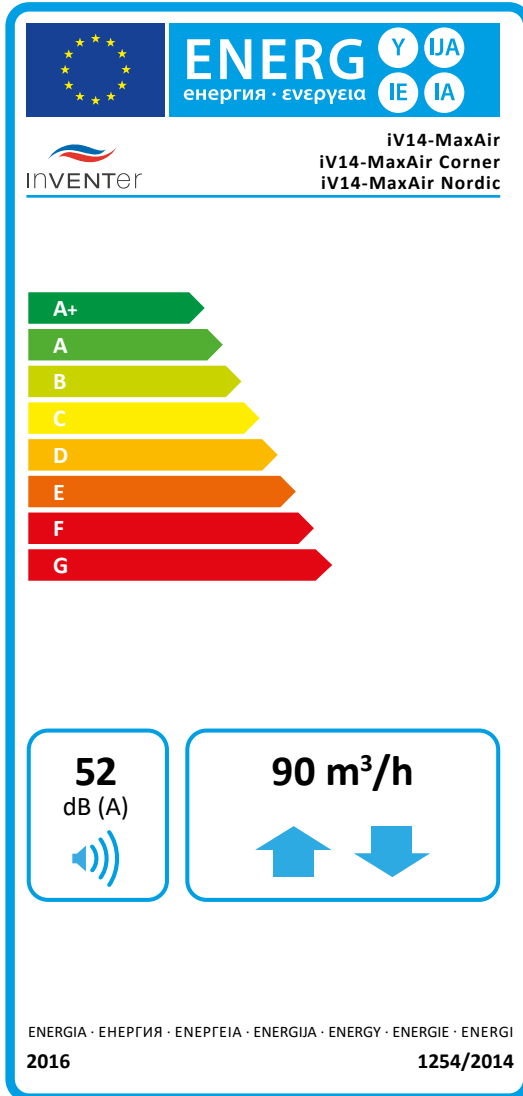
5.1 General specifications

Feature	Value
Operating range [°C]	-20 – 50
Minimum wall thickness [mm]	260
Extract air/outdoor air	Free from aggressive gases, dust and oils
Flow rate in reversed mode [m³/h]	10 – 45
Extract airflow [m³/h] (EN 13141-8)	20 – 90
Sound pressure level, distance 2 m [dB (A)]	20 – 45
Standard sound level difference [dB]	Standard: 38 – 45
Thermal efficiency of heat recovery (η_w)	0.88
Input voltage [V DC]	6 – 16
Power consumption [W]	1 – 5
Specific fan power input [W/(m³/h)]	0.14
Protection class (EN 61140)	III
Type of protection (EN 60529)	IP20
Standard filter filter class ISO 16890 EN 779:2012	ISO Coarse 60 % G4
Sensitivity of the air flow at ± 20 Pa (EN 13141-8)	S2
Electrical protection area (in accordance with VDE 0100)	Outside protection areas 0 – 2
Frost protection	Automatic by reversing operation (down to -20 °C)
Conformity	 

5.2 iV14-MaxAir energy label according to ErP Directive, Regulation 1254/2014

On the energy label you will find the following information from the product data sheet:


- Energy efficiency class (SEC class)
- Sound power level L_{wa}
- Maximum air flow (supply air)




Demand-controlled	Manually controlled
MZ-Home sMove with sensors Easy Connect e16	sMove without sensor technology

1.1 Specifications according to ErP Directive, Regulation 1254/2014

iV14-MaxAir ventilation unit, demand-controlled:

 iV14-MaxAir product data sheet according to EU Ordinance 1254/2014 dated 11 July 2014			
Pt	Description	Values	
a	Supplier	inVENTer GmbH	
b	Model identifier	iV14-MaxAir iV14-MaxAir Corner iV14-MaxAir Nordic	
c	SEC class / Specific Energy Consumption (SEC) [kWh/(m ² a)]	Cold	-88.481
		Average	A+ -44.234
		Warm	-18.886
d	Ventilation type	BVU	
e	Type of drive	2	
f	Type of heat recovery system	Regenerative	
g	Degree of temperature change η_t [%]	88	
h	Maximum air flow rate [m ³ /h]	90	
i	Electrical input power (incl. control) [W]	9	
j	Sound power level L _{wa} [dB (A)]	52	
k	Reference air flow [m ³ /h]	63	
l	Reference pressure difference [Pa]	0	
m	SEL [W/m ³ /h]	0.14	
n	Control factor	0.65	
o	Internal and external transfer [%]	n. a.	
p	Mixing quota [%]	n. a.	
q	Position and description of the indicator for filter change	Control unit	
r	Instructions regarding controllable supply and extract air grilles on the façade (unidirectional ventilation units only)	None	
s	Internet address	www.inventer.de	
t	Sensitivity to pressure changes [%]	17.8	
u	Airtightness between interior and exterior [m ³ /h]	6.3	
v	Annual power consumption [kWh/(m ² a)]	0.82	
w	Annual savings Heating energy [kWh/(m ² a)]	Cold	90.61
		Average	46.32
		Warm	20.94

iV14-MaxAir ventilation unit, manually controlled:

 iV14-MaxAir product data sheet according to EU Ordinance 1254/2014 dated 11 July 2014			
Pt	Description	Values	
a	Supplier	inVENTer GmbH	
b	Model identifier	iV14-MaxAir iV14-MaxAir Corner iV14-MaxAir Nordic	
c	SEC class / Specific Energy Consumption (SEC) [kWh/(m ² a)]	Cold	-82.817
		Average	A -39.977
		Warm	-15.435
d	Ventilation type	BVU	
e	Type of drive	2	
f	Type of heat recovery system	Regenerative	
g	Degree of temperature change η_t [%]	88	
h	Maximum air flow rate [m ³ /h]	90	
i	Electrical input power (incl. control) [W]	9	
j	Sound power level L _{wa} [dB (A)]	52	
k	Reference air flow [m ³ /h]	63	
l	Reference pressure difference [Pa]	0	
m	SEL [W/m ³ /h]	0.14	
n	Control factor	1	
o	Internal and external transfer [%]	n. a.	
p	Mixing quota [%]	n. a.	
q	Position and description of the indicator for filter change	Control unit	
r	Instructions regarding controllable supply and extract air grilles on the façade (unidirectional ventilation units only)	None	
s	Internet address	www.inventer.de	
t	Sensitivity to pressure changes [%]	17.8	
u	Airtightness between interior and exterior [m ³ /h]	6.3	
v	Annual power consumption [kWh/(m ² a)]	1.93	
w	Annual savings Heating energy [kWh/(m ² a)]	Cold	87.78
		Average	44.87
		Warm	20.29

6 Scope of supply

Standard components

All standard components are also available as spare parts. Further accessories and spare parts can be found in the separate accessories overview.

Contact your local distributor to order accessories for your ventilation system.

Component	Item number
iV14-MaxAir	1001-0214
Standard variant external termination ²⁾ : Weather protection hood including sealing tapes	
Flex weather protection hood, white – RAL 9016	1508-0157 1508-0171 ¹⁾
Flex weather protection hood, grey – RAL 9006	1508-0158 1508-0172 ¹⁾
Flex weather protection hood, Nord – RAL 7011	1508-0159
Flex weather protection hood, anthracite – RAL 7016	1508-0160 1508-0173 ¹⁾
Flex weather protection hood, custom colour	1508-0161 1508-0174 ¹⁾
Wall sleeve with styrofoam discs and mounting wedges	
Wall sleeve R-D200x495	1506-0070
Wall sleeve R-D200x745	1506-0071
Thermal accumulator insert	
iV14-MaxAir thermal accumulator insert	1507-0030
Inner cover	
Flair V-233x233 inner cover, white	1505-0036
Flair V-233x233 inner cover, white, incl. SDE	1505-0037

¹⁾ Special variant: consisting of aluminium, with increased salt resistance

²⁾ Article numbers of any external termination variants in the separate installation instructions of the respective external termination.

7 Troubleshooting

Troubleshooting

Fault	Possible cause	Remedy
Fan failure	No electrical power.	Check fuse.
	Installation error.	Check wiring for correct polarity. Check all connectors for correct fit. Check the use of wire ferrules.
	Fan defective.	Replace fan.
	Controller/power supply defective.	Switching controller/power supply.
Fan does not switch off.	Faulty controller.	Replace controller.
Low flow rate	Panel closed.	Open panel.
	Fans are not operating in paired mode.	Connect the first fan in extract air mode and the second fan in supply air mode.
	The rotational speed of the fan is too low.	Increase the output level.
Noises	Foreign body in the fan.	Remove foreign body from the fan. Clean the ventilation system.
	Thermal accumulator is not correctly positioned in the wall sleeve.	Slide the thermal accumulator out of the wall sleeve. Insert it again. Slide the thermal accumulator into the wall sleeve as far as the end-stop tape.
	The rotational speed of the fan is very high.	Set a lower output level on the controller.
Supply air is cold	Installation error.	Make sure that the device label on the Xenion EFP fan is directed towards the thermal accumulator.
		Check the connector plug on the controller. The connector plug must be sitting firmly in the connector housing.
	The controller is operating in unidirectional ventilation mode.	Select heat recovery mode on the controller.

8 Guarantee and warranty

Guarantee

Outside Germany, the national guarantee provisions of the country in which the system is sold apply. Please contact the distributor for your country.

The guarantee covers all defects that were present at the time of purchase. Failure to observe the intended use will invalidate all guarantee claims.

Manufacturer warranty

inVENTer GmbH provides a five-year warranty for all electrical components and the wall sleeve, as well as a thirty-year warranty for the ceramic component of the thermal accumulator. This covers premature product wear.

Further information about the warranty is available at www.inventer.de/garantie

9 Service

Claims

Check the delivery for completeness and transport damage upon receipt using the delivery note. Report missing items immediately, and at the latest within 14 days to your supplier, distributor or factory representative.

Warranty and guarantee claims

In the case of a warranty or guarantee claim, contact your local distributor or factory representative.

In all cases, please return the complete device to the manufacturer.

The warranty is an additional offering by the manufacturer and in no way affects the applicable law.

Accessories and spare parts

To order components for your ventilation unit, contact your nearest distributor or our service staff.

Technical customer service

For technical support contact our service staff:



+49 (0) 36427 211-0



+49 (0) 36427 211-113



info@inventer.de

www.inventer.eu

inVENTer GmbH
Ortsstraße 4a
D-07751 Löberschütz
Germany
www.inventer.eu

Subject to modifications.
We accept no liability for printing errors.

Item number: 5001-0044
Version: 2.1 – 03/2024

