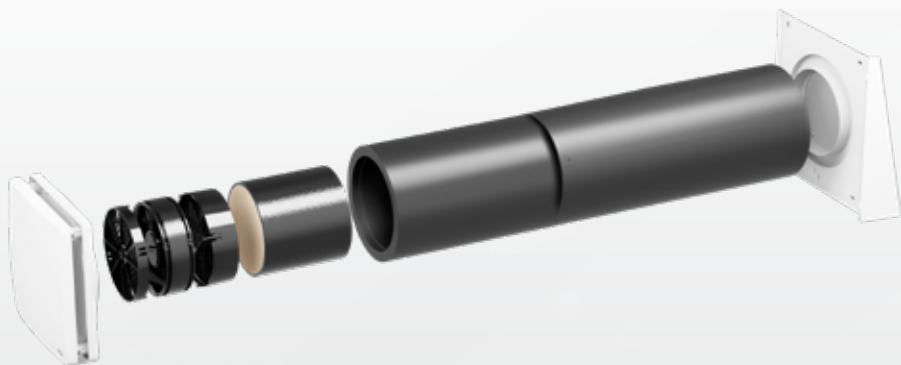




inVENTer

Dismantling instructions iV Product Series



Product example: iV14-Zero

Decentralised ventilation devices with heat recovery



Trademarks, copyrights and property rights

inVENTer®, Xenion®, inVENTron® and Inventin are registered trademarks of inVENTer GmbH.

The copyright to this document remains with the manufacturer.
Rights to all content and images: © inVENTer GmbH 2022.

All trademarks used in this document are the property of their respective manufacturers and are hereby acknowledged.

Disclaimer

This documentation represents the original dismantling instructions. Once installation is complete, information regarding access to the dismantling instructions must be passed on to the user (tenant, owner, property management company, etc.).

The content of this documentation has been checked for compliance with the described components. Nevertheless deviations may still occur, therefore no guarantee of compliance can be provided.

This documentation describes the functionality of the standard scope.
The documentation does not purport to cover all details on all types of the product and cannot cover every conceivable scenario for dismantling.

The illustrations in this documentation may differ slightly from the design of the product that you have installed. The same functions and the individual steps of the dismantling process will remain the same, despite any difference in their details.

This documentation is updated regularly. Necessary corrections and appropriate supplements are always included in subsequent editions. You can also find the latest version at www.inventer.eu/downloads.

Company information

Publisher:

inVENTer GmbH	Phone: +49 (0) 36427 211-0
Ortsstraße 4a	Fax: +49 (0) 36427 211-113
07751 Löberschütz	E-mail: info@inventer.de
Germany	Web: www.inventer.de

CEO: Annett Wettig
VAT ID number: DE 815494982
Jena District Court HRB 510380

Table of contents

1	User and safety instructions	3
1.1	User information.....	3
1.2	Safety instructions.....	4
2	Dismantling system components	4
2.1	Remove the exterior closure	5
2.2	Remove the inner cover.....	8
2.3	Remove the insert.....	9

1 User and safety instructions

This document provides you with a summary of the key safety precautions that need to be taken when dismantling the product at the end of its service life.

1.1 User information

Safety and warning instructions

The safety and warning instructions in this documentation have a uniform structure and are marked with a symbol on the left side of the instruction.
A signal word in front of the text also indicates the hazard level. If several hazard levels exist, the highest level safety instruction is always used.

The safety and warning instructions contain the following information:



SIGNAL WORD: Type and origin of the danger. Possible consequences of the danger!

- Measures to avoid the danger.

The signal word indicates the severity of the potential danger unless the preventive measures are taken:



DANGER means: There is an immediate threat of serious physical harm, even death.



CAUTION means: Direct danger of minor/significant injury.

If you see these signs, ensure you observe the described measures to prevent possible hazards and/or damage.

Other symbols used in this documentation

In addition to the safety instructions, the following symbols are used:

- ▶ **Action required:** Prompts the user to perform a specific action.
- ⇒ **Check the results:** Prompts the user to check the results of the action performed.

1.2 Safety instructions

The dismantling instructions are part of your ventilation device from the following product series:

- iV-Smart+, • iV-Compact, • iV-Twin+, • iV-Office.
- iV-Light, • iV14-Zero, • iV14-Max Air,

These must always be available (see www.inventer.de/downloads). When handing the system to a third party, the information regarding access to the dismantling instructions must be handed over as well.

Before performing any work on the device/system, read the dismantling instructions carefully and observe all notices that refer to the dismantling process in this section.

Also note the safety instructions that precede the described handling instructions.

Non-observance of safety instructions could result in injury and/or property damage.



- **DANGER:** The system's electrical and electronic components may only be disconnected by qualified electricians.
- **CAUTION:** The system may only be dismantled by qualified personnel.

2 Dismantling system components

The decentralised inVENTer ventilation devices with heat recovery can be recycled thanks to their low-pollution manufacturing process. They contain valuable materials that can be recovered.

The separation of waste materials into different varieties facilitates recovery of the recyclable materials. Contact a disposal company to arrange environmentally friendly recycling and disposal of your old system. They will dispose of the product in compliance with the applicable national regulations.

At the end of its life cycle, the installed ventilation device must be dismantled to ensure that it is disposed of correctly. The disassembly necessary for disposal is carried out in reverse order of assembly.



NOTE: This documentation does not contain the breakdown of PCBs, motors or electrical or electronic components. In this case, if necessary, contact info@inventer.de or your inVENTer contact.



CAUTION: ROTating components on the ventilation device and/or live components can cause physical injury!

- Only work on components of the ventilation system when the mains voltage is disconnected.

The following tools are required for **dismantling** the system. They are allocated to each stage of the assembly process below in brackets.

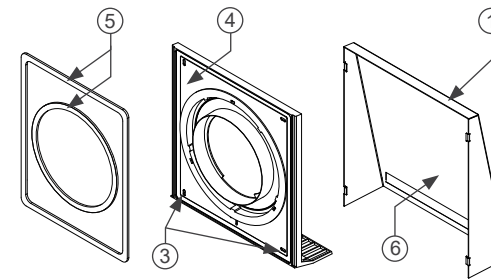


- A:** Flat-head screwdriver (small)
- B:** Cordless screwdriver / screwdriver (Phillips/Torx)
- C:** Cutter
- D:** Hex key
- E:** Angle grinder

2.1 Remove the exterior closure

Weather protection hood

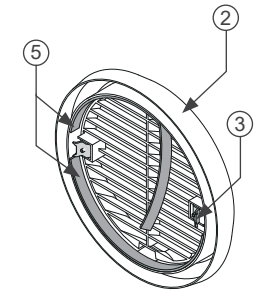
- ▶ Remove the cover from the base plate:
Flex (all variants) / Nova / 09:
- Push the cover upwards and remove it.
- Smart/Compact/Compact XL:**
- Loosen the screws on the sides (**B**)
- Pull the cover towards you to remove it.
- ▶ Separate out the sound protection mat from the cover (**C**).
- ▶ Unscrew the base plate from the façade (**B**).
- ▶ Remove the base plate from the wall sleeve.
- ▶ Remove the sealing tapes (**C**).
- ▶ Remove the end-stop tape from the wall sleeve (**C**).



Example of the Nova weather protection hood

Weather protection grille

- ▶ Loosen the screws (**B**).
- ▶ Remove the weather protection grille from the wall sleeve.
- ▶ Unfasten and remove the screws and fastening hooks.
- ▶ Remove the sealing tapes (**C**).
- ▶ Remove the end-stop tape from the wall sleeve (**C**).

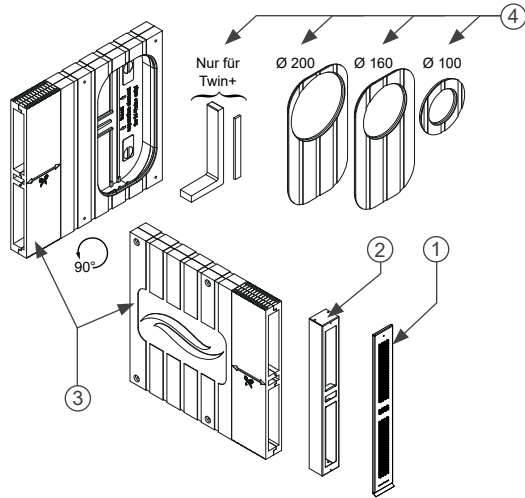


Example of the Light weather protection grille

Item	Component	Material
1	Flex / Nova / 09 / Smart / Compact / Compact XL weather protection hood cover	Powder-coated stainless steel Powder-coated aluminium
2	Light weather protection grille	ASA
3	Screws, washers, fastening hooks	Stainless steel / steel
4	Smart / Compact / Compact XL weather protection hood base plate	Powder-coated stainless steel
	Flex / Flex-Zero / Flex Twin+ / Flex Office / Nova / 09 weather protection hood base plate	ASA
5	Sealing tapes	PUR foam
6	Cover sound protection mat	EPDM
	Wall sleeve end-stop tape	PE foam

Corner exterior closure

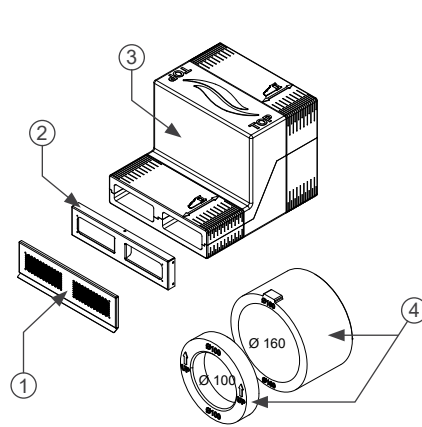
- ▶ Unscrew the reveal grille (B).
- ▶ Expose the Corner flat duct.
- ▶ Remove the flat duct from the exterior wall (B).
- ▶ Unscrew the sliding sleeve (B).
- ▶ Remove the sealing tapes (C).
- ▶ Remove the end-stop tape from the wall sleeve (C).



Example of the Corner exterior closure

Nordic exterior closure

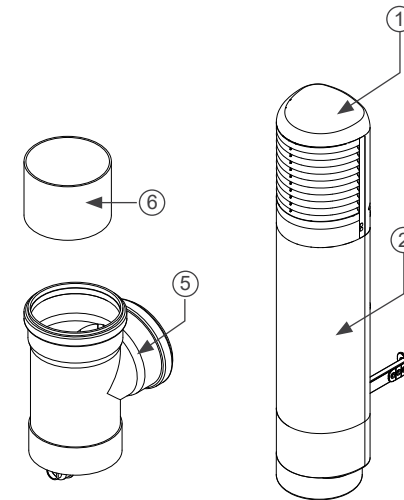
- ▶ Unscrew the exterior grille (B).
- ▶ Expose the Nordic exterior closure.
- ▶ Remove the exterior closure from the exterior wall.
- ▶ Unscrew the sliding sleeve (B).
- ▶ Remove the sealing tapes (C).
- ▶ Remove the end-stop tape from the wall sleeve (C).



Example of the Nordic exterior closure

Sylt exterior closure

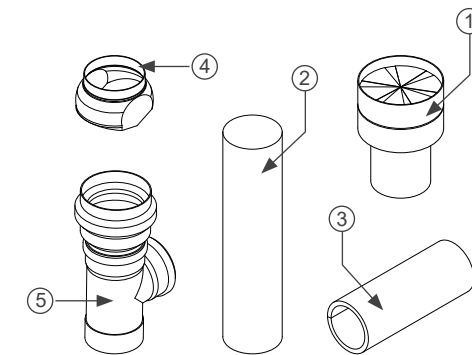
- ▶ Expose the exterior closure.
- ▶ Release the wall brackets (B).
- ▶ Remove the hood attachment, hood pipe and R-D160 branch from the wall sleeve (B).
- ▶ Remove the end-stop tape from the wall sleeve (C).



Example of the Sylt exterior closure

Top exterior closure

- ▶ Expose the exterior closure.
- ▶ Remove the hood attachment, riser incl. couplers and rain cuff, as well as the R-D160 branch from the wall sleeve.
- ▶ Pull the branch off the riser.
- ▶ Remove the sealing tape from the branch (C).
- ▶ Separate the hood attachment and riser (E).
- ▶ Remove the EPS from the riser (C).
- ▶ Remove the end-stop tape from the wall sleeve (C).



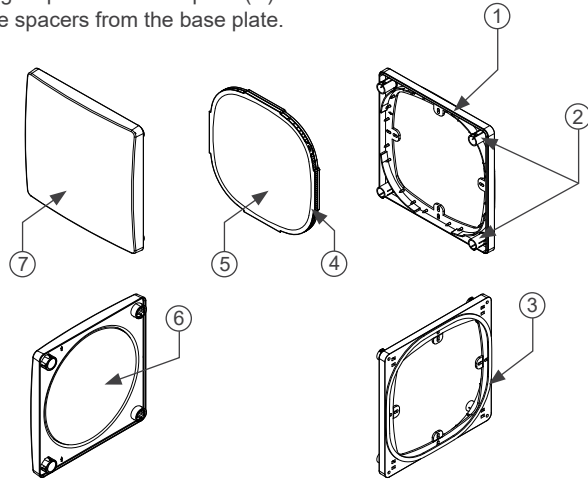
Example of the Top exterior closure

Item	Component	Material
1	Corner reveal grille	Powder-coated stainless steel Powder-coated aluminium
	Nordic external grille	Powder-coated aluminium
2	Sliding sleeve	Stainless steel
3	Corner flat duct	EPS
	Nordic façade closure	
4	Adapter for various wall sleeves	EPS
	Sealing tapes	PUR foam
	Wall sleeve end-stop tape	PE foam

Item	Component	Material
1	Hood attachment	PP
2	Top riser pipe / Sylt hood pipe / wall bracket	PP
3	EPS insert	EPS
4	Rain cuff	PP
5	R-D160 branch	PVC
6	Connecting piece	PPs
7	Wall sleeve sealing tapes / end-stop tape	PE foam

2.2 Remove the inner cover

- ▶ Remove the inner cover panel.
- ▶ If present: Separate out the sound insulation insert from the inner cover panel (C).
- ▶ Remove the filter from the base plate.
- ▶ Separate the filter frame from the filter material (C) if required.
- ▶ Unscrew the base plate from the interior wall (B / D).
- ▶ Pull the sealing strips off the base plate (C).
- ▶ Disconnect the spacers from the base plate.

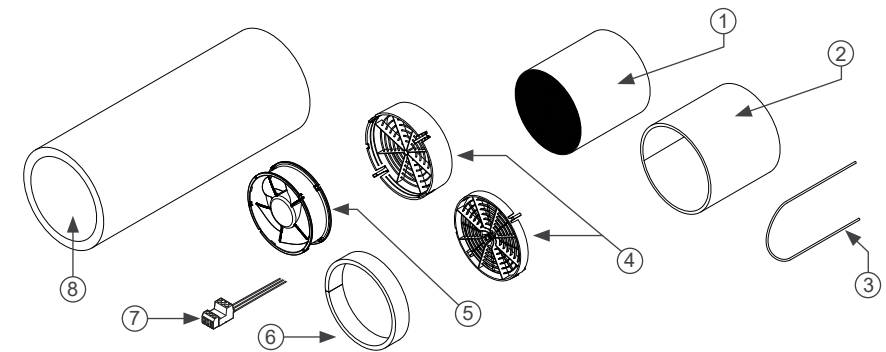


Example of the Flair SDE inner cover

Item	Product	Material
1	Inner cover base plate adapter (iV-Office) / inner cover base plate inserts (iV14-Zero)	PS
2	Inner cover spacer	POM
3	Base plate sealing tape	PES foam
4	Filter frame	TPU
5	ISO coarse 45 % (G3) dust filter material	ELS stick-shaped permanent filter
	ISO coarse 60 % (G4) dust filter material	PES
	Pollen filter material	PES
	Activated carbon filter material	PES fleece with activated carbon
6	Sound insulation inlay	Melamine resin foam
7	Inner cover panel / retaining plate, incl. inserts if present (e.g. iV-Twin+)	PS

2.3 Remove the insert

- ▶ Disconnect the plug connection. Remove the plug and socket from the wires (A).
- ▶ Remove the fan device from the wall sleeve.
- ▶ Release the guiding vanes from both sides of the reversible fan.
- ▶ If present: Remove the filter from the guiding vane (iV-Twin+).
- ▶ Disconnect the sheathing on the reversible fan (C).
- ▶ Pull the thermal accumulator out of the wall sleeve.
- ▶ Remove the retaining handle from the thermal accumulator.
- ▶ Separate the insulation from the thermal accumulator (C).
- ▶ If present: Remove the air flow separator from the wall sleeve (iV-Twin+).
- ▶ If present: Remove the sound insulation insert from the wall sleeve.
- ▶ Remove the wall sleeve from the wall.



Example of iV14-Zero insert

Item	Product	Material
1	Ceramic thermal accumulator	Clay porcelain
2	Ceramic thermal accumulator insulation	PUR ether
3	Retaining handle	Steel cord with PVC sheathing
4	Slim / Standard / R-D200 / iV-Twin+ fan device guiding vane	PC
5	Reversible fan	Electronic components, PBTP/PA PBT/GF
6	Reversible fan sheathing	PUR ether
7	Plug connections, connecting terminals	PA / PC
8	Sound insulation lining (iV14-Zero, iV-Office)	Inventin (melamine resin-based polymer)
	Separating element (iV-Twin+)	PP-s / EPDM
	Connecting cable (iV-Twin+)	Copper with plastic sheathing
	Wall sleeve	PP

inVENTer GmbH
Ortsstraße 4a
07751 Löberschütz
Germany
www.inventer.de

Subject to modifications.
We accept no liability for printing errors.

Item number: 5001-0055
Version: 1.0 – 11/2022

