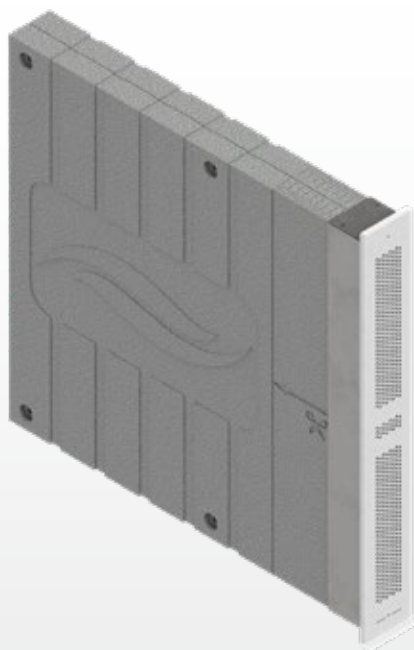




inVENTer

Installation instructions

Corner external finish



Corner flat duct 60x490x515

Corner iV-Twin+ flat duct 60x490x515

Reveal grille V-70x527

Trademarks, copyrights and property rights

inVENTer® is a registered trademark of inVENTer GmbH.

The copyright to this document remains with the manufacturer.
Rights to all content and images: © inVENTer GmbH 2021.

All trademarks used in this document are the property of their respective manufacturers and are hereby acknowledged.

Disclaimer

This documentation represents a translation of the original installation instructions. After completion of the installation it must be given to the user (tenant, owner, property management, etc.). The content of this documentation has been checked for compliance with the described components. Nevertheless deviations may still occur, therefore no guarantee of compliance can be provided.

This documentation describes the functionality of the standard scope. For reasons of clarity, the documentation does not purport to cover all details on all types of the product and cannot cover every conceivable scenario for assembly and installation.

The illustrations in this document may differ slightly from the design of the product that you have purchased. The same functionality is ensured despite any design deviations.

This documentation is updated regularly. Necessary corrections and appropriate supplements are always included in subsequent editions. You can find the latest version at www.inventer.de/downloads.

Company information

Publisher:

inVENTer GmbH
Ortsstraße 4a
07751 Löberschütz
Germany

Phone: +49 (0) 36427 211-0
Fax: +49 (0) 36427 211-113
E-mail: info@inventer.de
Web: www.inventer.de

CEO: Annett Wettig
VAT ID number: DE 815494982
Jena District Court HRB 510380

Table of contents

1	User and safety instructions	4
	1.1 User information	4
	1.2 Safety instructions	5
2	Overview: Corner external finish	7
	2.1 Construction	7
	2.2 Dimensional drawings	8
3	Preparing for installation	10
	3.1 Position of the wall opening	10
	3.2 Sectional drawing of the installation setup	12
4	Installation and assembly	18
	4.1 Check the scope of supply	18
	4.2 Installation instructions and requirements	19
	4.3 Preparing for installation	20
	4.4 Preparing the flat duct	21
	4.5 Cutting the flat duct to size	24
	4.6 Fitting the sliding sleeve	26
	4.7 Securing the flat duct to the exterior wall	28
	4.8 Fitting the reveal grille	31
5	Technical data	32
6	Scope of supply	32
7	Disposal	32
8	Guarantee and warranty	33
9	Service	33

1 User and safety instructions

Thank you for purchasing this high quality product from inVENTer!

This section provides an overview of the basic safety precautions for safe and proper operation of your ventilation system.

1.1 User information

Safety and warning instructions

The safety and warning instructions in these installation instructions have a uniform structure and are marked with a symbol on the left side of the instruction. A signal word in front of the text also indicates the hazard level. If several hazard levels exist, the highest level safety instruction is always used.

The safety and warning instructions contain the following information:



SIGNAL WORD: Type and origin of the hazard. Possible consequences of the hazard!
Measures to avoid the hazard.

The signal word indicates the severity of the potential hazard unless the preventive measures are taken:



WARNING means: Possible danger of serious injury or death.



CAUTION means: Direct danger of minor/significant injury.



NOTICE means: Direct or possible risk of property damage due to an adverse event/state.

If you see these signs, ensure you observe the described measures to prevent possible hazards and/or damage.

Other symbols used in this documentation

In addition to the safety instructions, the following symbols are used:



A **TIP** symbol indicates practical and useful tips for handling your ventilation system.



Before each step, any additional tools and materials required for the activity are listed.



Red bar over a graphic: graphic shows the interior wall.



Blue bar over a graphic: graphic shows the exterior wall.

► **Action required:** This prompts the user to perform a specific action.

⇒ **Check the results** requires you to check the results of the action you have performed.

1.2 Safety instructions

The installation instructions are part of your iV14-MaxAir ventilation unit and must be available at all times (see www.inventer.de/downloads). When handing the system to a third party, the information regarding access to the installation instructions must be handed over also. Before performing any work on the unit/system, read the installation instructions carefully and observe all notices that refer to the assembly and installation process in this section. Also note the safety instructions that precede the described handling instructions. Non-observance of safety instructions could result in injury and/or property damage.

Intended use

"Corner" refers to an external finish for inVENTer ventilation units.

The associated components must only be installed in combination with such units.

General information

- Always observe the relevant standards, regulations and guidelines when installing the components for this variant. In particular also applicable building regulations, fire safety regulations and accident prevention regulations of the employers' liability insurance association.
- Only use the components in accordance with the usage scenarios described in this documentation. Changes or modifications to the components are not permitted.
- Your ventilation system has been developed exclusively for use in ambient temperatures between -20 and +50 °C and the components of this installation variant must also only be used within this temperature range.
- Trouble-free and safe operation of the components of this installation variant depends on proper transportation, proper storage and installation, as well as careful cleaning and care.

Installation and assembly



- **CAUTION: The system may only be installed by qualified personnel.**
- Before starting work, you should have a project plan showing the number of ventilation units, the location of the ventilation units, the ventilation principle (cross ventilation, single room ventilation, extract ventilation) and the associated controllers. The exact positioning of the individual units and control devices must be checked at the installation site and, if necessary, adapted to the local conditions with the involvement of the responsible planner or user. For optimum functionality, installation is recommended in an appropriate place in the window's reveal area.
- **NOTICE:** Contamination of components, e.g. by plaster residue, will damage the components! Seal the air outlets so they are dust-tight throughout the construction work.
- **NOTICE:** Do not remove the thread locks, if applicable, until final assembly.
- **NOTICE:** Store components securely and do not throw them to avoid damage and breakage of the components.
- **NOTICE:** In order to avoid algae growth around the flat duct/reveal grille, the instructions for installation must be followed exactly (apply all sealing tapes!). Insulation of at least 10 mm thickness must be applied to the flat duct. We recommend a biocidal pre-treatment/ water-repellent pre-treatment of the façade surface around the flat duct/reveal grille. Consult your planner about this!
- **NOTICE:** When installing components in (exterior) walls with insulation, use insulation wall-plugs to ensure that the components are securely fastened. Insulation wallplugs are not included in the scope of supply, they are available as an option!



Cleaning and care



- **CAUTION:** The care of components must not be carried out by children and/or persons who are not fully capable of doing so due to their physical, sensory or mental capabilities, inexperience or lack of knowledge. Young children should be supervised to ensure that they do not play with the equipment.



- **NOTICE:** Do not use strong cleaning agents or solvents. Use a soft, damp cloth or brush for cleaning.

Any kind of use other than the intended use will exclude all liability claims.

Improper use

Any use that is not mentioned in the intended use section, is considered to be improper.

Especially do not install the components in areas in which the following may occur:

- Environment containing strong oils or lubricants.
- Flammable, aggressive and corrosive gases, liquids or vapours.
- Extreme dust exposure.
- Ambient temperatures outside the range of -20 to 50 °C.

Qualified personnel

The components may only be set up, operated and cleaned in conjunction with this documentation.

Any necessary **cleaning or maintenance work** can be carried out by the user following brief instructions. The cleaning/care of components must not be carried out by children and/or persons who are not fully capable of doing so due to their physical, sensory or mental capabilities, inexperience or lack of knowledge.

2 Overview: Corner external finish

The corner is an external finish for inVENTer ventilation units and comprises a flat duct and the reveal grille. It has been developed to integrate ventilation units in as inconspicuous a way as possible into exterior walls with insulation. It is especially ideal where soundproofing requirements are higher or if no visible weather protection hood can be affixed to the exterior wall due to building regulations (e.g. listed building stipulations).

The Corner external finish is intended for installation in insulation. The reveal grille inserted into the window reveal (white/grey/anthracite/custom colour) means that the ventilation units are integrated into the wall structure in a visually discreet manner.

The ultra-flat duct means that the Corner external finish is also suitable for low insulation thicknesses and can be inserted on both the right and left of the window reveal.

The Corner external finish is available in two variants:

- Standard for all inVENTer ventilation units with simple airflow
- iV-Twin+ for iV-Twin+ (split airflow)

Components

- Corner flat duct
- Sliding sleeve (Fixation element)
- Reveal grille

An adapter depending on the ventilation unit

- Cut-out adapter Ø 100 mm, Ø 160 mm, Ø 200 mm

Only for ventilation unit

iV-Twin+ included

- Flat duct separating insert
- Sealing element

2.1 Construction

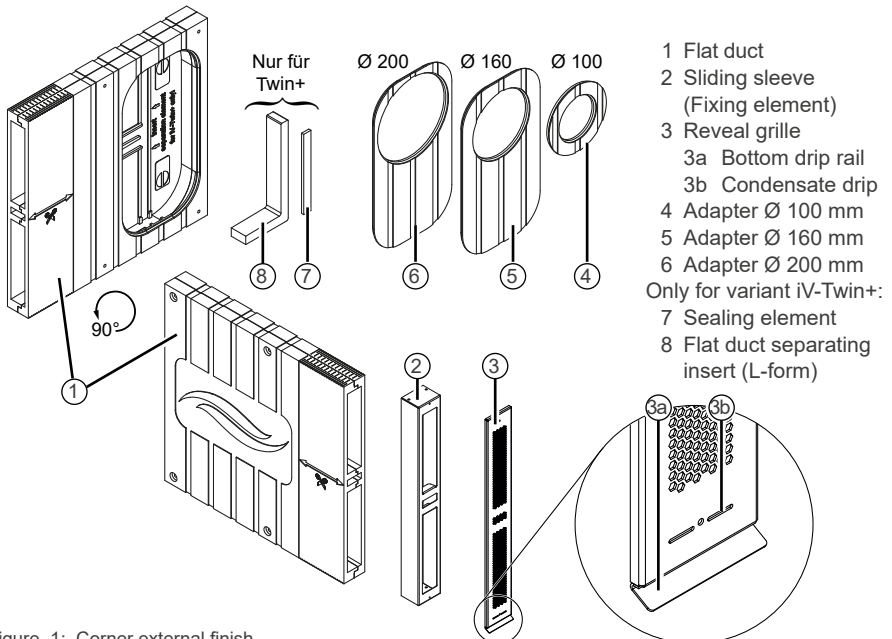


Figure 1: Corner external finish

2.2 Dimensional drawings

Flat duct

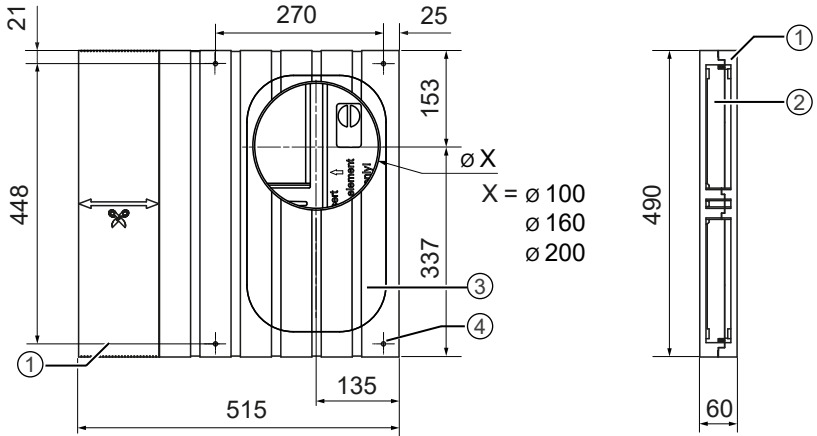
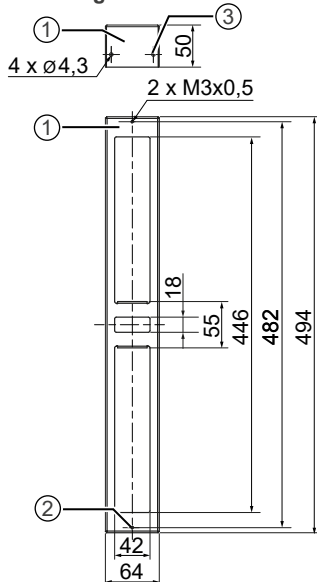


Figure 2: Scale drawing of flat duct 60x490x515

- 1 Flat duct
- 2 Air outlet
- 3 Wall sleeve adapter
(Ø 100 mm, Ø 160 mm, Ø 200 mm)
- 4 Fixing holes (4 x)

Flat duct sliding sleeve



- 1 Metal sleeve
- 2 Threaded hole (2x)
- 3 Fixing holes (4 x)

Figure 3: Scale drawing of flat duct sliding sleeve

Reveal grille

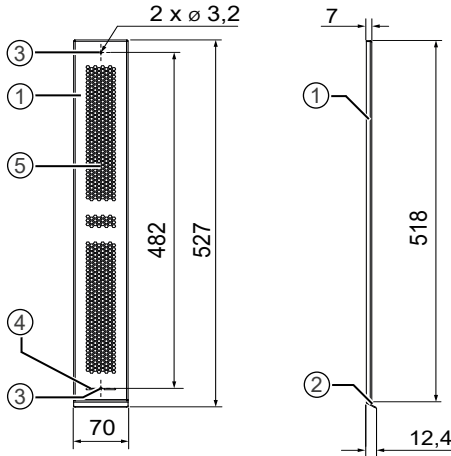


Figure 4: Scale drawing of reveal grille V-70x527

- | | |
|---------------------------------|-------------------|
| 1 Reveal grille | 4 Condensate drip |
| 2 Bottom drip rail | 5 Air outlet |
| 3 Pass-through drill hole (2 x) | |

Flat duct separating insert



Only used in conjunction with the inVENTer iV-Twin+ ventilation unit!

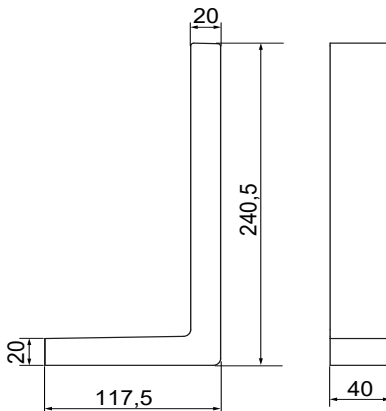


Figure 5: Scale drawing of flat duct separating insert

3 Preparing for installation

3.1 Position of the wall opening

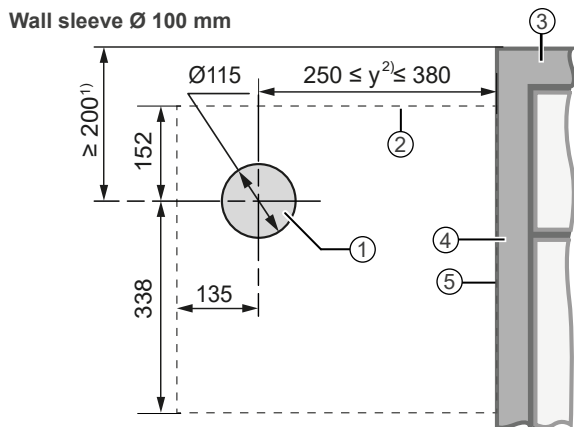


Figure 6: Scale drawing of wall opening for wall sleeve Ø100 mm (interior view)

- | | |
|---------------------------------------|---------------------|
| 1 Wall opening | 4 Door/window frame |
| 2 Flat duct contour | 5 Reveal |
| 3 Bottom edge of lintel ¹⁾ | |

1) Be aware of the insulation thickness and possible roller shutters on the exterior wall
 2) See sectional drawing (12 f., Fig. 9/10)

Dimensions

Designation	Depth/length [mm]	Width [mm]	Height [mm]
Wall opening for wall sleeve	Wall thickness ¹⁾	Ø115	
R-D103 wall sleeve	495 (745)	Ø103	
Corner flat duct 60x490x515	515	60	490
Reveal grille V-70x527	12.4	70	527

1) with masonry and plaster; insulation thickness at least 70 mm

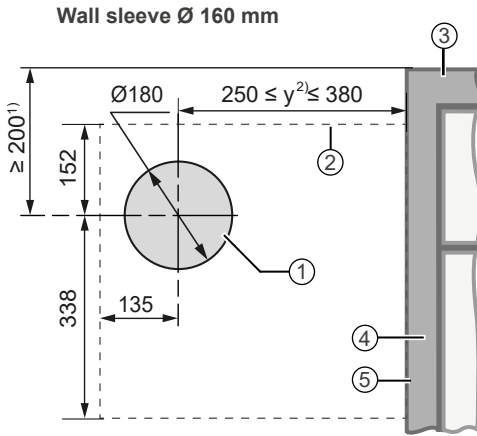


Figure 7: Scale drawing of wall opening for wall sleeve Ø160 mm (interior view)

- 1 Wall opening
- 2 Flat duct contour
- 3 Bottom edge of lintel¹⁾
- 4 Door/window frame
- 5 Reveal

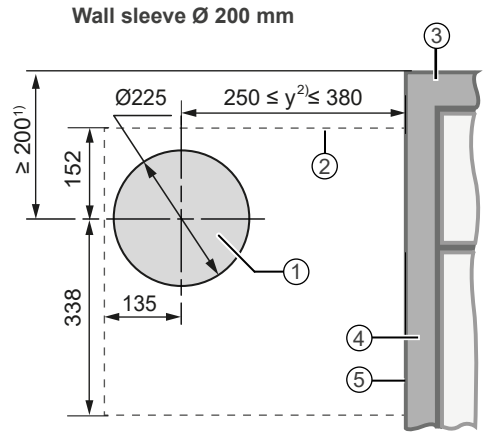


Figure 8: Scale drawing of wall opening for wall sleeve Ø200 mm (interior view)

- 1 Wall opening
- 2 Flat duct contour
- 3 Bottom edge of lintel¹⁾
- 4 Door/window frame
- 5 Reveal

1) Be aware of the insulation thickness and any roller shutters on the exterior wall

2) 160 mm: See sectional drawing (14 f., Fig. 11/12)

2) 200 mm: See sectional drawing (16 f., Fig. 13/14)

Dimensions

Designation	Depth/length [mm]	Flat duct with adapter Ø160 mm		Flat duct with adapter Ø 200 mm	
		Width [mm]	Height [mm]	Width [mm]	Height [mm]
Wall opening for wall sleeve	Wall thickness ¹⁾	Ø180		Ø225	
Wall sleeve	495 (745)	Ø160		Ø200	
Corner flat duct 60x490x515	515	60	490	60	490
Reveal grille V-70x527	12.4	70	527	70	527

1) with masonry and plaster; insulation thickness at least 70 mm

3.2 Sectional drawing of the installation setup

Wall sleeve \varnothing 100 mm

Installation version 1: Flat duct is attached to masonry

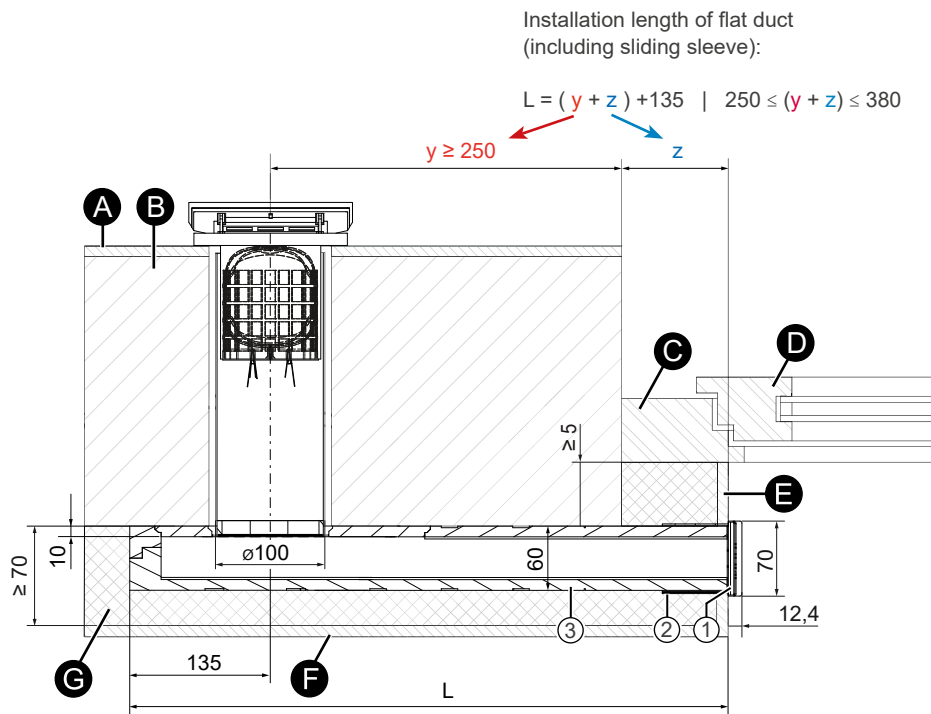


Figure 9: Sectional drawing showing the aV100-ALD Corner ventilation unit (top view) as an example

- | | |
|-------------------|----------------------------|
| A Plaster | E Reveal edge plaster |
| B Masonry | F Render |
| C Window frame | G Insulation ¹⁾ |
| D Window casement | |
- 1 Reveal grille with sealing tape
 - 2 Flat duct sliding sleeve with sealing tape
 - 3 Flat duct²⁾

¹⁾ The insulation thickness on the flat duct must be at least 10 mm.

²⁾ (y + z) must be min. 250 mm / max. 385

Installation version 2: Flat duct is underlaid with insulation

By underlaying the flat duct with insulation material, it is possible to adjust the position of the flat duct in the insulation layer.

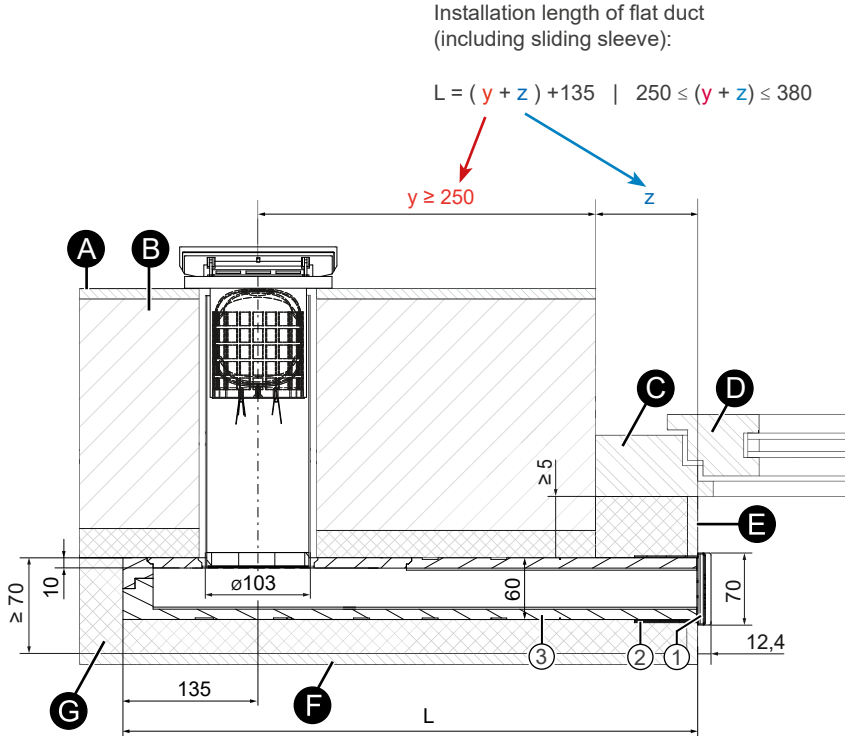


Figure 10: Sectional drawing showing the aV100-ALD Corner ventilation unit (top view) as an example

A Plaster

B Masonry

C Window frame

D Window casement

E Reveal edge plaster

F Render

G Insulation¹⁾

1 Reveal grille with sealing tape

2 Flat duct sliding sleeve with sealing tape

3 Flat duct²⁾

1) The insulation thickness on the flat duct must be at least 10 mm.

2) (y + z) must be min. 250 mm / max. 385

Wall sleeve Ø 160 mm

Installation version 1: Flat duct is attached to masonry

Installation length of flat duct
(including sliding sleeve):

$$L = (y + z) + 135 \quad | \quad 250 \leq (y + z) \leq 380$$

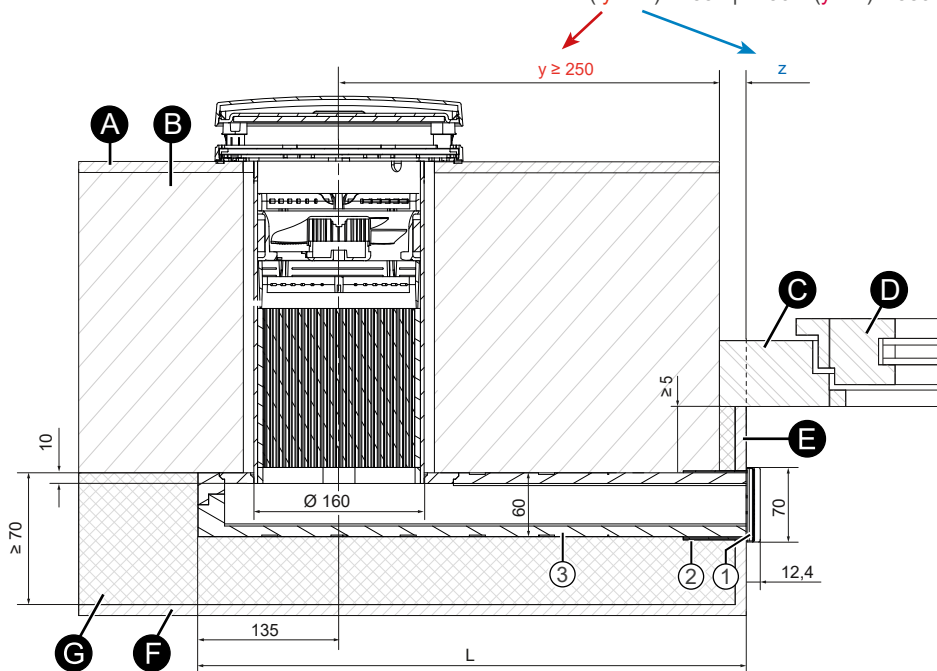


Figure 11: Sectional drawing showing the iV-Smart+ Corner ventilation unit (top view) as an example

- | | |
|-------------------|----------------------------|
| A Plaster | E Reveal edge plaster |
| B Masonry | F Render |
| C Window frame | G Insulation ¹⁾ |
| D Window casement | |
-
- 1 Reveal grille with sealing tape
 - 2 Flat duct sliding sleeve with sealing tape
 - 3 Flat duct²⁾

¹⁾ The insulation thickness on the flat duct must be at least 10 mm.

²⁾ (y + z) must be min. 250 mm / max. 385

Installation version 2: Flat duct is underlaid with insulation

By underlaying the flat duct with insulation material, it is possible to adjust the position of the flat duct in the insulation layer.

Installation length of flat duct
(including sliding sleeve):

$$L = (y + z) + 135 \quad | \quad 250 \leq (y + z) \leq 380$$

$y \geq 250$

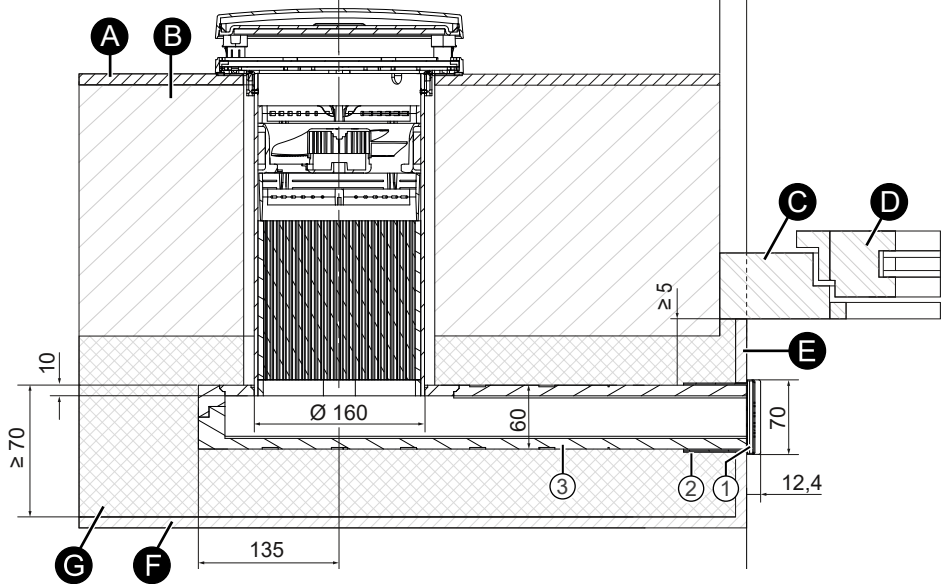


Figure 12: Sectional drawing showing the iV-Smart+ Corner ventilation unit (top view) as an example

- | | |
|-------------------|----------------------------|
| A Plaster | E Reveal edge plaster |
| B Masonry | F Render |
| C Window frame | G Insulation ¹⁾ |
| D Window casement | |
-
- 1 Reveal grille with sealing tape
 - 2 Flat duct sliding sleeve with sealing tape
 - 3 Flat duct²⁾

1) The insulation thickness on the flat duct must be at least 10 mm.

2) (y + z) must be min. 250 mm / max. 385

Wall sleeve Ø 200 mm

Installation version 1: Flat duct is attached to masonry

Installation length of flat duct
(including sliding sleeve):

$$L = (y + z) + 135 \quad | \quad 250 \leq (y + z) \leq 380$$

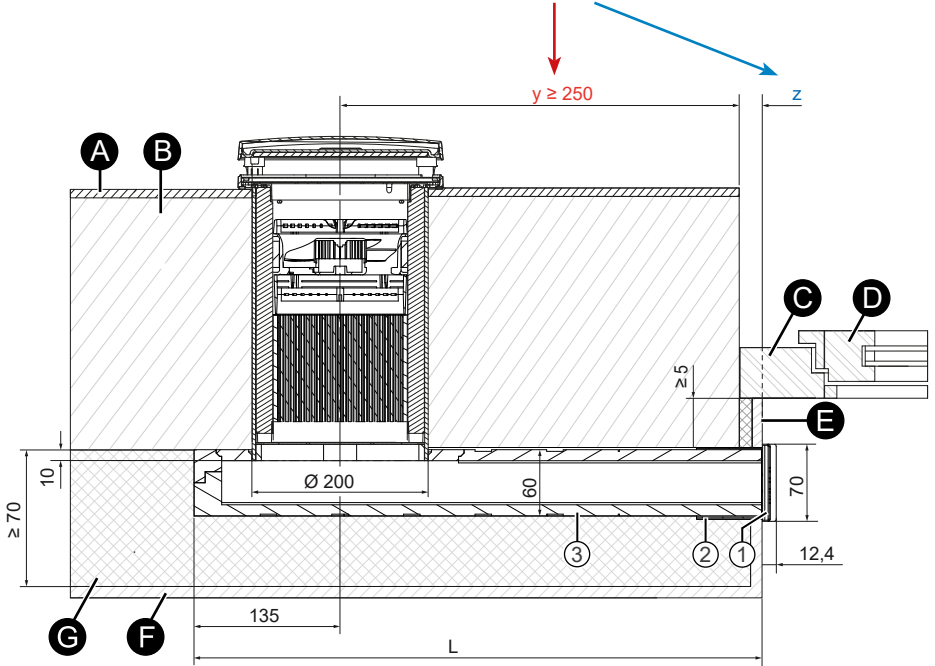


Figure 13: Sectional drawing showing the iv4-Zero Corner ventilation unit (top view) as an example

- | | |
|-------------------|----------------------------|
| A Plaster | E Reveal edge plaster |
| B Masonry | F Render |
| C Window frame | G Insulation ¹⁾ |
| D Window casement | |
-
- 1 Reveal grille with sealing tape
 - 2 Flat duct sliding sleeve with sealing tape
 - 3 Flat duct²⁾

¹⁾ The insulation thickness on the flat duct must be at least 10 mm.

²⁾ (y + z) must be min. 250 mm / max. 385

Installation version 2: Flat duct is underlaid with insulation

By underlaying the flat duct with insulation material, it is possible to adjust the position of the flat duct in the insulation layer.

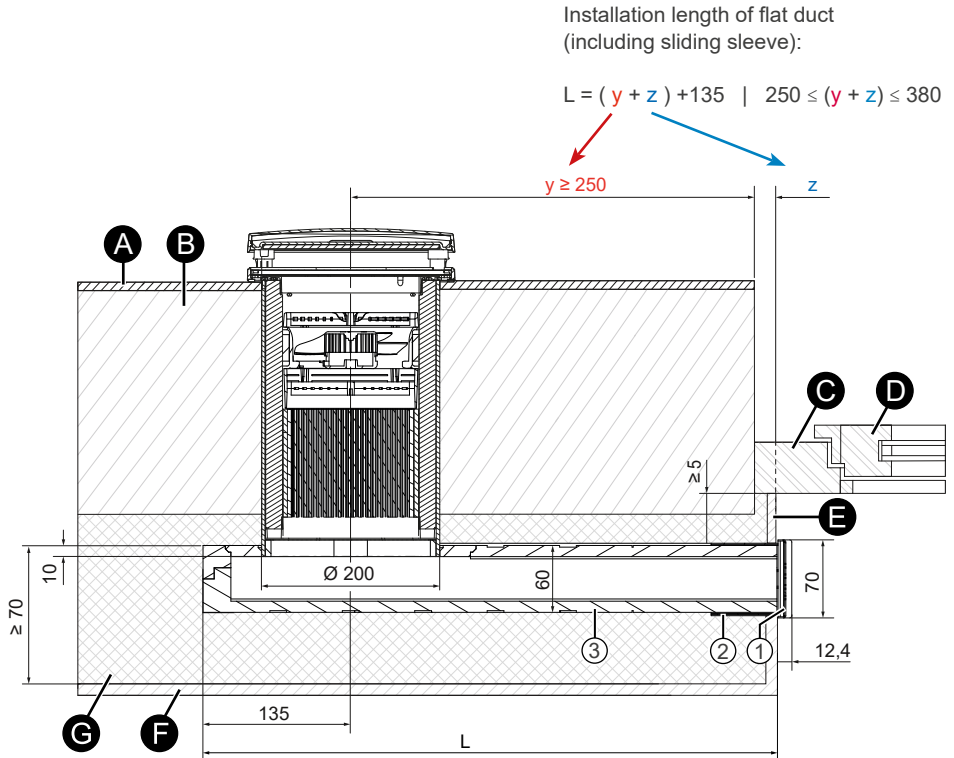


Figure 14: Sectional drawing showing the iv14-Zero Corner ventilation unit (top view) as an example

- | | |
|-------------------|----------------------------|
| A Plaster | E Reveal edge plaster |
| B Masonry | F Render |
| C Window frame | G Insulation ¹⁾ |
| D Window casement | |
-
- 1 Reveal grille with sealing tape
 - 2 Flat duct sliding sleeve with sealing tape
 - 3 Flat duct²⁾

1) The insulation thickness on the flat duct must be at least 10 mm.

2) (y + z) must be min. 250 mm / max. 385

4 Installation and assembly



Read the section carefully before installation to avoid installation errors.
Assembly must be carried out by qualified personnel.

4.1 Check the scope of supply

Check the delivery for completeness and transport damage upon receipt using the delivery note.
Report missing items immediately.



The scope of supply of the Corner external finish is made up of two delivery units:
The Corner flat duct 60x490x515 or Corner iV-Twin+ flat duct 60x490x515 and a V-70x527 reveal grille.
The reveal grille is available in various colours and must be ordered according to the specifically requested colour and properties.

Corner Standard external finish

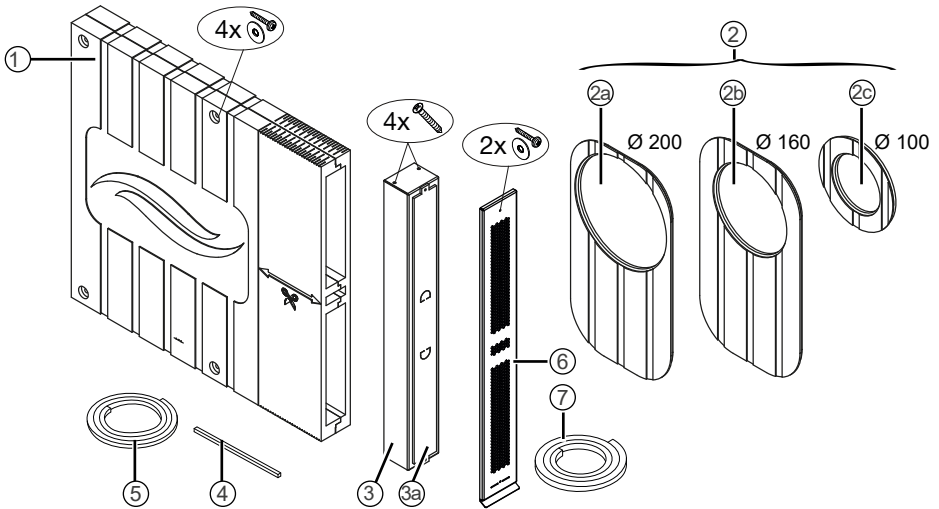


Figure 15: Scope of supply for the Corner Standard external finish including reveal grille

- | | |
|--|---------------------------|
| 1 Flat duct incl. 4 x fixing material | 4 End-stop tape |
| 2 Adapter for various diameters of the wall sleeve | 5 Sealing tape 10 mm |
| 2a Adapter with cut-out Ø 200 mm | 6 Reveal grille |
| 2b Adapter with cut-out Ø 160 mm | incl. 2 x fixing material |
| 2c Adapter with cut-out Ø 100 mm | 7 Sealing tape 15 mm |
| 3 Sliding sleeve with | |
| 3a plaster protection (pre-fitted) | |
| incl. 4x fixing material | |

Corner iV-Twin+ external finish

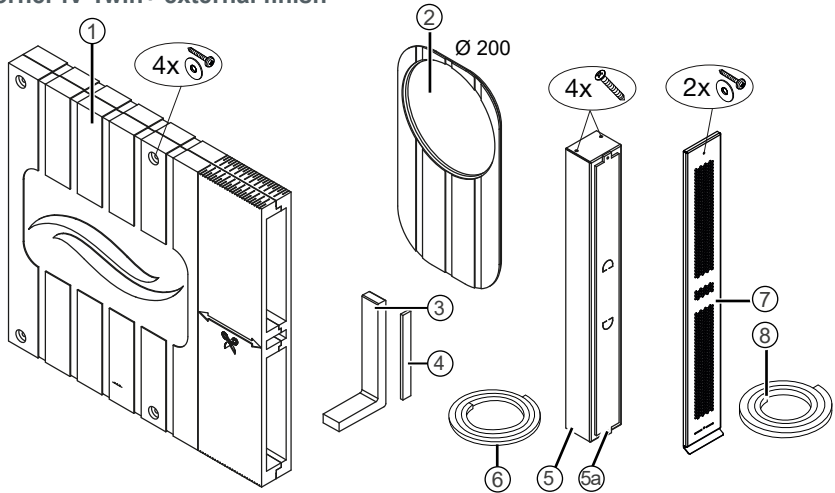


Figure 16: Scope of supply for the Corner Twin+ external finish including reveal grille

- | | |
|---|---------------------------|
| 1 Flat duct incl. 4 x fixing material | 6 Sealing tape 10 mm |
| 2 Adapter with cut-out \varnothing 200 mm | Reveal grille |
| 3 Flat duct separating insert | incl. 2 x fixing material |
| 4 Sealing element | 7 Sealing tape 15 mm |
| 5 Sliding sleeve with | |
| 5a plaster protection (pre-fitted) | |
| incl. 4 x fixing material | |

4.2 Installation instructions and requirements



NOTICE

Penetration of condensate and/or algae build-up around the flat duct, wall opening and reveal grille leads to damage to the masonry/external wall and/or discolouration of the façade!

- Secure sealing tape all the way around the reveal grille before installing the external finish.
- In the wall sleeve, attach end-stop tape toward the exterior wall and place the cut-out in the end-stop tape at the bottom in the centre of the wall sleeve.
This step is not required when installing an **iV-Twin+** since it does **not** use any end-stop tape!
- Before installation, carry out a biocidal pre-treatment/water-repellent pre-treatment of the plaster surface around the external finish (consult your planner regarding this!)

⇒ The exterior wall is completed and even.

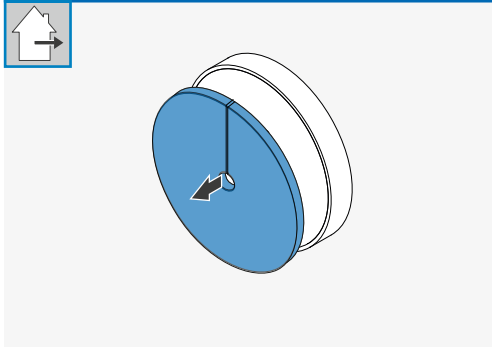
⇒ The wall sleeve matching your ventilation unit (\varnothing 100 mm, \varnothing 160 mm or \varnothing 200 mm) is installed.



To install the wall sleeve, see the installation and operating instructions for your specific ventilation unit.

4.3 Preparing for installation

Removing plaster protection (Styrofoam disc)



Shown here is the wall sleeve of diameter 200 mm, however this installation step applies in the same way for wall sleeves of diameter 100 mm and 160 mm.

- ▶ Remove the protective discs from the wall sleeve on the exterior wall side.

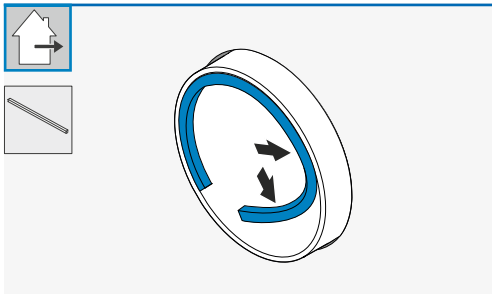
Attaching end-stop tape



This step is not required with wall sleeves of diameter 100 mm and when installing an iV-Twin+.



End-stop tape



- ▶ Attach the end-stop tape, 380 x 15 mm, on the exterior wall side in the upper area of the wall sleeve.
Make sure that the cut-out in the circumferential end-stop tape is placed in the lower area of the wall sleeve (condensate drip).

⇒ The wall sleeve is prepared for installation.

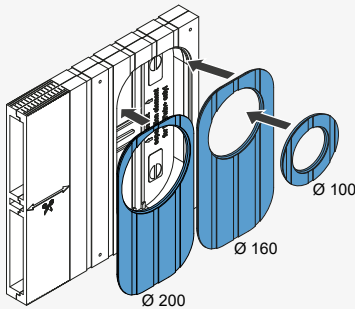
4.4 Preparing the flat duct



The flat duct can be installed on the right or left of the window reveal. This installation setup must be taken into account when inserting the adapter. The hole cut-out on the adapter must always point upwards, so the flat duct may need to be rotated around 180° before inserting the adapter.

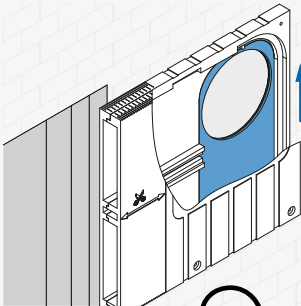
Corner Standard external finish

Inserting the adapter into the flat duct

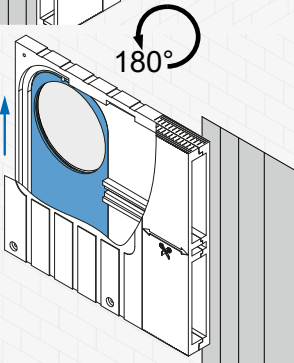


- ▶ Determine which side of the window reveal the flat duct is to be installed on.
- ▶ Align the flat duct in the direction of installation.
- ▶ Choose the adapter with the cut-out required for installation of your ventilation unit: Ø 100 mm (adapters Ø 100 mm and adapters Ø 160 must be inserted), Ø 160 mm or Ø 200 mm.
- ▶ Insert the selected adapter into the flat duct.

A



B



The adjacent illustration of the insertion of an adapter with a Ø 200 mm cut-out is an example.

- ▶ **Ensure** that the hole cut-out on the adapter always points upwards, depending on which side of the window reveal the flat duct is to be installed.

A: Installation on the right of the window reveal

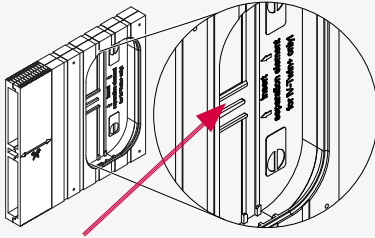
For installation on the left of the window reveal:

- ▶ Rotate the flat duct around 180°.

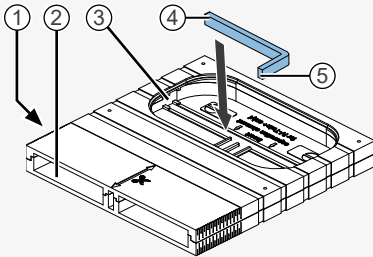
B: Installation on the left of the window reveal

Corner iV-Twin+ external finish

Inserting the flat duct separating insert



Guides for separating insert



There are guides in the flat duct into which the separating insert is slotted.

- Determine which side of the window reveal the flat duct is to be installed on.



The flat duct can be installed on the right or left of the window reveal. This installation setup must be taken into account when securing the separating insert.

- Align the flat duct in the direction of installation.

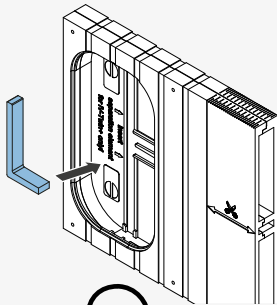
- 1 At the top in the direction of installation
- 2 Air outlet
- 3 End stop of the long arm
- 4 Long arm of the separating insert
- 5 Short arm of the separating insert

- Slide the separating insert into the guide. The long arm abuts at the top with the opening of the flat duct while the short arm points towards the air outlet.

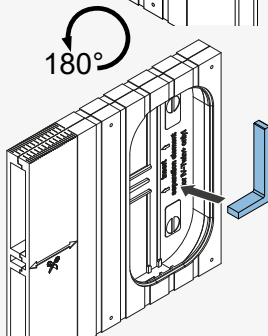
Ensure that the long arm of the separating insert always points upwards when being inserted and that the short arm points towards the outlet. To ensure this, align the flat duct and separating insert accordingly with each other where necessary.

A: Installation on the right of the window reveal

A



B



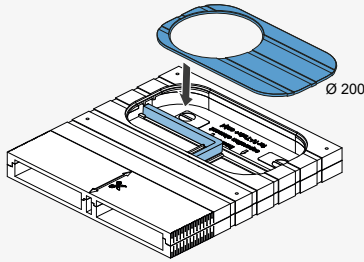
For installation on the left of the window reveal:

- Rotate the flat duct around 180°.

B: Installation on the left of the window reveal

- ⇒ The separating insert is secured in the flat duct.

Inserting the adapter into the flat duct



Requirements:

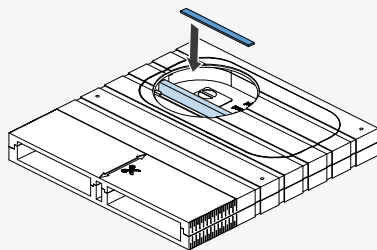
The separating insert is in the flat duct.



The flat duct's direction of installation (left or right of the window reveal) is already determined by the inserted separating insert.

- ▶ Insert the supplied adapter into the flat duct. **Ensure** that the adapter with the Ø 200 hole cut-out is placed on the long arm of the separating insert.

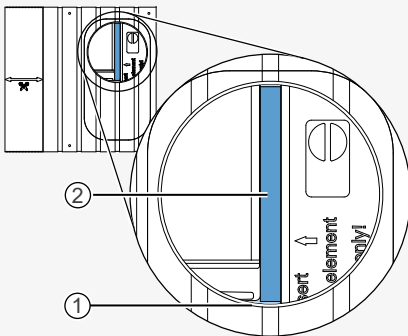
Attach the sealing element to the separating insert



Requirements:

The separating insert and adapter are positioned in the flat duct.

- ▶ Pull the protective film off the adhesive surface of the sealing element.
- ▶ Stick the sealing element in the area of the adapter cut-out centrally on the visible long arm of the separating insert.



⇒ You have attached the sealing element to the separating insert.

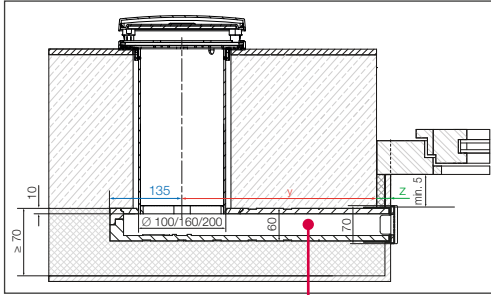
- 1 Attached separating insert
- 2 Sealing element stuck in the centre

4.5 Cutting the flat duct to size

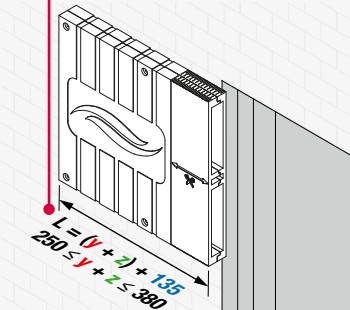
Installation version 1: Flat duct is attached to masonry



Folding ruler / measuring tape, pencil, saw

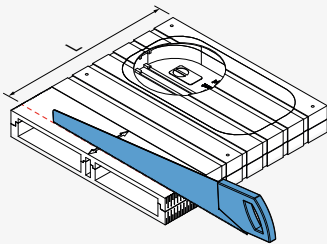


The adjacent illustration is an example. The installation step applies equally to wall sleeves of diameter 100 mm, 160 mm and 200 mm.



- ▶ Determine the installation length:
 - Push the flat duct onto the wall sleeve.
 - Make a mark flush with the window reveal, deducting 3 mm for the sliding sleeve and sealing tape that will be attached later.
 - Add the insulation and plaster thickness (z) to the marked length.

⇒ You have determined the installation length L of the flat duct (y+z) + 130.



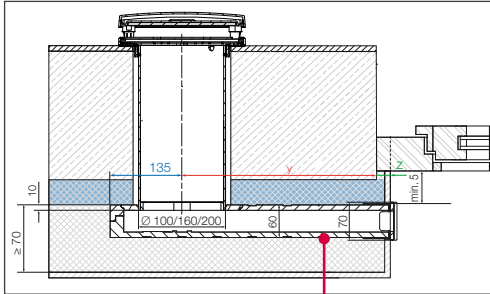
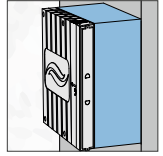
- ▶ Saw the flat duct to the determined installation length L.

⇒ You have cut the flat duct to size.

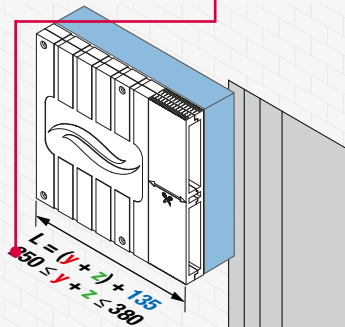
Installation version 2: Flat duct is underlaid with insulation



Folding ruler / measuring tape, pencil, saw

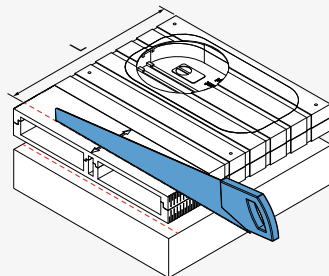


The adjacent illustration is an example. The installation step applies equally to wall sleeves of diameter 100 mm, 160 mm and 200 mm.



- ▶ Determine the installation length:
 - Push the substructure panel and flat duct onto the wall sleeve together.
 - Make a mark flush with the window reveal, deducting 3 mm for the sliding sleeve and sealing tape that will be attached later.
 - Add the insulation and plaster thickness (z) to the marked length.

⇒ You have determined the installation length L (y+z) + 130.



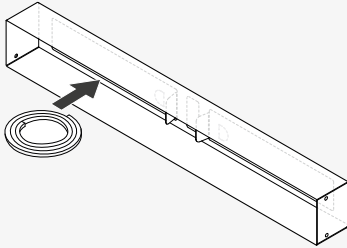
- ▶ Place the flat duct and the substructure panel congruently on top of each other.
- ▶ Saw the flat duct together with the substructure panel to the determined installation length L.

⇒ You have cut the flat duct and also the substructure panel to size.

4.6 Fitting the sliding sleeve



10 mm sealing tape, cordless screwdriver, screws

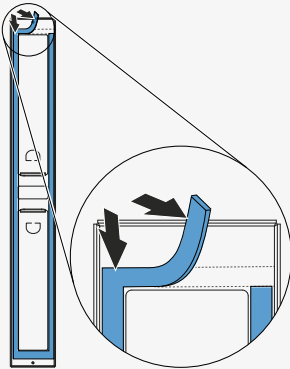


Requirements:

The flat duct is prepared (adapter inserted, flat duct cut to length).

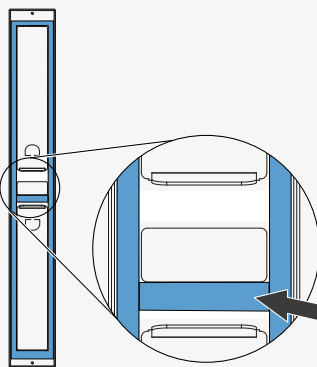


10 mm sealing tape is used.
It is stuck into the interior of the sliding sleeve.

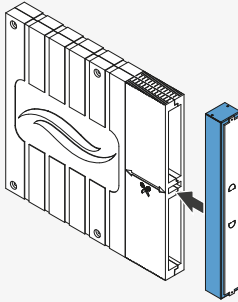


► Pull a piece of the protective film off the adhesive surface of the sealing tape and stick it at the level of the cut-out inside on the cut-out edge of the sliding sleeve.

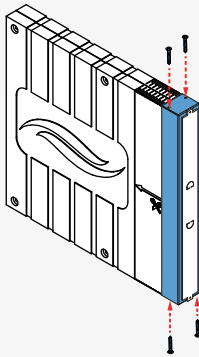
► Secure the sealing tape all the way around along the cut-out edge on the inside of the sliding sleeve. To do this, gradually pull off the protective film from the adhesive surface of the sealing tape.



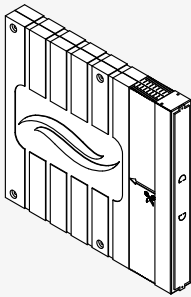
► Also secure the sealing tape on the inside to a cross-strut on the sliding sleeve. This cross-strut must be positioned at the bottom when the sliding sleeve is fitted to the flat duct.



- ▶ Push the sleeve all the way onto the flat duct's outlet opening until it stops.
Take care to ensure that the strut with the sealing tape is positioned at the bottom.
Take care to ensure that you push the sleeve all the way until it stops.



- ▶ Screw the sliding sleeve at the top and bottom to the flat duct.

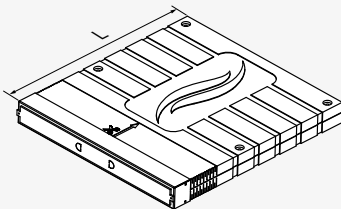


⇒ You have fitted the sliding sleeve with the sealing tape secured in place.

CHECK:



$$L = y + z + 135$$



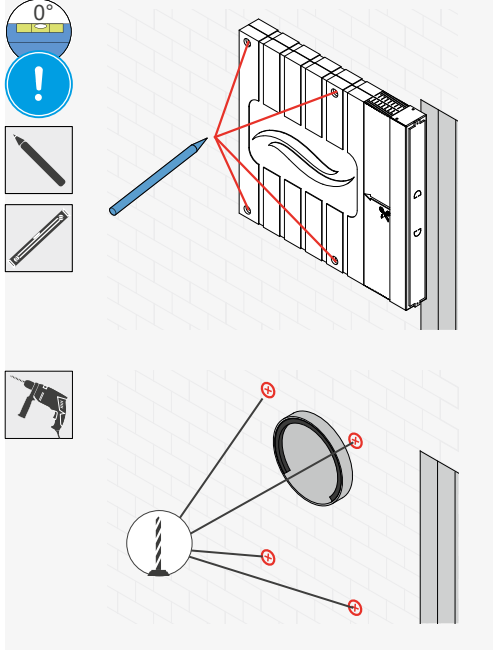
Check the length again to ensure it matches with the length determined in section 4.5.

Ensure that you measure up to the edge of the sliding sleeve. The plaster protection is not included in the measurement.

4.7 Securing the flat duct to the exterior wall



Spirit level, pencil, drill with 8 mm bit, cordless screwdriver, rawl plugs, screws




Requirements:

The sliding sleeve is installed.

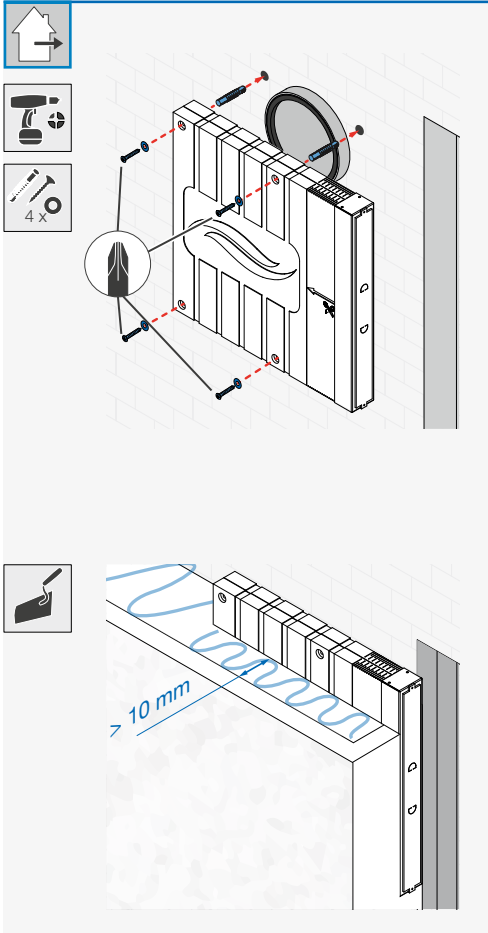
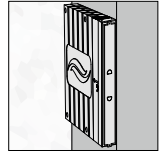
- ▶ Push the flat duct onto the wall sleeve and mark the drill holes.
The flat duct is fitted without a slope.

- ▶ Drill the four holes with \varnothing 8 mm, min. 50 mm deep.

 When installing a iV-Twin+ Corner, there is no end-stop tape in the wall sleeve.

⇒ The masonry is prepared.

Installation version 1: Flat duct is attached to masonry



Requirements:

The sliding sleeve is installed.
The masonry is prepared.

- ▶ Insert the rawl plugs into the boreholes.
- ▶ Screw the flat duct to the exterior wall.



Alternatively, you can glue the flat duct to the wall. To do this, follow the instructions on how to use your specific façade adhesive.

⇒ The flat duct is secured to the exterior wall.

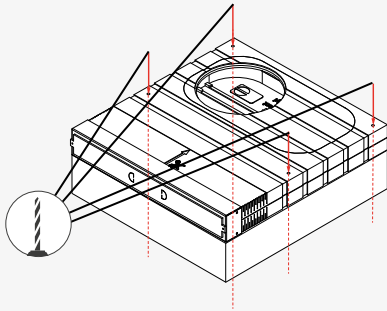
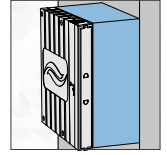


NOTICE: Insulation of at least 10 mm must be applied to the flat duct. We recommend an insulation thickness of ≥ 20 mm on the flat duct.

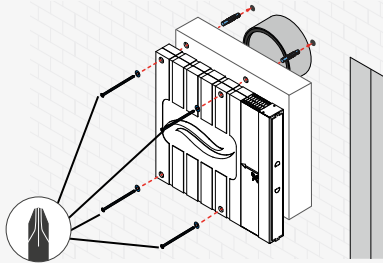
- ▶ Apply the insulation to the exterior wall. **Ensure** that at least 10 mm of insulation is applied to the flat duct.
- ▶ Apply render to the insulation and window reveal.
- ▶ Render the window reveal flush with the sliding sleeve.
Take care not to apply render up to the plaster guard (render edge at the height of the sliding sleeve).

⇒ The flat duct is installed.

Installation version 2: Flat duct is underlaid with insulation



- ▶ Place the flat duct and the substructure panel congruently on top of each other.
- ▶ Drill through the screw holes present in the flat duct and create the custom-fit drill holes in the substructure panel.



- ▶ Insert the rawl plugs into the boreholes.
- ▶ Screw the flat duct together with the substructure panel to the exterior wall.

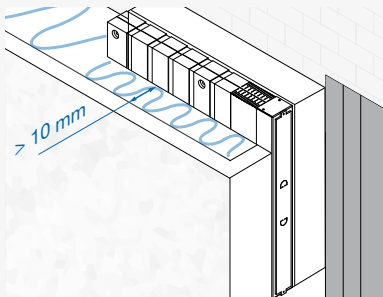


Alternatively, you can glue the underlay to the flat duct and then bond them to the masonry together. To do this, follow the instructions on how to use your specific façade adhesive.

⇒ The flat duct is secured to the exterior wall.



NOTICE: Insulation of at least 10 mm must be applied to the flat duct. We recommend an insulation thickness of ≥ 20 mm on the flat duct.



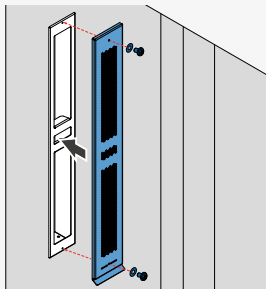
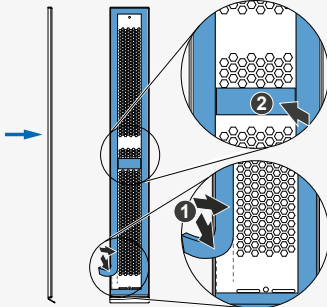
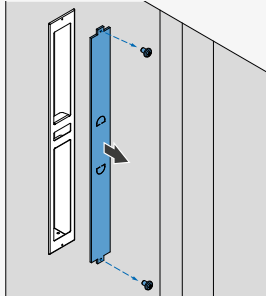
- ▶ Apply the insulation to the exterior wall. **Ensure** that at least 10 mm of insulation is applied to the flat duct.
- ▶ Apply render to the insulation and window reveal.
- ▶ Render the window reveal flush with the sliding sleeve. **Take care** not to apply render up to the plaster guard (render edge at the height of the sliding sleeve).

⇒ The flat duct is installed.

4.8 Fitting the reveal grille



Screwdriver, 15 mm sealing tape, screws



Requirements:

The exterior wall is completed and even.
The flat duct is installed.



NOTICE: If the reveal grille is installed on not fully hardened exterior walls, the exterior wall will be damaged!

- Only fit the reveal grille once the exterior wall is finished and has fully hardened.

- ▶ Remove the thread locks.
- ▶ Remove the plaster protection.



TIP: Do not apply the sealing tape until immediately before installing the reveal grille. This prevents the sealing tape from swelling too much and makes installation easier.

- ▶ Pull a piece of the protective film off the adhesive surface of the sealing tape and stick at the bottom in the bending edge of the window reveal.
- ▶ Fasten the sealing tape on the outside wall side all around along the bending edge on the inside in the reveal grille.
Take care to ensure that the sealing tape is bonded below the condensate drip and the pass-through drill hole at the bottom and above the pass-through drill hole at the top.
- ▶ Also secure the sealing tape on the inside to the lower surface between the reveal grille's grid honeycomb.
- ▶ Screw the reveal grille to the flat duct.
Make sure that the drip rail is directed towards the ground.

⇒ You have fitted the reveal grille.

⇒ The external finish is fitted.

5 Technical data



The specifications contained in the instructions for your specific ventilation unit apply. The standard sound level difference altered by the use of the Corner external finish is specified in the table below.

Ventilation unit	Standard sound level difference [dB]	Ventilation unit	Standard sound level difference [dB]
iV-Smart+	53 – 59	aV100 wall installation set	55 – 59
iV14-Zero	55 – 60	aV100 ALD	53
iV14-MaxAir	45 – 51	aV160 ALD	61
iV-Twin+	n. a.	aV200 ALD	54

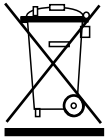
6 Scope of supply

All components are also available as spare parts.

Component	Item number
Corner flat duct 60x490x515	1506-0115
Corner iV-Twin+ flat duct 60x490x515	1506-0139
Reveal grille V-70x527 white - RAL9016	1508-0120 1508-0190 ¹⁾
Reveal grille V-70x527 grey - RAL9006	1508-0121 1508-0191 ¹⁾
Reveal grille V-70x527 custom colour	1508-0123 1508-0194 ¹⁾
Reveal grille V-70x527 anthr. - RAL7016	1508-0130 1508-0192 ¹⁾

¹⁾ Special variant: consisting of aluminium, with increased salt resistance.

7 Disposal



The products described in these installation instructions contain valuable materials which can be recovered and recycled. The separation of waste materials into different varieties facilitates recovery of the recyclable materials. Contact your local authority disposal company to arrange environmentally friendly recycling and disposal of your old system. They will dispose of the product in compliance with the applicable national regulations. Ensure that the product's packaging is sorted correctly for disposal.

The table below contains disposal recommendations.

Component	Material	Disposal
Flat duct	Neopor / EPS	Recyclable material
Sliding sleeve	Stainless steel	Scrap metal collection
Reveal grille	Powder-coated stainless steel Powder-coated aluminium	Scrap metal collection

8 Guarantee and warranty

Guarantee

Outside Germany, the national guarantee provisions of the country in which the system is sold apply. Please contact the distributor for your country.

The guarantee covers all defects that were present at the time of purchase. Failure to observe the intended use will invalidate all warranty claims.

Manufacturer warranty

inVENTer GmbH provides a five-year warranty for all electrical components and the wall sleeve, as well as a 30-year warranty on the ceramic component of the thermal accumulator. This covers premature product wear.

Further information about the warranty is available at www.inventer.eu/gtcs.

9 Service

Claims

Check the delivery for completeness and transport damage upon receipt using the delivery note. Report missing items immediately, and at the latest within 14 days to your supplier, distributor or factory representative.

Warranty and guarantee claims

In the case of a warranty or guarantee claim, contact your local distributor or factory representative.

In all cases, please return the complete unit to the manufacturer.

The warranty is an additional offering by the manufacturer and in no way affects the applicable law.

Accessories and spare parts

To order components for your ventilation unit, contact your nearest factory outlet or our service staff.

Technical customer service

For technical support contact our service staff:



+49 (0) 36427 211-0



+49 (0) 36427 211-113



info@inventer.de

www.inventer.eu

inVENTer GmbH
Ortsstraße 4a
D-07751 Löberschütz
Germany
www.inventer.eu

Subject to modifications.
We accept no liability for printing errors.

Item number: 5050-0005
Version: 1.0 – 08/2023

