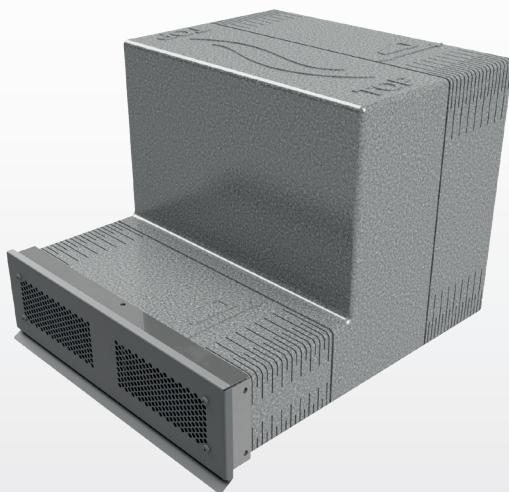




inVENTer

Installation instructions

Nordic external termination



Nordic façade termination
Nordic V-290x89 external grille

Trademarks, copyrights and property rights

inVENTer® is a registered trademark of inVENTer GmbH.

The copyright to this document remains with the manufacturer.

Rights to all content and images: © inVENTer GmbH 2021.

All trademarks used in this document are the property of their respective manufacturers and are hereby acknowledged.

Disclaimer

This documentation represents a translation of the original installation instructions. After completion of the installation its location must be given to the user (tenant, owner, property management, etc.).

The content of this documentation has been checked for compliance with the described components. Nevertheless deviations may still occur, therefore no guarantee of compliance can be provided. This documentation describes the functionality of the standard scope.

The documentation does not purport to cover all details on all types of the product and cannot cover every conceivable scenario for installation, assembly, operation, cleaning and care.

The illustrations in this document may differ slightly from the design of the product that you have purchased. The same functionality is ensured despite any design deviations.

This documentation is updated regularly. Necessary corrections and appropriate supplements are always included in subsequent editions. You can find the latest version at **www.inventer.de/downloads**.

Company information

Publisher:

inVENTer GmbH
Ortsstraße 4a
07751 Löberschütz
Germany

Phone: +49 (0) 36427 211-0
Fax: +49 (0) 36427 211-113
E-mail: info@inventer.de
Web: www.inventer.de

CEO: Annett Wettig
VAT ID number: DE 815494982
Jena District Court HRB 510380

Table of contents

1	User and safety instructions	4
1.1	User information	4
1.2	Safety instructions	5
2	Overview: Nordic external termination	7
2.1	Structure	7
2.2	Scale drawings	8
3	Preparing for installation	9
3.1	Minimum wall thicknesses required	9
3.2	Position of the wall opening.....	10
3.3	Sectional drawing of the installation setup	12
4	Installation and assembly	18
4.1	Checking the scope of supply.....	18
4.2	Installation instructions and requirements	19
4.3	Fitting the façade termination	19
4.4	Fitting the external grille	28
5	Technical data	29
6	Scope of supply	29
7	Disposal	29
8	Guarantee and warranty	30
9	Service	30

1 User and safety instructions

Thank you for purchasing this high quality product from inVENTer!

This section provides an overview of the basic safety precautions for safe and proper operation of your ventilation system.

1.1 User information

Safety and warning instructions

The safety and warning instructions in these installation and operating instructions have a uniform structure and are marked with a symbol on the left side of the instruction.

A signal word in front of the text also indicates the hazard level. If several hazard levels exist, the highest level safety instruction is always used.

The safety and warning instructions contain the following information:



SIGNAL WORD: Type and origin of the hazard. Possible consequences of the hazard!
Measures to avoid the hazard.

The signal word indicates the severity of the potential hazard unless the preventive measures are taken:



WARNING means: Possible danger of serious injury or death.



CAUTION means: Direct danger of minor/significant injury.



NOTICE means: Direct or possible risk of property damage due to an adverse event/state.

If you see these signs, ensure you observe the described measures to prevent possible hazards and/or damage.

Other symbols used in this documentation

In addition to the safety instructions, the following symbols are used:



A **TIP** symbol indicates practical and useful tips for handling your ventilation system.



Before each step, any additional tools and materials required for the activity are listed.



Red bar over a graphic: graphic shows the interior wall.



Blue bar over a graphic: graphic shows the exterior wall.

Action required: This prompts the user to perform a specific action.

⇒ **Check the results:** This requires you to check the results of the action you have performed.

1.2 Safety instructions

The installation instructions are part of your Nordic external termination and must be available at all times (see www.inventer.de/downloads). When handing the system to a third party, the information regarding access to the installation instructions must be handed over also. Before performing any work on the equipment / system, read the installation and operating instructions carefully and observe all information in this section regarding installation, operation, cleaning and care. Also note the safety instructions that precede the described handling instructions. Non-observance of safety instructions could result in injury and/or property damage.

Intended use

"Nordic" refers to an external termination for inVENTer ventilation units. The associated components must only be installed in combination with such units.

General information

- Always observe the relevant standards, regulations and guidelines when installing the components for this variant. In particular also applicable building regulations, fire safety regulations and accident prevention regulations of the employers' liability insurance association.
- Only use the components in accordance with the usage scenarios described in this documentation. Changes or modifications to the components are not permitted.
- Your ventilation system has been developed exclusively for use in ambient temperatures between -20 and +50 °C and the components of this installation variant must also only be used within this temperature range.
- Trouble-free and safe operation of the components of this installation variant depends on proper transportation, proper storage and installation, as well as careful cleaning and care.

Installation and assembly



- **CAUTION: The system may only be installed by qualified personnel.**
- Before starting work, you should have a project plan showing the number of ventilation units, the location of the ventilation units, the ventilation principle (cross ventilation, single room ventilation, extract ventilation) and the associated controllers. The exact positioning of the individual devices and control units must be checked at the installation site and, if necessary, adapted to the local conditions with the involvement of the responsible planner or user. For optimum functionality, installation is recommended in an appropriate place in the window's reveal area.
- **NOTICE:** Contamination of components, e.g. by plaster residue, will damage the components! Seal the air outlets so they are dust-tight throughout the construction work. Do not remove the thread locks, if present, until final assembly.
- **NOTICE:** Store components securely and do not throw them to avoid damage and breakage of the components.
- **NOTICE:** To install the façade termination, the minimum insulation thickness must be 120 mm (if necessary including air gap).
- **NOTICE:** In order to avoid algae growth around the façade termination/external grille, the instructions for installation must be followed exactly (apply all sealing tapes!). Insulation of at least 10 mm thickness must be applied to the flat duct when installing with a TICS thermal insulation composite system. We recommend a biocidal pre-treatment/ water-repellent pre-treatment of the façade surface around the façade termination/external grille. Consult your planner about this!



- **NOTICE:** When installing components in (exterior) walls with insulation, use insulation wallplugs to ensure that the components are securely fastened. Insulation wallplugs are not included in the scope of supply, they are available as an option!

Cleaning and care



- **CAUTION:** The care of components must not be carried out by children and/or persons who are not fully capable of doing so due to their physical, sensory or mental capabilities, inexperience or lack of knowledge. Young children should be supervised to ensure that they do not play with the equipment.



- **NOTICE:** Do not use strong cleaning agents or solvents. Use a soft, damp cloth or brush for cleaning.

Any kind of use other than the intended use will exclude all liability claims.

Improper use

Any use that is not mentioned in the intended use section, is considered to be improper.

Especially do not install the components in areas in which the following may occur:

- Environment containing strong oils or lubricants.
- Flammable, aggressive and corrosive gases, liquids or vapours.
- Extreme dust exposure.
- Ambient temperatures outside the range of -20 to 50 °C.

Qualified personnel

The components may only be set up, operated and cleaned in conjunction with this documentation.

Installation must only be carried out by trained professionals. Installation must not be carried out by children and/or persons who are not fully capable of doing so due to their physical, sensory or mental capabilities, inexperience or lack of knowledge.

2 Overview: Nordic external termination

The "Nordic" is a façade-flush external termination for inVENTer ventilation units. Its variable construction means that the façade termination is suitable for single-shelled (such as façades with facing bricks / clinker bricks) as well as for twin-shelled masonry (façades with a thermal insulation composite system [TICS]).

Also if no visible weather protection hood can be affixed to the exterior wall due to building regulations (e.g. listed building stipulations).

The Nordic external termination is intended for installation in insulation. The façade-flush external grille (white/grey/anthracite/custom colour) optimised for clinker brick height means that the ventilation units are integrated into the wall structure in a visually discreet manner. The Nordic external termination can be cut to size. It can be shortened if required and is therefore suitable for insulation thicknesses from 120 mm to 320 mm.

Components

- Nordic façade termination, can be cut to size, incl. adapter for accommodation of the wall sleeve
- Nordic sliding sleeve
- Nordic external grille

2.1 Structure

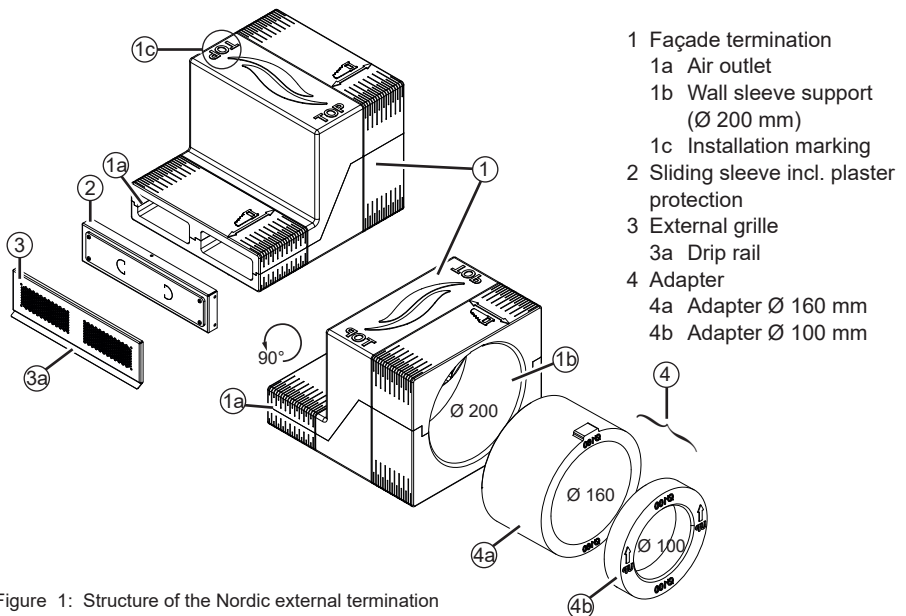


Figure 1: Structure of the Nordic external termination

2.2 Scale drawings

Nordic façade termination

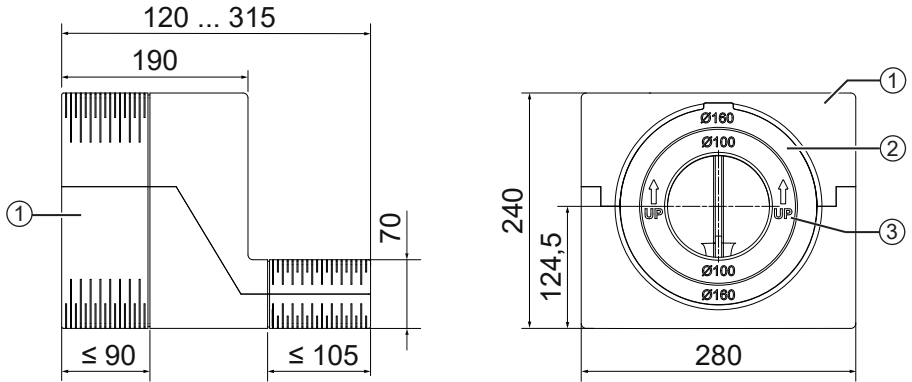


Figure 2: Nordic façade termination scale drawing

- 1 Façade termination
- 2 Wall sleeve adapter
(Ø 100 mm, Ø 160 mm, Ø 200 mm)
- 3 Installation marking

Sliding sleeve

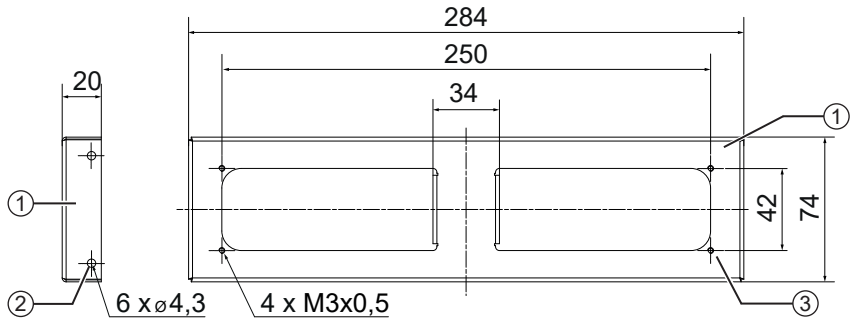


Figure 3: Scale drawing of sliding sleeve V-284x74x20

- 1 Sliding sleeve
- 2 Fixing holes
for façade termination (6 x)
- 3 Fixing holes for external grille (4 x)

External grille

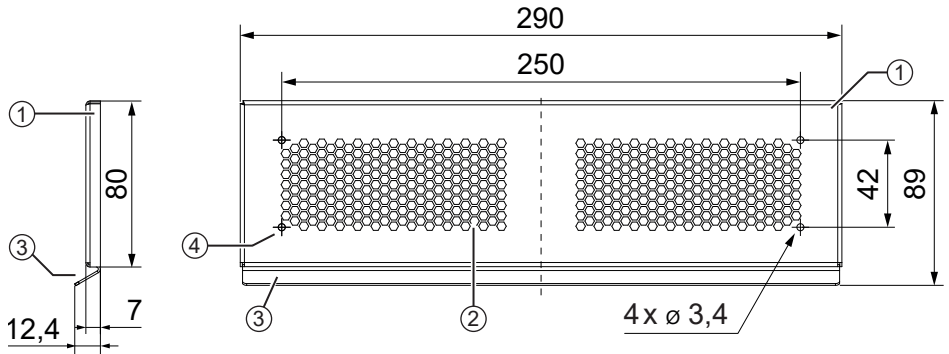


Figure 4: Scale drawing of Nordic V-290x89x12 external grille

- | | |
|-----------------------------|----------------------|
| 1 External grille | 3 Drip rail |
| 2 Honeycomb grid air outlet | 4 Fixing holes (4 x) |

3 Preparing for installation

3.1 Minimum wall thicknesses required

wall sleeve WEH Ø	Product	TICS insulation			Supplement with Connect use ⁴⁾ [mm]
		Minimum insulation thickness [mm] ¹⁾	Minimum total wall thickness [mm] ²⁾	Clinker brick structure (115 mm stones) Minimum total wall thickness [mm] ³⁾	
100	aV100 wall installation set with Nordic	120	280	385	
	aV100 ALD-Nordic		250	355	
160	aV160 ALD-Nordic		250	355	
	iV-Smart+ Nordic		370	475	+ 40
200	aV200 ALD-Nordic		250	355	
	iV14-MaxAir Nordic		370	475	
	iV14-Zero Nordic		370	475	+ 40
	iV-Twin+ Nordic		370	475	

1) including air gap, if applicable

2) Plaster + masonry + insulation + render

3) Plaster + masonry + insulation + air gap + 115 mm clinker brick

4) only necessary in conjunction with Connect UP inner cover and Undercover inner cover

3.2 Position of the wall opening

Wall sleeve Ø 100 mm

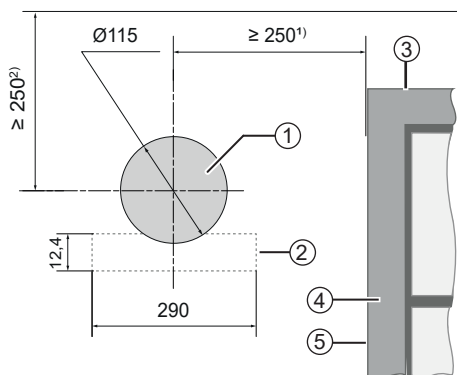


Figure 5: Scale drawing of wall opening for wall sleeve Ø 100 (interior view)

- | | |
|---------------------------------------|---------------------|
| 1 Wall opening | 4 Door/window frame |
| 2 Contour external grille | 5 Reveal |
| 3 Bottom edge of lintel ¹⁾ | |

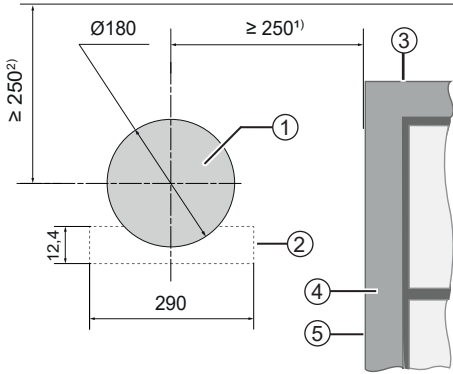
-
- 1) Observe the insulation thickness and possibly roller shutters on the exterior wall!
 2) Minimum distance to components on the exterior and interior wall

Dimensions

Designation	Depth/length [mm]	Width [mm]	Height [mm]
Wall opening for wall sleeve	–	Diam. 115	
Minimum wall thickness ¹⁾	160	–	
Insulation thickness	120 ... 315	–	
R-D103 wall sleeve	495 (745)	Diam. 103	
Nordic façade termination	120 ... 315	280	240
Nordic V-290x89 external grille	12	290	89

1) Masonry and plaster.

Wall sleeve Ø 160 mm



Wall sleeve Ø 200 mm

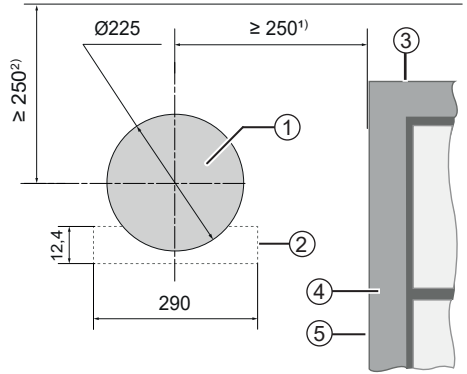


Figure 6: Scale drawing of wall opening for wall sleeve Ø 160 (interior view)

Figure 7: Scale drawing of wall opening for wall sleeve Ø 200 (interior view)

- 1 Wall opening
- 2 Contour external grille
- 3 Bottom edge of lintel¹⁾

- 4 Door/window frame
- 5 Reveal

1) Observe the insulation thickness and possibly roller shutters on the exterior wall.
 2) Minimum distance to components on the exterior and interior wall.

Dimensions

Designation	Depth/length [mm]	External termination Ø 160 mm		External termination Ø 200 mm	
		Width [mm]	Height [mm]	Width [mm]	Height [mm]
Wall opening for wall sleeve	–	Diam. 180		Diam. 225	
Minimum wall thickness ¹⁾	160	–			
Insulation thickness	120 ... 315	–			
Wall sleeve	495 (745)	Diam. 160		Diam. 200	
Nordic façade termination	120 ... 315	280	240	280	240
Nordic V-290x89 external grille	12	290	89	290	89

1) Masonry and plaster

3.3 Sectional drawing of the installation setup

Wall sleeve Ø 100 mm

Installation version 1: Twin-shell masonry with facing (clinker)

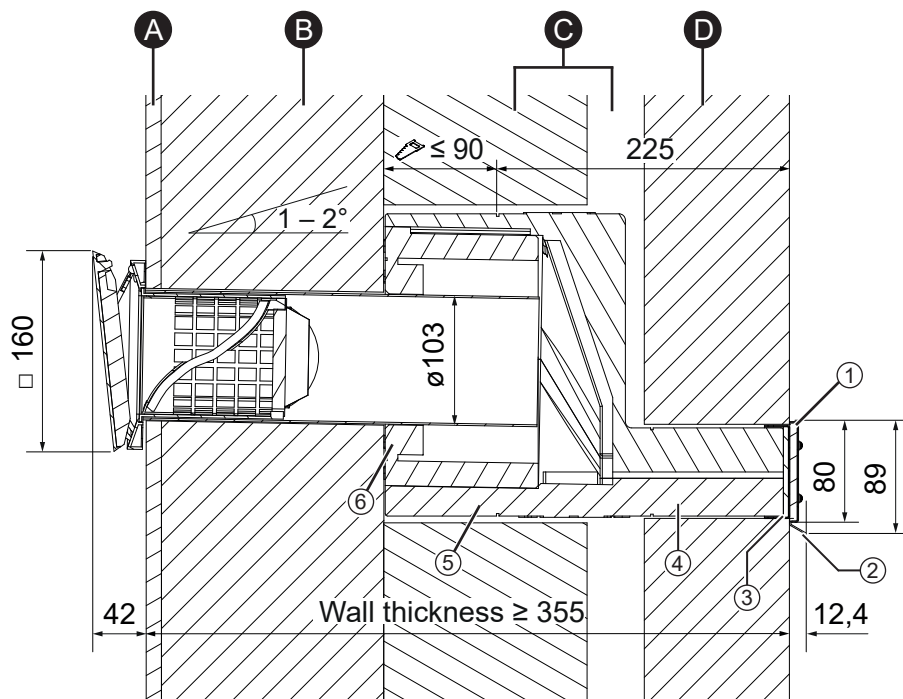


Figure 8: Sectional drawing showing the aV100 ALD Nordic ventilation unit (side view) as an example

- | | |
|--|---|
| A Plaster | 1 External grille with sealing tape |
| B Masonry | 2 Drip rail |
| C Insulation with optional air gap ¹⁾ | 3 Nordic sliding sleeve with sealing tape |
| D Facing brick/clinker | 4 Air outlet opening |
| | 5 Nordic façade termination ¹⁾ |
| | 6 Wall sleeve support: Adapter Ø 100 mm |

Installation length of Nordic façade termination (without sliding sleeve and sealing/water stop tapes):

$$L = (C + D) - 5 \quad | \quad 225 \leq (C + D) - 5 \leq 315$$

¹⁾ Minimum insulation thickness 120 mm.

²⁾ (C + D) must be min. 230 mm / max. 320 mm.

Installation version 2: Single-shell masonry with external thermal insulation composite system TICS

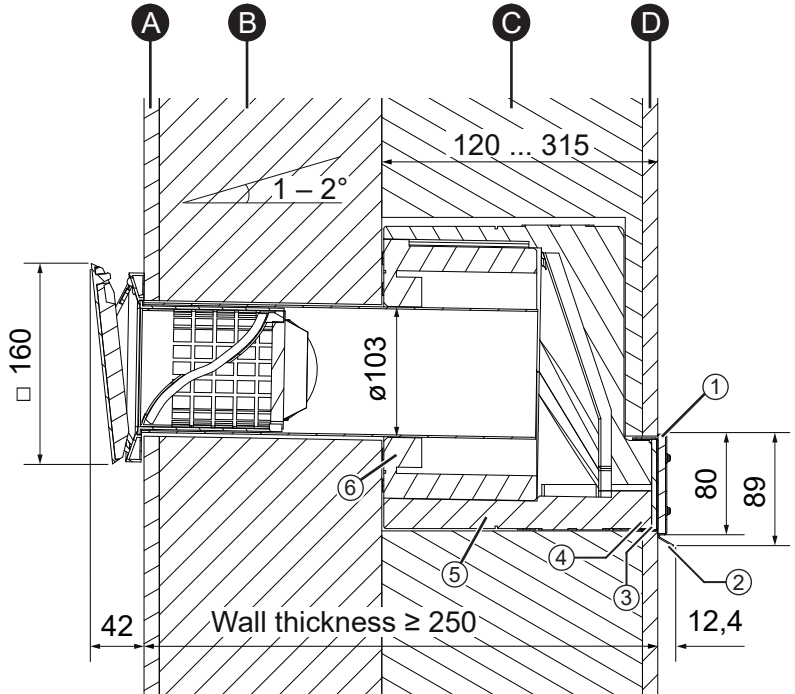


Figure 9: Sectional drawing showing the av100 ALD Nordic ventilation unit (side view) as an example

- | | |
|--|---|
| <p>A Plaster
 B Masonry
 C External thermal insulation composite system ETICS¹⁾
 D Render</p> | <p>1 External grille with sealing tape
 2 Drip rail
 3 Nordic sliding sleeve with sealing tape
 4 Air outlet opening
 5 Nordic façade termination²⁾
 6 Wall sleeve support: Adapter Ø 100 mm</p> |
|--|---|

Installation length of Nordic façade termination (without sliding sleeve and sealing/water stop tapes):

$$L = (C + D) - 5 \quad | \quad 120 \leq (C + D) - 5 \leq 315$$

1) The insulation thickness on the façade termination must be at least 10 mm.

2) (C + D) must be min. 125 mm / max. 320 mm.

Wall sleeve Ø 160 mm

Installation version 1: Twin-shell masonry with facing (clinker)

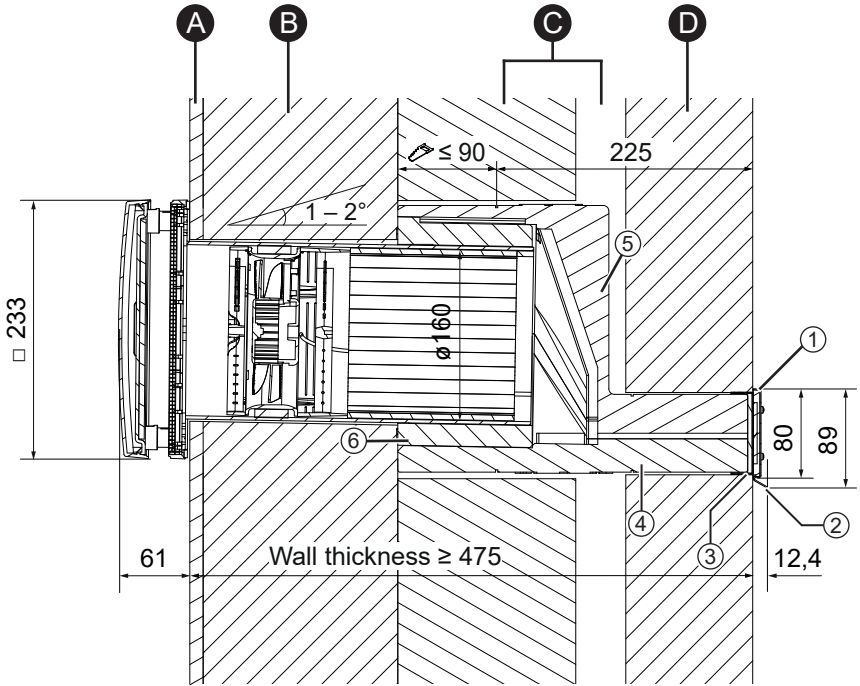


Figure 10: Sectional drawing showing the iv-Smart+ Nordic ventilation unit (side view) as an example

- | | |
|--|---|
| A Plaster | 5 External grille with sealing tape |
| B Masonry | 2 Drip rail |
| C Insulation with optional air gap ¹⁾ | 3 Nordic sliding sleeve with sealing tape |
| D Facing brick/clinker | 4 Air outlet opening |
| | 5 Nordic façade termination ²⁾ |
| | 6 Wall sleeve support: Adapter Ø 160 mm |

Installation length of façade termination (without sliding sleeve and sealing/water stop tapes):

$$L = (C + D) - 5 \quad | \quad 225 \leq (C + D) - 5 \leq 315$$

1) Minimum insulation thickness 120 mm.

2) (C + D) must be min. 230 mm / max. 320 mm.

Installation version 2: Single-shell masonry with external thermal insulation composite system TICS

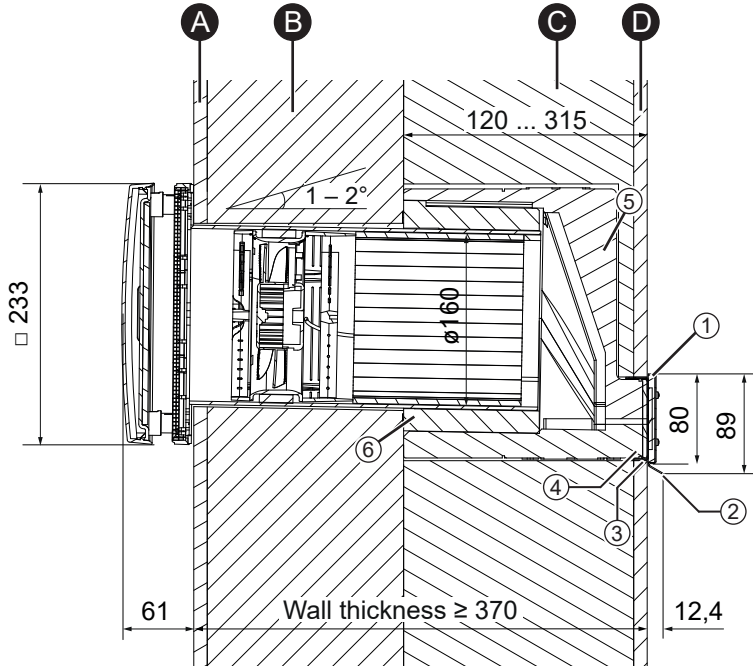


Figure 11: Sectional drawing showing the iv-Smart+ Nordic ventilation unit (side view) as an example

- | | |
|--|---|
| <p>A Plaster
 B Masonry
 C External thermal insulation composite system ETICS¹⁾
 D Render</p> | <p>1 External grille with sealing tape
 2 Drip rail
 3 Nordic sliding sleeve with sealing tape
 4 Air outlet opening
 5 Nordic façade termination²⁾
 6 Wall sleeve support: Adapter Ø 160 mm</p> |
|--|---|

Installation length of façade termination (without sliding sleeve and sealing/water stop tapes):

$$L = (C + D) - 5 \quad | \quad 120 \leq (C + D) - 5 \leq 315$$

1) The insulation thickness on the façade termination must be at least 10 mm.

2) (C + D) must be min. 125 mm / max. 320 mm.

Wall sleeve Ø 200 mm

Installation version 1: Twin-shell masonry with facing (clinker)

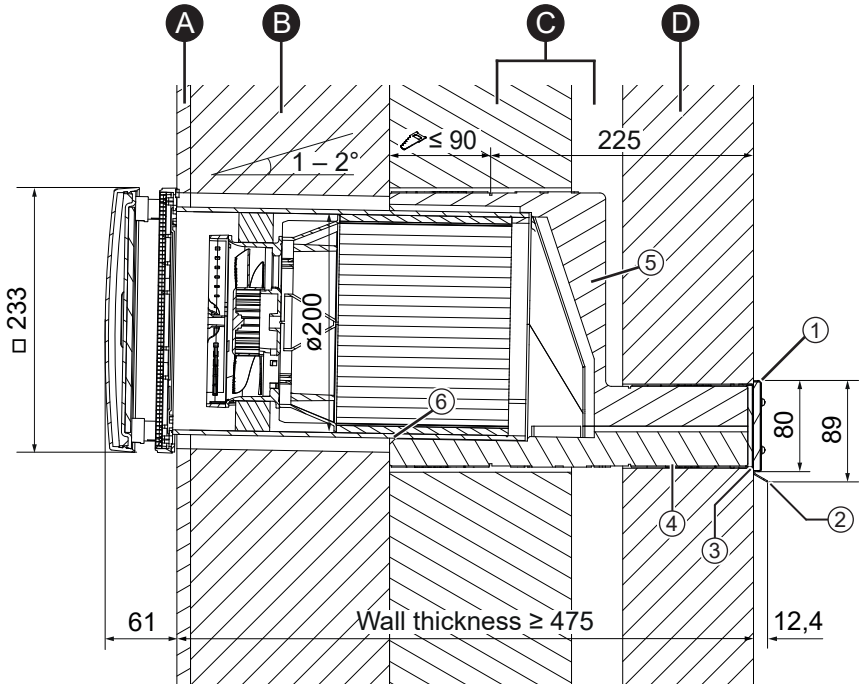


Figure 12: Sectional drawing showing the iv14-MaxAir Nordic ventilation unit (side view) as an example

- | | |
|--|------------------------------------|
| A Plaster | 5 External grille |
| B Masonry | 2 Drip rail |
| C Insulation with optional air gap ¹⁾ | 3 Nordic sliding sleeve |
| D Facing brick/clinker | 4 Air outlet opening |
| | 5 Façade termination ²⁾ |
| | 6 Wall sleeve support |

Installation length of façade termination (without sliding sleeve and sealing/water stop tapes):

$$L = (C + D) - 5 \quad | \quad 225 \leq (C + D) - 5 \leq 315$$

1) Minimum insulation thickness 120 mm.

2) (C + D) must be min. 230 mm / max. 320 mm.

Installation version 2: Single-shell masonry with external thermal insulation composite system TICS

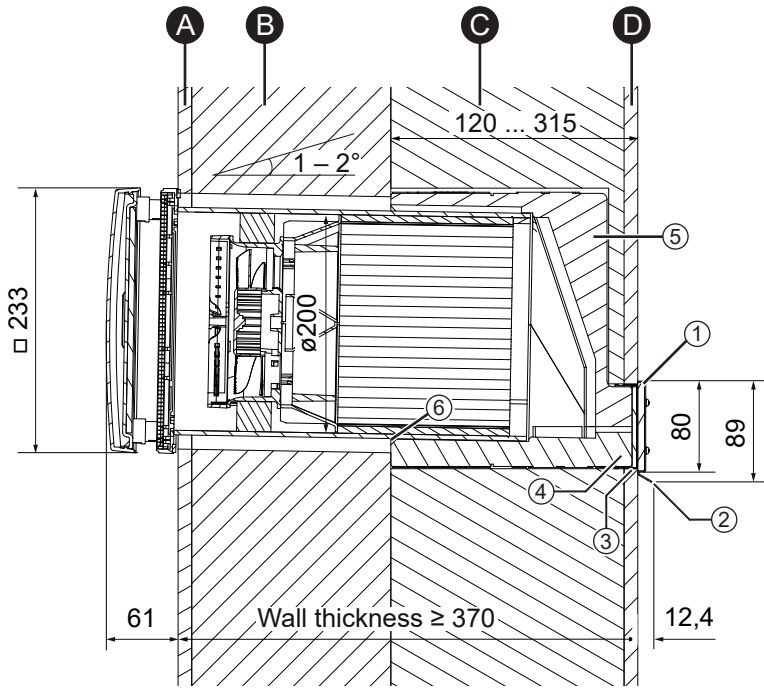


Figure 13: Sectional drawing showing the iV14-MaxAir Nordic ventilation unit (side view) as an example

- | | |
|--|------------------------------------|
| A Plaster | 1 External grille |
| B Masonry | 2 Drip rail |
| C External thermal insulation composite system ETICS ¹⁾ | 3 Nordic sliding sleeve |
| D Render | 4 Air outlet opening |
| | 5 Façade termination ²⁾ |
| | 6 Wall sleeve support |

Installation length of façade termination (without sliding sleeve and sealing/water stop tapes):

$$L = (C + D) - 5 \quad | \quad 120 \leq (C + D) - 5 \leq 315$$

1) The insulation thickness on the façade termination must be at least 10 mm.

2) (C + D) must be min. 125 mm / max. 320 mm.

4 Installation and assembly



Read the section carefully before installation to avoid installation errors.
 Assembly must be carried out by qualified personnel.

4.1 Checking the scope of supply

Check the delivery for completeness and transport damage upon receipt using the delivery note.
 Report missing items immediately.



The scope of supply of the Nordic external termination is made up of two delivery units:
 The Nordic façade termination with Nordic sliding sleeve, and a Nordic external grille.
 The external grille is available in various colours and must be ordered according to the specifically requested colour and properties.

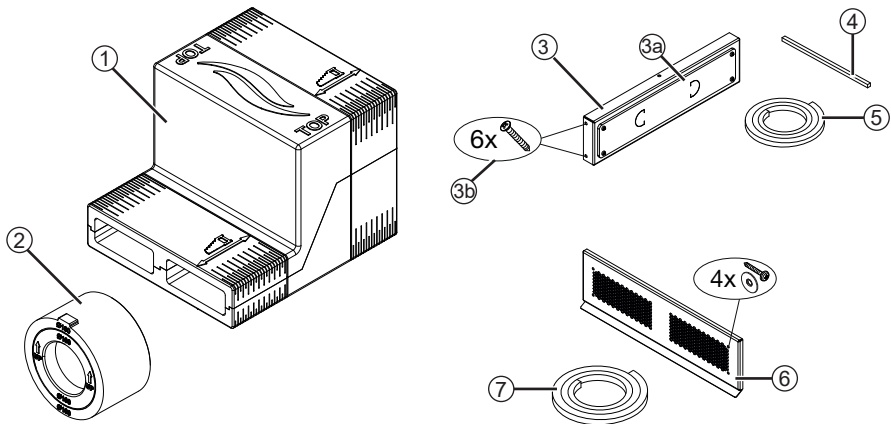


Figure 14: Scope of supply for the Nordic external termination

- | | |
|---|--|
| 1 Nordic façade termination | 6 External grille
incl. 4 fixing screws |
| 2 Adapter for wall sleeve
ø 160 mm and ø 200 mm | 7 Sealing tape 15 mm |
| 3 Sliding sleeve with
3a plaster protection (pre-fitted)
3b 6 fixing screws | |
| 4 End-stop tape | |
| 5 Sealing tape 15 mm | |

4.2 Installation instructions and requirements



NOTICE

Penetration of condensate and/or algae build-up around the façade termination, wall opening and external grille.

Damage to the masonry/external wall and/or discolouration of the façade!

- Secure sealing tape all the way around the external grille and sliding sleeve before installing the external termination.
- In the wall sleeve, attach end-stop tape toward the exterior wall and place the cut-out in the end-stop tape at the bottom in the centre of the wall sleeve. This step is not required when installing an iV-Twin+, iV14-MaxAir, aV100 wall installation set or aV100 ALD, since no end-stop tape is used with these!
- Before installation, carry out a biocidal pre-treatment/water-repellent pre-treatment of the plaster surface around the hood (consult your planner regarding this!)

Requirements:

The masonry is completed and even.

The wall sleeve matching your ventilation unit (Ø 100 mm, Ø 160 mm or Ø 200 mm) is installed.

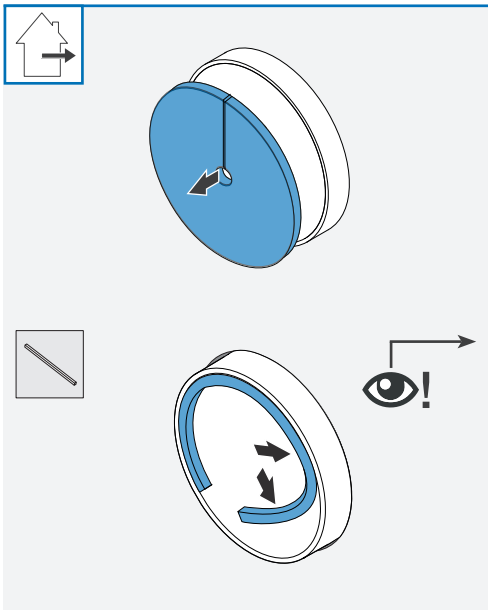


To install the wall sleeve, see the installation and operating instructions for your specific ventilation unit.

4.3 Fitting the façade termination



Spirit level, pen, cordless screwdriver, dowel, end-stop tape, sealing tape 10 mm, screws, saw



The wall sleeve Ø 160 mm is shown here, but the installation steps apply analogously (with the exceptions mentioned) to the wall sleeves Ø 100 mm and Ø 200 mm.

- ▶ Remove the protective discs from the wall sleeve on the exterior wall side.

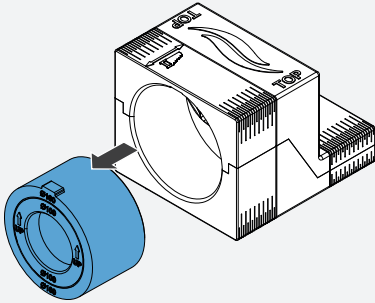


iV-Twin+, iV14-MaxAir, aV100 & aV100 ALD: With these ventilation units, **no** end-stop tape is secured in the wall sleeve.

- ▶ Secure the end-stop tape, 380 x 15 mm, on the exterior wall side in the upper area of the wall sleeve.

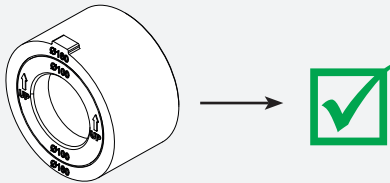
Make sure that the cut-out in the circumferential end-stop tape is placed in the lower area of the wall sleeve (condensate drip).

Select adapter



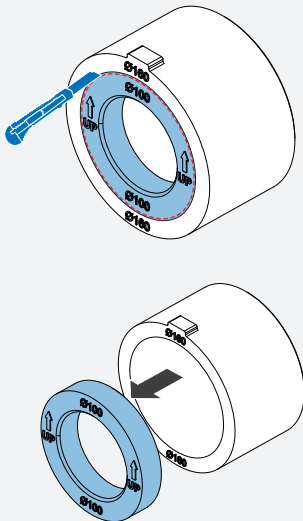
- ▶ Remove the adapter from the façade termination.

Wall sleeve Ø 100 mm



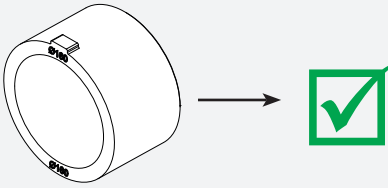
- ⇒ The complete adapter is used for installing your ventilation unit.

Wall sleeve Ø 160 mm



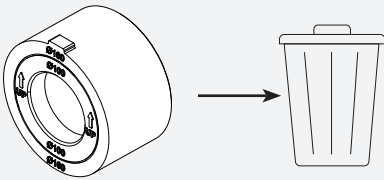
- ▶ Cut the inner ring circumferentially out of the adapter. Also **observe the** installation markings on the adapter.

- ▶ Remove the inner ring cut from the façade termination.

Wall sleeve Ø 160 mm

⇒ The larger ring on the adapter is used for installing the ventilation unit.

⇒ The smaller ring on the adapter is not needed; it can be disposed of.

Wall sleeve Ø 200 mm

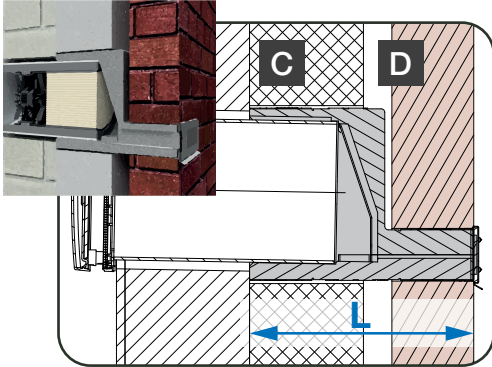
⇒ No adapter is used for installing your ventilation unit. The entire adapter is disposed of.

Cutting the façade termination and adapter to size



The wall sleeve \varnothing 160 mm is shown here for both installation variants, but the installation steps also apply analogously to the wall sleeves \varnothing 100 mm and \varnothing 200 mm.

Installation version 1: Twin-shell masonry with facing (clinker)



Requirements:

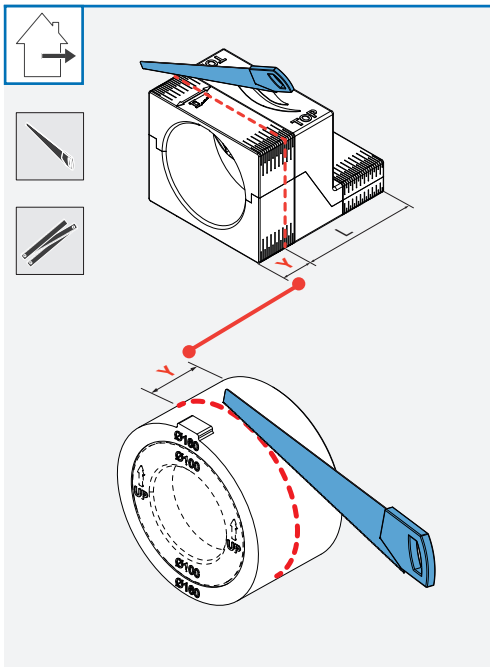
The adapter for your ventilation unit is selected.

- ▶ Determine the installation length:
 - Add the insulation thickness, any air gap and the thickness of the facing/clinker (C + D).
 - Remove 5 mm for the sliding sleeve with sealing tape to be fitted later.
- ⇒ You have determined the installation length L of the façade termination:
 - (C + D) - 5.



NOTICE: If it is no longer possible to integrate the air outlet into the facing brick/clinker, the ventilation unit will malfunction!

- Shorten the façade termination only on the masonry side, never on the air outlet. The façade termination serves as a support for the clinker bricks.



- ▶ Saw the façade termination to the determined installation length L:
 - Shorten the façade termination on the masonry side (Y) until the façade termination matches your calculated installation length L (Y max. 90 mm).

⇒ You have cut the façade termination to size.

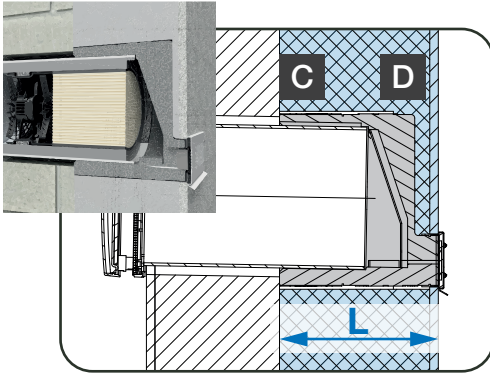


This step must only be carried out for wall sleeves \varnothing 100 mm and \varnothing 160 mm.

- ▶ Shorten the adapter required for the ventilation unit on the **side without the installation marking** by the offset on the masonry side (Y).

⇒ You have cut the adapter to size.

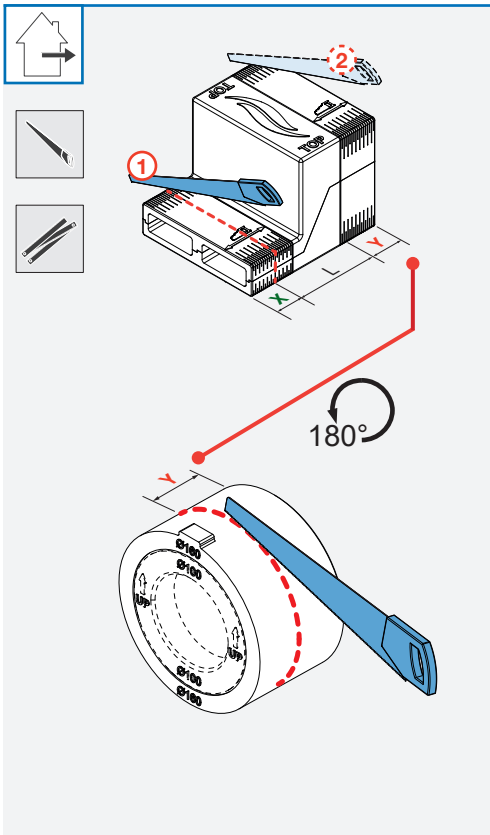
Installation version 2: Wall structure with insulation system TICS



Requirements:


The adapter for your ventilation unit is selected.

- ▶ Determine the installation length:
 - Add the insulation thickness and the thickness of the render (C + D).
 - Remove 5 mm for the sliding sleeve with sealing tape to be fitted later.
 - ⇒ You have determined the installation length L of the façade termination: $(C + D) - 5$.



- ▶ Saw the façade termination to the determined installation length L:
 - First shorten the façade termination on the side of the air outlet as far as possible (X, max. 105 mm), or until the façade termination matches your calculated installation length.
 - If this is not sufficient, shorten the façade termination on the masonry side (Y) until the façade termination matches your calculated installation length.

⇒ You have cut the façade termination to size.

 This step must only be carried out for wall sleeves \varnothing 100 mm and \varnothing 160 mm.

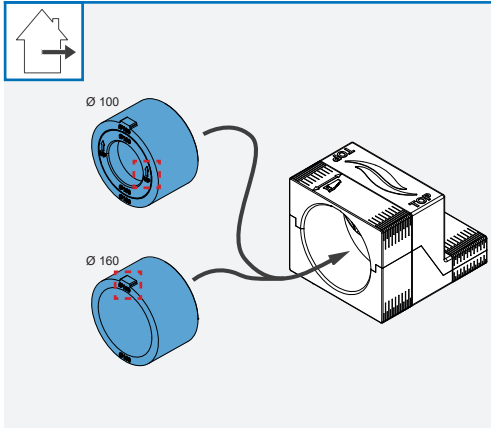
- ▶ Shorten the adapter required for the ventilation unit on the **side without the installation marking** by the offcut on the masonry side (Y).

⇒ You have cut the adapter to size.

Inserting the adapter into the façade termination



This step must only be carried out for wall sleeves \varnothing 100 mm and \varnothing 160 mm.



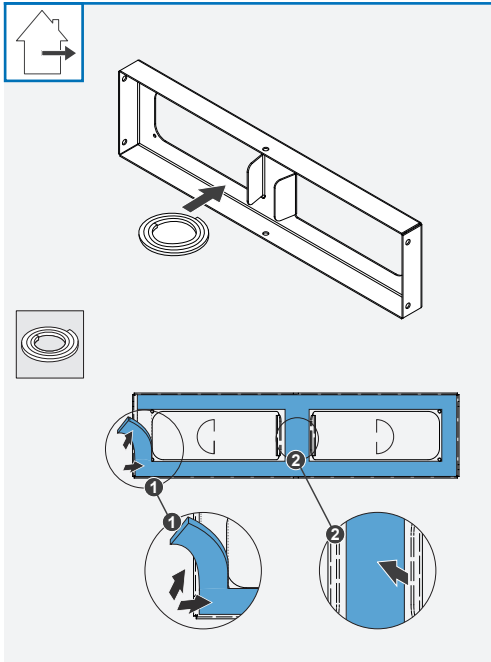
Requirements:

The façade termination and adapter are cut to the installation length.

- ▶ Insert the selected adapter into the façade termination.
 - Make sure that the installation marking on the adapter always points upwards:**
 - **Wall sleeve \varnothing 100 mm:** The arrows on the inner ring are pointing upwards.
 - **Wall sleeve \varnothing 160 mm:** The guide on the ring is aligned upwards.

- ⇨ The side with the installation markings faces the masonry (visible).
- ⇨ The adapter is inserted flush with the façade termination on the masonry side.

Fitting the sliding sleeve



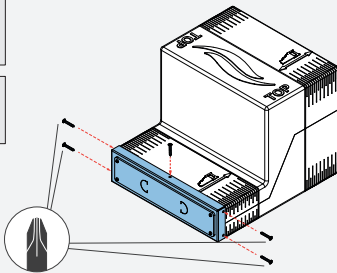
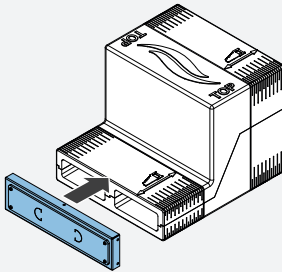
Requirements:

Adapters are inserted into the façade termination.



The 10 mm sealing tape is used. It is stuck into the interior of the sliding sleeve.

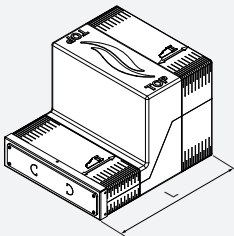
- ▶ Pull a piece of the protective film off the adhesive surface of the sealing tape and stick it at the level of the cut-out inside directly on the cut-out edge of the sliding sleeve.
- ▶ Secure the sealing tape all the way around along the cut-out edge on the inside of the sliding sleeve. To do this, gradually pull off the protective film from the adhesive surface of the sealing tape.
- ▶ Also secure the sealing tape on the inside to the sliding sleeve's central strut.



CHECK:



$$L = C + D$$



- ▶ Push the prepared sleeve all the way onto the façade termination's outlet opening until it stops.

Take care to ensure that you push the sleeve all the way until it stops.

- ▶ Screw the sliding sleeve at the top, bottom and sides to the flat duct.

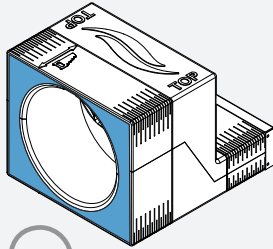
⇒ You have fitted the sliding sleeve with the sealing tape secured in place.



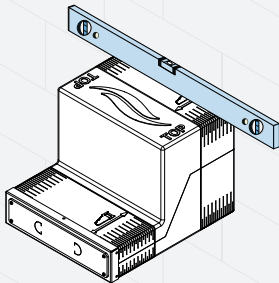
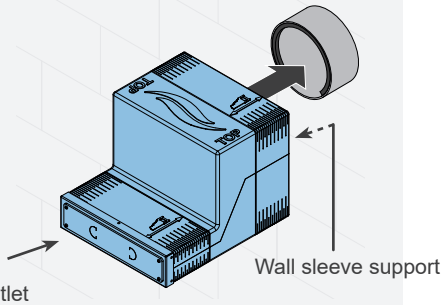
Check the cut length again to ensure it matches the length determined. **Ensure** that you measure up to the edge of the sliding sleeve. The plaster protection is not included in the measurement.

Securing the façade termination to the exterior wall

Option



180°



Requirements:

The sliding sleeve is installed.



The façade termination is pushed onto the wall sleeve and clamps firmly onto it; no additional fixing is required.

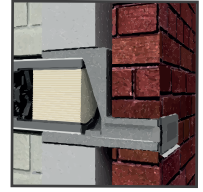
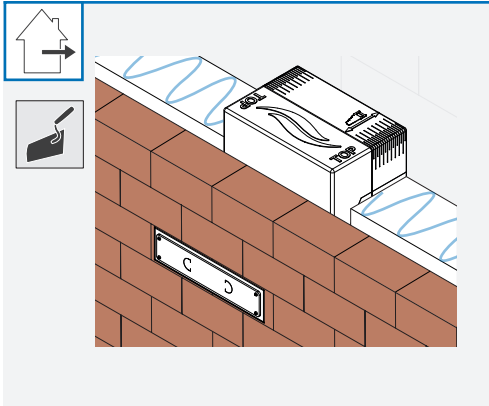
Alternatively, you can also glue the façade termination to the masonry. To do this, follow the instructions on how to use your specific façade adhesive.

- ▶ Slide the façade termination firmly onto the wall sleeve all the way up to the masonry. The façade termination is fitted without a slope. **Observe** the installation marking on the façade termination. The air outlet must always be directed towards the ground.

- ▶ Align the façade termination horizontally.

⇒ The façade termination is secured to the exterior wall.

Installation version 1: Wall structure with facing bricks (clinker)



Requirements:

The sliding sleeve is installed.

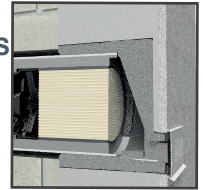
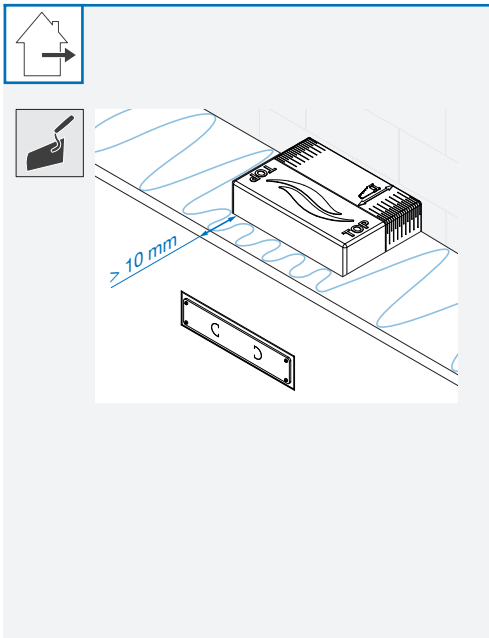
- ▶ Apply the insulation to the exterior wall.
- ▶ Create the clinker wall. The air outlet is integrated flush with the height of the sliding sleeve in the clinker.



TIP: When creating the clinker masonry, make sure that the sliding sleeve fits into the joint pattern. In this way, the later external grille also fits into the joint pattern.

⇒ The façade termination is integrated into the wall structure.

Installation version 2: Wall structure with insulation system TICS



Requirements:

The sliding sleeve is installed.



NOTICE: Insulation of at least 10 mm thickness must be applied to the façade termination

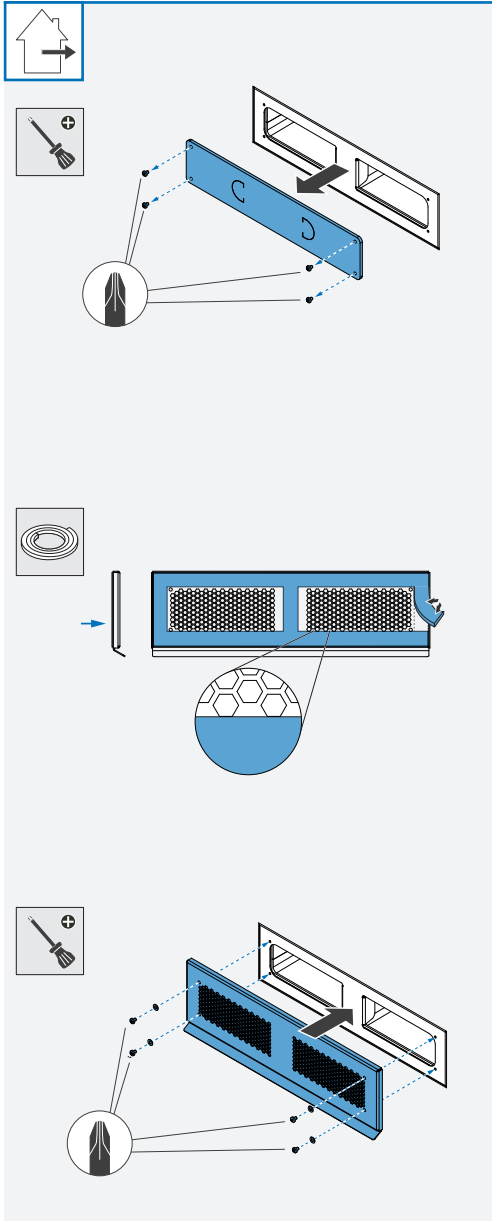
- ▶ Apply the insulation to the exterior wall. **Ensure** that at least 10 mm of insulation is applied to the façade termination.
- ▶ Apply the render to the insulation.
- ▶ Render the sliding sleeve flush with the render.

⇒ The façade termination is secured to the exterior wall.

4.4 Fitting the external grille



Screwdriver, 15 mm sealing tape, screws



Requirements:

The exterior wall is completed and even.
The façade termination is fitted.



NOTICE: If the external grille is installed on exterior walls that are not fully hardened, the exterior wall will be damaged!

- Only fit the external grille once the exterior wall is finished and has fully hardened.

- ▶ Remove the thread locks.
- ▶ Remove the plaster protection.



TIP: Do not apply the sealing tape until immediately before installing the external grille. This prevents the sealing tape from swelling too much and makes installation easier.

- ▶ Pull a piece of the protective film off the adhesive surface of the sealing tape and stick it at the bottom in the bending edge of the external grille.
- ▶ Fasten the sealing tape on the outside wall side all around along the bending edge on the inside in the external grille. **Be careful** not to stick the sealing tape over the pass-through drill holes (for fixing the external grille) and the grille honeycombs.
- ▶ Secure the sealing tape on the exterior wall side to the central lug between the external grille's grid honeycomb.
- ▶ Screw the external grille to the sliding sleeve. **Make sure** that the drip rail is directed towards the ground.

⇒ You have fitted the external grille.

⇒ The external termination is fitted.

5 Technical data



The technical data contained in the instructions for your specific ventilation unit apply. The use of the Nordic external termination results in the following standard sound level differences:

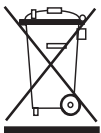
Ventilation unit	Standard sound level difference [dB]	Ventilation unit	Standard sound level difference [dB]
iV-Smart+ Nordic	42 – 51	aV100 Nordic wall installation set	38
iV14-Zero Nordic	49 – 55	aV100 ALD Nordic	51 – 53
iV14-MaxAir Nordic	46 – 53	aV160 ALD Nordic	52
iV-Twin+ Nordic	45 – 53	aV200 ALD Nordic	56

6 Scope of supply

All components are also available as spare parts.

Component	Item number
Nordic façade termination	1506-0138
Nordic V-290x89 white external grille - RAL 9016	1508-0197
Nordic V-290x89 grey external grille - RAL9006	1508-0198
Nordic V-290x89 Nord external grille - RAL7011	1508-0199
Nordic V-290x89 Anth external grille - RAL7016	1508-0200
Nordic V-290x89 custom colour external grille	1508-0201

7 Disposal



The products described in these installation instructions contain valuable materials which can be recovered and recycled. The separation of waste materials into different varieties facilitates recovery of the recyclable materials. Contact your local authority disposal company to arrange environmentally friendly recycling and disposal of your old system. They will dispose of the product in compliance with the applicable national regulations. Ensure that the product's packaging is sorted correctly for disposal.

The table below contains disposal recommendations.

Component	Material	Disposal
Façade termination	Neopor / EPS	Recyclable material
Sliding sleeve	steel	Scrap metal collection
External grille	Powder-coated aluminium	Scrap metal collection

8 Guarantee and warranty

Guarantee

Outside Germany, the national guarantee provisions of the country in which the system is sold apply. Please contact the distributor for your country.

The guarantee covers all defects that were present at the time of purchase. Failure to observe the intended use will invalidate all warranty claims.

Manufacturer warranty

inVENTer GmbH provides a five-year warranty for all electrical components and the wall sleeve, as well as a thirty-year warranty for the ceramic component of the thermal accumulator. This covers premature product wear.

Further information about the warranty is available at www.inventer.de/garantie

9 Service

Claims

Check the delivery for completeness and transport damage upon receipt using the delivery note. Report missing items immediately, and at the latest within 14 days to your supplier, distributor or factory representative.

Warranty and guarantee claims

In the case of a warranty or guarantee claim, contact your local distributor or factory representative.

In all cases, please return the complete unit to the manufacturer.

The warranty is an additional offering by the manufacturer and in no way affects the applicable law.

Accessories and spare parts

To order components for your ventilation unit, contact your nearest distributor or our service staff.

Technical customer service

For technical support contact our service staff:



+49 (0) 36427 211-0



+49 (0) 36427 211-113



info@inventer.de

<http://www.inventer.de>

inVENTer GmbH
Ortsstraße 4a
D-07751 Löberschütz
Germany
www.inventer.eu

Subject to modifications.
We accept no liability for printing errors.

Item number: 5050-0006
Version: 1.0 – 04/2021

